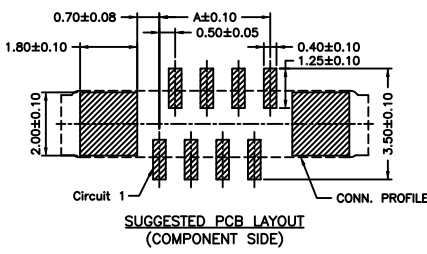


P/N LEGEND

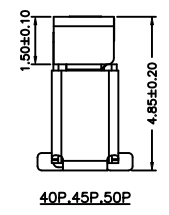
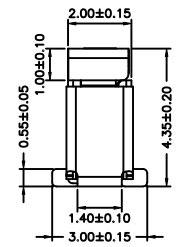
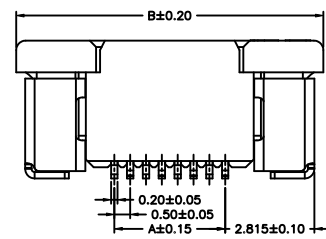
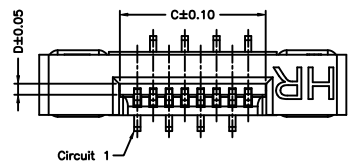
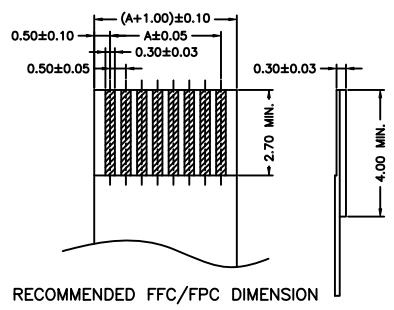
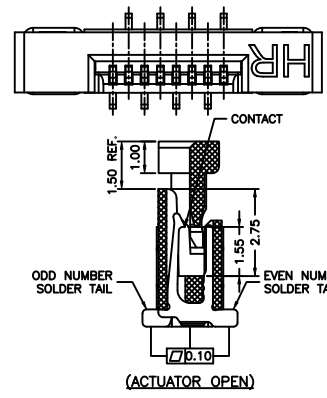
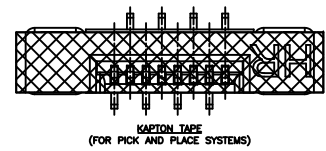
- F0500 WV-S-XP N L N XX X 00 X  
 ① ② ③ ④ ⑤ ⑥ ⑦ ⑧ ⑨ ⑩ ⑪
- ① Series No.
  - ② Connector type: WV=Vertical
  - ③ Mounting type: S=SMT
  - ④ No. of circuits
  - ⑤ N=Halogen Free
  - ⑥ Material: L=LCP
  - ⑦ Color: N=Natural(Beige)
  - ⑧ Plating code for contacts:  
T1=Matte Tin-plated; G1=Gold-flash
  - ⑨ Plating code for solder tabs:  
T=Matte Tin-plated; G=Gold-flash
  - ⑩ Option code: 00=Standard
  - ⑪ Packing code:  
L=Tape & Reel(With Mylar)  
R=Tape & Reel(Without Mylar)

SPECIFICATIONS

Current Rating: 0.5A AC,DC  
 Voltage Rating: 50V AC,DC  
 Temperature Range: -25°C ~ +85°C  
 Contact Resistance: 30mΩ Max.  
 Insulation Resistance: 100MΩ Min.  
 Withstanding Voltage: 250V AC/minute  
 Contacts: Phosphor Bronze/Matte Tin-plated or Gold-flash 1u"  
 Solder Tabs: Brass/Matte Tin-plated or Gold-flash 1u"  
 Housing: LCP,UL94V-0,Natural(Beige)  
 Actuator: Nylon 6T,UL94V-0,Natural(Black)



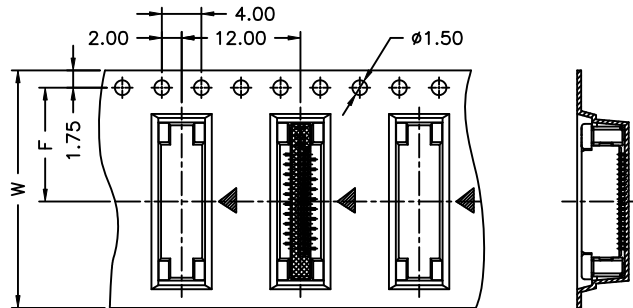
Circuit No.	Dimensions				Circuit No.	Dimensions			
	A	B	C	D		A	B	C	D
04P	1.50	7.70	2.60	0.300	25P	12.00	18.20	13.10	0.350
05P	2.00	8.20	3.10	0.300	26P	12.50	18.70	13.60	0.350
06P	2.50	8.70	3.60	0.300	27P	13.00	19.20	14.10	0.350
07P	3.00	9.20	4.10	0.350	28P	13.50	19.70	14.60	0.350
08P	3.50	9.70	4.60	0.350	29P	14.00	20.20	15.10	0.350
09P	4.00	10.20	5.10	0.350	30P	14.50	20.70	15.60	0.350
10P	4.50	10.70	5.60	0.350	31P	15.00	21.20	16.10	0.350
11P	5.00	11.20	6.10	0.350	32P	15.50	21.70	16.60	0.350
12P	5.50	11.70	6.60	0.350	33P	16.00	22.20	17.10	0.350
13P	6.00	12.20	7.10	0.350	34P	16.50	22.70	17.60	0.350
14P	6.50	12.70	7.60	0.350	35P	17.00	23.20	18.10	0.350
15P	7.00	13.20	8.10	0.350	36P	17.50	23.70	18.60	0.350
16P	7.50	13.70	8.60	0.350	37P	18.00	24.20	19.10	0.350
17P	8.00	14.20	9.10	0.350	38P	18.50	24.70	19.60	0.350
18P	8.50	14.70	9.60	0.350	39P	19.00	25.20	20.10	0.350
19P	9.00	15.20	10.10	0.350	40P	19.50	25.70	20.60	0.350
20P	9.50	15.70	10.60	0.350	45P	22.00	28.20	23.10	0.350
21P	10.00	16.20	11.10	0.350	49P	24.00	30.20	25.10	0.350
22P	10.50	16.70	11.60	0.350	50P	24.50	30.70	25.60	0.350
23P	11.00	17.20	12.10	0.350	51P	25.00	31.20	26.10	0.350
24P	11.50	17.70	12.60	0.350					



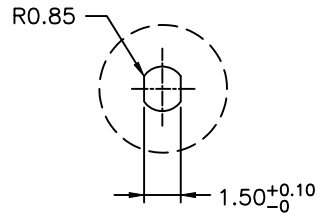
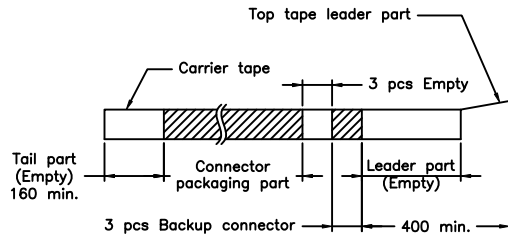
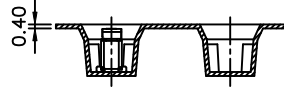
燦達電子工業股份有限公司 JOINT TECH ELECTRONIC IND. CO., LTD.				UNIT	SCALE	SHEET	TITLE:
				mm	1 : 1	1 of 3	
DRAWN BY		APPROVED BY		0.50mm PITCH FFC/FPC CONNECTOR 180° SMT TYPE, ZIF			
權生新		董正一					
2012.08.01		2012.08.01		DRAW NO. : F0500WV-S-XPNXXXXXXXXX			
GENERAL TOLERANCE				REV. A1			
A1	EN1507010002	2015.07.02	李志深	X.X±0.25	ANGLE±		
A0	NEW RELEASE	2012.08.01	權生新	X.XX±0.15			
REV.	DESCRIPTION	DATE	NAME	X.XXX±0.05			



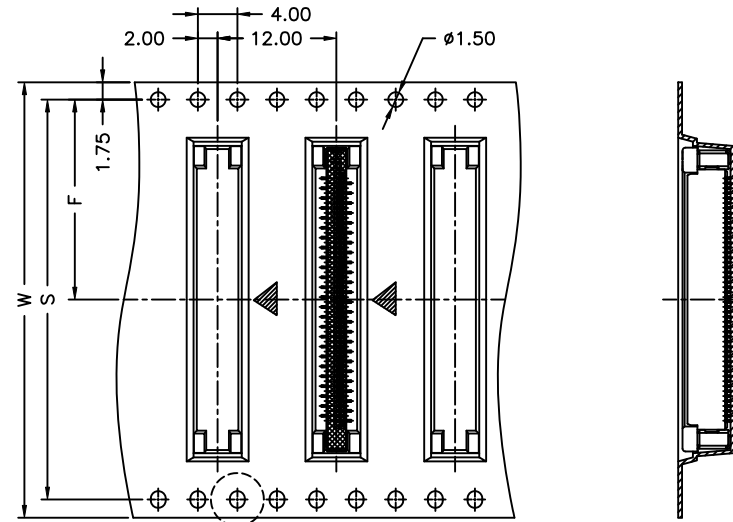
04~21 Contacts



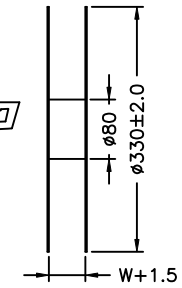
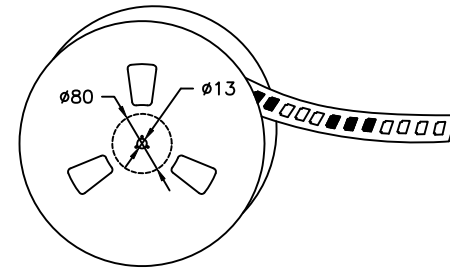
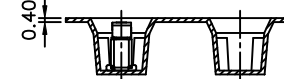
Unreeling direction →



22~51 Contacts



Unreeling direction →

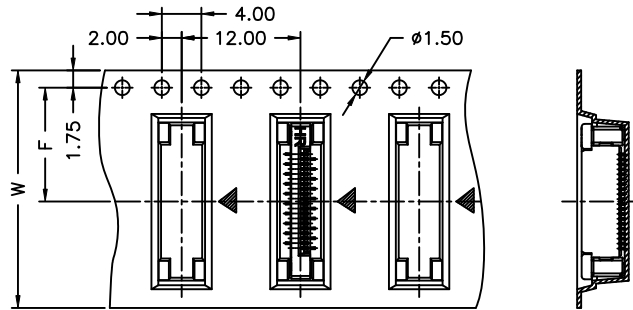


Number of Contacts	W±0.3	F±0.1	S±0.1	Q'ty/Reel	Number of Contacts	W±0.3	F±0.1	S±0.1	Q'ty/Reel
04P	16	7.50	28.40	1,000	25P	32	14.20	28.40	1,000
05P	24	11.50		26P	32	14.20	28.40	1,000	
06P	24	11.50		27P	32	14.20	28.40	1,000	
07P	24	11.50		28P	32	14.20	28.40	1,000	
08P	24	11.50		29P	32	14.20	28.40	1,000	
09P	24	11.50		30P	32	14.20	28.40	1,000	
10P	24	11.50		31P	32	14.20	28.40	1,000	
11P	24	11.50		32P	32	14.20	28.40	1,000	
12P	24	11.50		33P	44	20.20	40.40	1,000	
13P	24	11.50		34P	44	20.20	40.40	1,000	
14P	24	11.50		35P	44	20.20	40.40	1,000	
15P	24	11.50		36P	44	20.20	40.40	1,000	
16P	24	11.50		37P	44	20.20	40.40	1,000	
17P	24	11.50		38P	44	20.20	40.40	1,000	
18P	24	11.50		39P	44	20.20	40.40	1,000	
19P	24	11.50		40P	44	20.20	40.40	1,000	
20P	24	11.50		45P	44	20.20	40.40	1,000	
21P	24	11.50		49P	44	20.20	40.40	1,000	
22P	32	14.20		50P	44	20.20	40.40	1,000	
23P	32	14.20		51P	44	20.20	40.40	1,000	
24P	32	14.20							

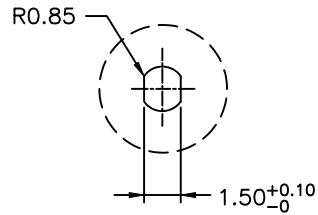
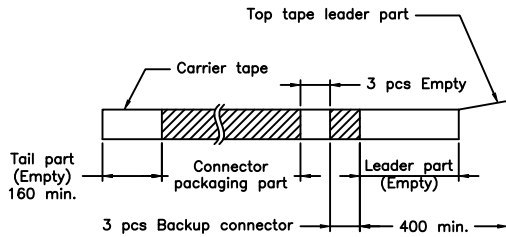
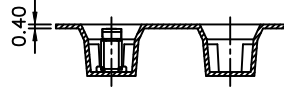
				UNIT	SCALE	SHEET	TITLE:
				mm	1 : 1	2 of 3	
DRAWN BY 權生新 2012.08.01				APPROVED BY 董正一 2012.08.01		0.50mm PITCH FFC/FPC CONNECTOR 180°SMT TYPE, ZIF, TAPING SPEC.	
A1	EN1507010002	2015.07.02	李志深	X.X±0.25	ANGLE±	DRAW NO. : F0500WV-S-XPXXXXXXX	
A0	NEW RELEASE	2012.08.01	權生新	X.XX±0.15			
REV.	DESCRIPTION	DATE	NAME	X.XXX±0.05		REV.	A1



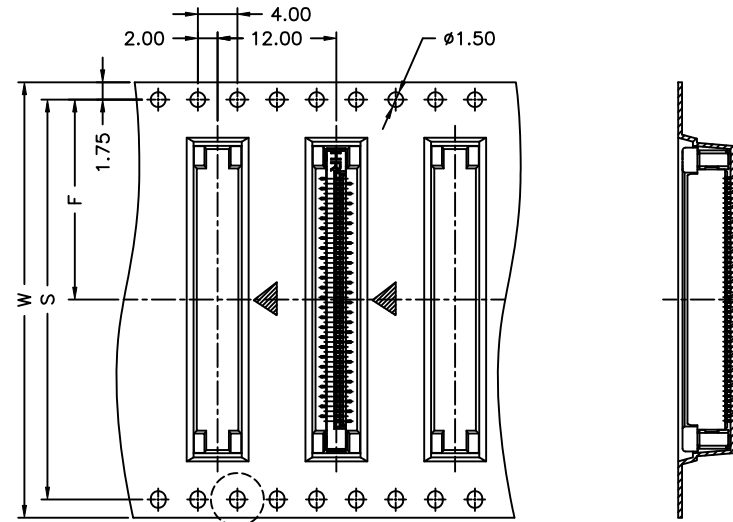
04~21 Contacts



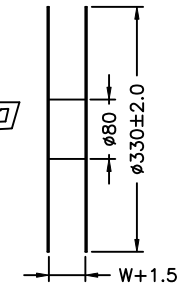
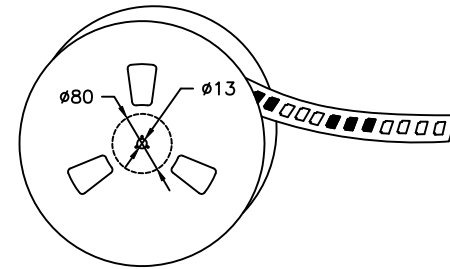
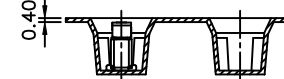
Unreeling direction →



22~51 Contacts



Unreeling direction →



Number of Contacts	W±0.3	F±0.1	S±0.1	Q'ty/Reel	Number of Contacts	W±0.3	F±0.1	S±0.1	Q'ty/Reel
04P	16	7.50	28.40	1,000	25P	32	14.20	28.40	1,000
05P	24	11.50		26P	32	14.20	28.40	1,000	
06P	24	11.50		27P	32	14.20	28.40	1,000	
07P	24	11.50		28P	32	14.20	28.40	1,000	
08P	24	11.50		29P	32	14.20	28.40	1,000	
09P	24	11.50		30P	32	14.20	28.40	1,000	
10P	24	11.50		31P	32	14.20	28.40	1,000	
11P	24	11.50		32P	32	14.20	28.40	1,000	
12P	24	11.50		33P	44	20.20	40.40	1,000	
13P	24	11.50		34P	44	20.20	40.40	1,000	
14P	24	11.50		35P	44	20.20	40.40	1,000	
15P	24	11.50		36P	44	20.20	40.40	1,000	
16P	24	11.50		37P	44	20.20	40.40	1,000	
17P	24	11.50		38P	44	20.20	40.40	1,000	
18P	24	11.50		39P	44	20.20	40.40	1,000	
19P	24	11.50		40P	44	20.20	40.40	1,000	
20P	24	11.50		45P	44	20.20	40.40	1,000	
21P	24	11.50		49P	44	20.20	40.40	1,000	
22P	32	14.20		50P	44	20.20	40.40	1,000	
23P	32	14.20		51P	44	20.20	40.40	1,000	
24P	32	14.20							

				UNIT	SCALE	SHEET	TITLE:
				mm	1 : 1	3 of 3	
DRAWN BY 權生新 2012.08.01				APPROVED BY 董正一 2012.08.01		0.50mm PITCH FFC/FPC CONNECTOR 180°SMT TYPE, ZIF, TAPING SPEC.	
A1	EN1507010002	2015.07.02	李志深	X.X±0.25	ANGLE±	DRAW NO. : F0500WV-S-XPXXXXXXX	
A0	NEW RELEASE	2012.08.01	權生新	X.XX±0.15			
REV.	DESCRIPTION	DATE	NAME	X.XXX±0.05		REV.	A1