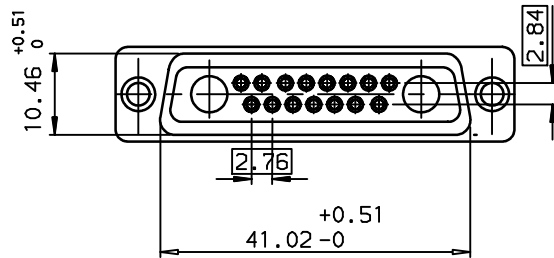
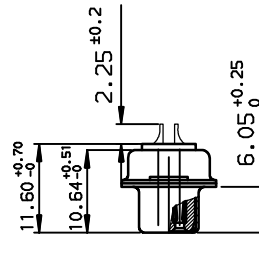
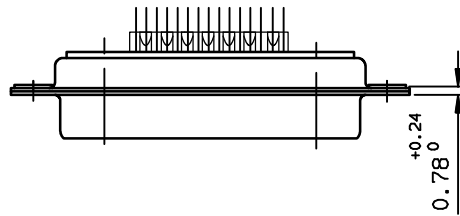
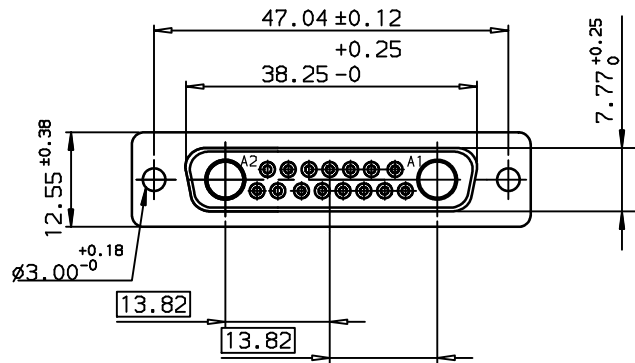




Copyright FCI.



TIN LEAD PART NUMBER

DB17W2SA00
PART NUMBER

LEAD FREE PART NUMBER

DB17W2SA00LF
PART NUMBER

GENERAL CHARACTERISTICS AND ROHS INFORMATIONS:
SEE DRAWING C01-8639-0003

European Views

www.fciconnect.com		surface ISO 1302 ✓	tolerance std ISO 406 ISO 1101	projection 	mm ↔
TOLERANCES UNLESS OTHERWISE SPECIFIED					
Dr	JARRY	1995/05/11	ANGULAR	0.x ±0.1	size A3
Eng	PESSON	1995/05/11	LINEAR	0.xx ±0.1	Scale 1.5
Chr	LEGARE	1995/05/11	0.xx* ±2*	0.xxx ±0.1	ECN LS06-0095
Appr	LEGARE	1995/05/11	Product family	D-SUB	Spec ref -
			SOCKET CONNECTOR FOR TWO POWERS CONTACTS		Rev. D
catalog no			-		C01-8639-0581 CUSTOMER sheet 1 of 1

rev	ecn no	dr	date
B	-	BAR	2003/10/29
C	LS05-005	MPE	2005/03/16
D	LS06-0095	LGO	2006/07/19
-	-	-	-
-	-	-	-
-	-	-	-

REV F - 2006-04-17