

# Honeywell



## 73JA2K

**73 Series Precision Potentiometer, Wire Wound Element, Solder lug Terminals, 2 W Power Rating, 2 kOhm Resistance Value**

*Representative photograph, actual product appearance may vary.*

*Due to regional agency approval requirements, some products may not be available in your area. Please contact your regional Honeywell office regarding your product of choice.*

### Features

- Robust nickel-plated brass shaft and bushings
- Wirewound element
- Linear taper
- 10-turn construction

### Typical Applications

- Manual controls

### Description

The 73 Series is a precision type potentiometer made with a wirewound element. It offers 10 turns for higher resolution and accurate output. It has a power rating of 2 watts.

# Honeywell

## 73JA2K

**73 Series Precision Potentiometer, Wire Wound Element, Solder lug Terminals, 2 W Power Rating, 2 kOhm Resistance Value**

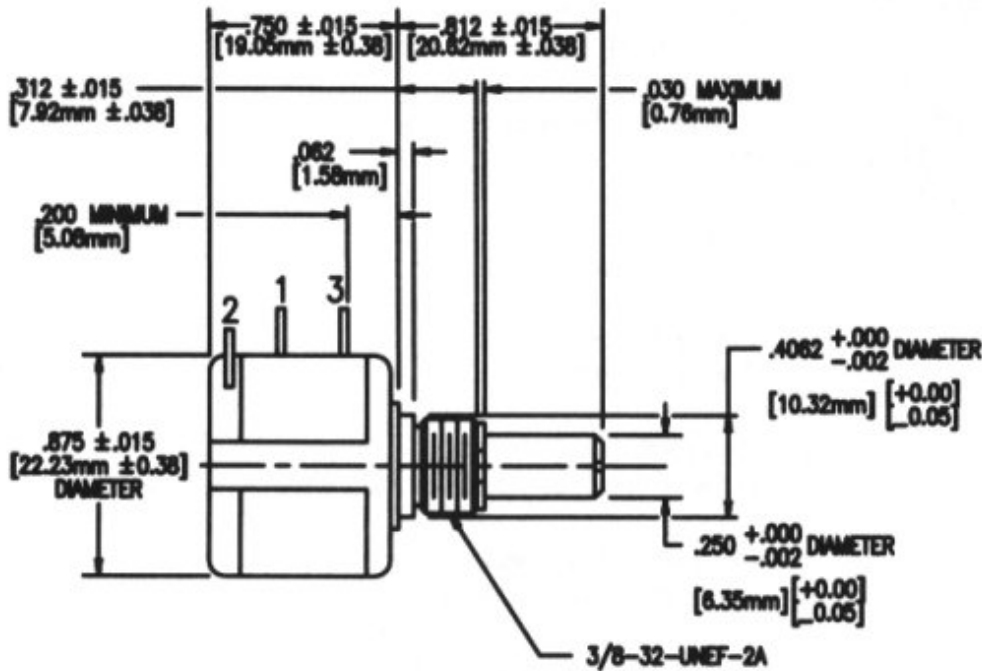
| Product Specifications |                                |
|------------------------|--------------------------------|
| Potentiometer Type     | Precision                      |
| Element Type           | Wire Wound                     |
| Terminal Type          | Solder lug                     |
| Power Rating           | 2 W                            |
| Turns                  | 10                             |
| Resistance Value       | 2 kOhm                         |
| Resistance Tolerance   | ± 5 %                          |
| Linearity              | ± 0.25 %                       |
| Bushing Thread         | 9,53 mm [0.375 in] x 32 NEF-2A |
| Bushing length         | 7,92 mm [0.312 in]             |
| Bushing Type           | Standard                       |
| Shaft Diameter         | 6,35 mm [0.25 in]              |
| Shaft length           | 20,62 mm [0.812 in]            |

|                        |  |
|------------------------|--|
| Shaft Ending           | Slotted  |
| Body                   | 22.23 mm [0.875 in] diameter, ± 0.79 mm [0.031 in] |
| Electrical Taper       | Linear   |
| Operating Temperature  | -40 °C to 120 °C [-40 °F to 248 °F]                |
| Working Voltage (Max.) | 500 V  |
| Rotational Life        | 50000 cycles                                       |
| Mechanical Rotation    | 3600°  |
| Availability           | Global   |
| Series Name            | 73 Series  |
| UNSPSC Code            | 4111363300   |
| UNSPSC Commodity       | 4111363300 Potentiometers                          |

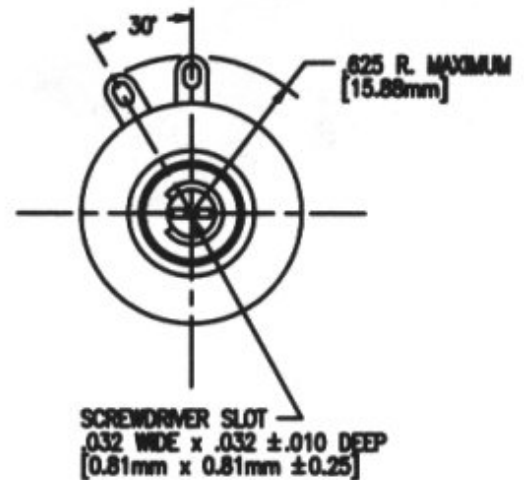


## 73JA2K

73 Series Precision Potentiometer, Wire Wound Element, Solder lug Terminals, 2 W Power Rating, 2 kOhm Resistance Value



For Reference Only



## 73JA2K

73 Series Precision Potentiometer, Wire Wound Element, Solder lug Terminals, 2 W Power Rating, 2 kOhm Resistance Value

**⚠ WARNING**

**PERSONAL INJURY**

DO NOT USE these products as safety or emergency stop devices, or in any other application where failure of the product could result in personal injury.

**Failure to comply with these instructions could result in death or serious injury.**

**⚠ WARNING**

**MISUSE OF DOCUMENTATION**

- The information presented in this product sheet (or catalog) is for reference only. DO NOT USE this document as product installation information.
- Complete installation, operation and maintenance information is provided in the instructions supplied with each product.

**Failure to comply with these instructions could result in death or serious injury.**

© Copyright Honeywell Inc.1998-2004 All rights reserved.