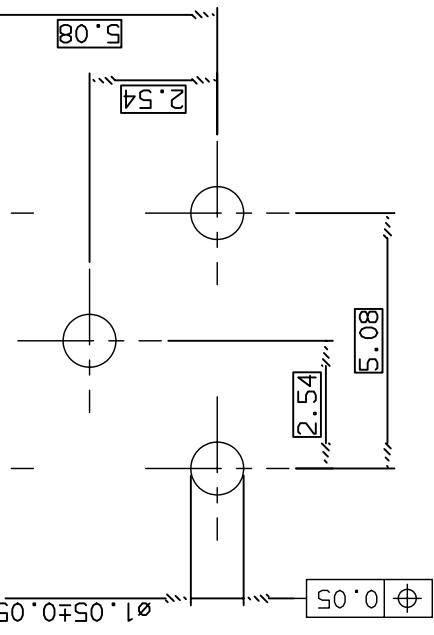
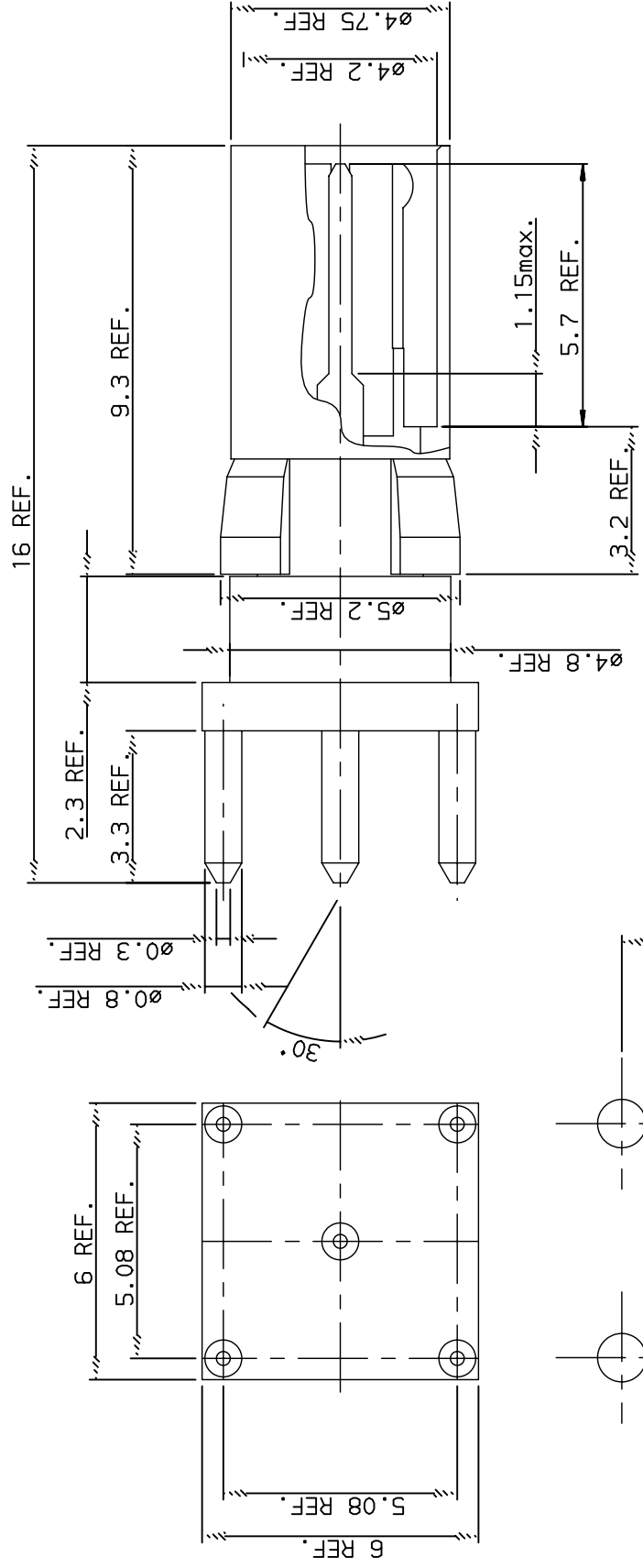


PRODUCT NUMBER	PCB THICKNESS	IMPEDANCE	COMMENTS
85659-001LF	1.6 mm	50 Ohms	LEAD-FREE VERSION



- NOTES:**
1. DIM. ACC.DIN 41626
  2. -THIS PRODUCT WITH "LF" SUFFIX MEETS EUROPEAN UNION DIRECTIVES AND OTHER COUNTRY REGULATIONS AS DESCRIBED IN GS-22-008. -THE HOUSING WILL WITHSTAND EXPOSURE TO 260 DEGREES PEAK TEMPERATURE FOR 20 SECONDS IN WAVE SOLDER APPLICATION WITH 1.6 MM MINIMUM CIRCUIT BOARD. -PACKAGING SPEC: SEE GS-14-920.

www.fciconnect.com

surface ISO 1302 TOLERANCES UNLESS OTHERWISE SPECIFIED

tolerance std ISO 406 ISO 1101

projection

mm

size A3

Scale 1:1

ECN L507-0249

Product family METRAL Spec ref -

Dr HENDRIKSE 1998/12/02

Eng M.LENOIR 1988/12/02

Chr P.LEGARE 1988/12/02

Appr P.LEGARE 1988/12/02

50 Ohms

RECEPTACLE COAX

85659

CUSTOMER sheet 1 of 1

rev	ecn no	dr	date
A	H60777	PHD	1998/12/03
B	H90256	PHD	1999/04/21
C	L54004	LME	2004/04/20
D	L507-0136	LGO	2007/05/21
E	L507-0249	MLE	2007/10/08