

IEC Appliance Inlet C14 or C18 with Line Switch 2 pole and Fuseholder 1- or 2-pole



Description

- Panel Mount:
- Screw-on version from front or rear side, Appliance Inlet, protection class I or II, Fuseholder for fuse-links 5 x 20 mm, Line Switch 2-pole
- Solder terminals or quick connect terminals

Approvals

- UL File Number: E93617
- CSA File Number: 27324

Characteristics

- Line switch non-illuminated or illuminated

Weblinks

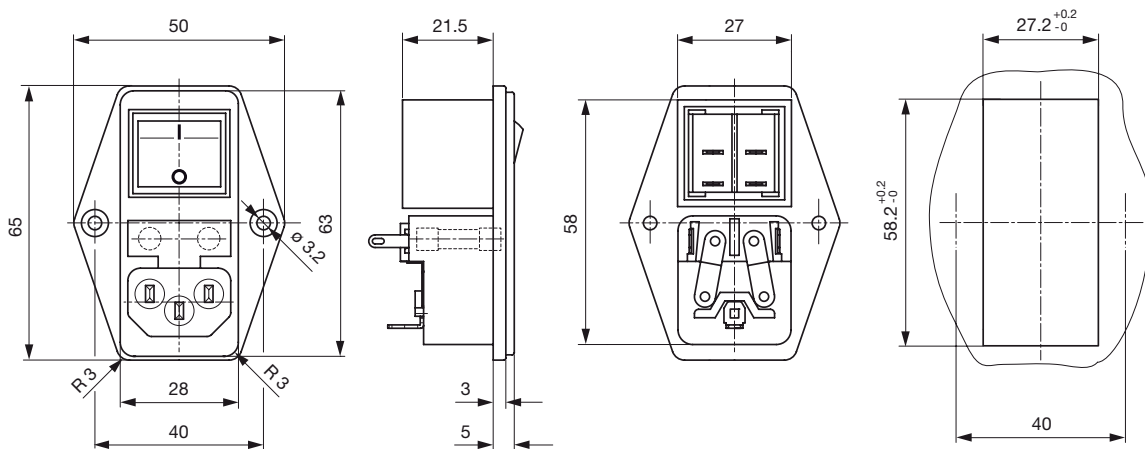
[pdf-datasheet](#), [html-datasheet](#), [General Product Information](#), [Approvals](#), [CE declaration of conformity](#), [RoHS](#), [CHINA-RoHS](#), [REACH](#), [Mating Connectors](#), [e-Shop](#), [SCHURTER-Stock-Check](#), [Distributor-Stock-Check](#), [CAD-Drawings](#), [Accessories](#), [Wire Harnessing](#), [Detailed request for product](#)

Technical Data

| | |
|---------------------------|---|
| Ratings IEC | 10A / 250VAC; 50Hz |
| Ratings UL/CSA | 10A / 250VAC; 60Hz |
| Dielectric Strength | > 3kVAC between L-N > 1.5kVAC between L/N-PE (1 min/50Hz) |
| Allowable Operation Temp. | -25 °C to 70 °C |
| Degree of Protection | from front side IP 20 acc. to IEC 60529 |
| Protection Class | Suitable for appliances with protection class I or II acc. to IEC 61140 |
| Terminal | Solder terminals or quick connect terminals |
| Material: Housing | PA6, black, UL 94V-0 |

| | |
|------------------------------|--|
| Appliance Inlet | C14 / C18 acc. to IEC 60320 UL 498, CSA C22.2 no. 42 (for cold conditions) pin-temperature 70 °C, 10A, Protection Class I or II |
| Fuseholder | 1 or 2 pole, acc. to IEC 60127-6, for fuse-links 5 x 20 mm |
| Power Acceptance @ Ta > 23°C | Admissible power acceptance at higher ambient temperature see derating curves |
| Line Switch | Rocker switch 2-pole, non-illuminated or illuminated black, acc. to IEC 61058-1 Technical Details |

Dimensions



Length of the terminal please find at the order code configuration table

Config. Code

6765 - H - A B C N - D - E G O P

The characters are placeholders for the correspondingly keys of selections from the key tables.

6765 - H - A B C N - D - E G O P = Type

| Type | Configuration key |
|---------------------|-------------------|
| protection class II | B |
| protection class I | X |

6765 - H - A B C N - D - E G O P = Terminals

| Terminal L | Configuration key |
|---------------------------|-------------------|
| connection to fuse holder | B |

6765 - H - A B C N - D - E G O P = Terminals

| Terminal N | Configuration key |
|------------------------------------|-------------------|
| short solder terminal (L = 4.8 mm) | 2 |
| long solder terminal (L = 8.5 mm) | 3 |
| Blade terminal (4.8 x 0.8 mm) | 8 |
| Blade terminal (6.3 x 0.8 mm) | 9 |
| connection to fuse holder | B |

Symbols similar as in table A

6765 - H - A B C N - D - E G O P = Terminals

| Terminal Ground | Configuration key |
|------------------------------------|-------------------|
| without terminal | 0 |
| short solder terminal (L = 4.8 mm) | 2 |
| long solder terminal (L = 8.5 mm) | 3 |
| Blade terminal (4.8 x 0.8 mm) | 8 |
| Blade terminal (6.3 x 0.8 mm) | 9 |

Symbols similar as in table A

6765 - H - A B C N - D - E G O P = Terminal Fuseholder

| Terminal Fuseholder | Configuration key |
|---------------------|-------------------|
| solder terminal | 1 |

6765 - H - A B C N - D - E G O P = Color

| Color | Configuration key |
|-------|-------------------|
| Black | A |

6765 - H - A B C N - D - E G O P = Style

| Style | Configuration key |
|-------------------------------|-------------------|
| flange with countersunk holes | 1 |

6765 - H - A B C N - D - E G O P = Mass S

| Mass "s" | Configuration key |
|----------|-------------------|
| 00 | |

The dimension "S" is displayed in ($1/_{10}$ mm). This information is also valid for the order code

6765 - H - A B C N - D - E G O P = Features

| Features | Configuration key |
|--|-------------------|
| dead cover | 1 |
| holder for 1 or 2 fuses (text legible, when inlet on top) | 4 |
| holder for 1 or 2 fuses (text legible, when inlet on bottom) | 5 |

6765 - H - A B C N - D - E G O P = Switches

| Switches | Configuration key |
|---|-------------------|
| not used | 0 |
| dead cover | 1 |
| bipolar switch, 4,8mm blade terminal, black rocker | 4 |
| bipolar switch, solder terminals, black rocker | 5 |
| bipolar switch, 4,8mm blade terminal, rocker red illuminated | 6 |
| bipolar switch, solder terminal, rocker red illuminated | 7 |
| bipolar switch, 4,8mm blade terminals, rocker green illuminated | 8 |
| bipolar switch, solder terminals, rocker green illuminated | 9 |

All Variants

| Config. Code | Description | Order Number |
|---------------------|--|--------------|
| 6765-X-BB21-A-10040 | 6765, IEC Power Entry Module C14, 70°C, version: protection class I, L: connection to fuse holder, N: connection to fuse holder, ground: short solder terminal (L = 4.8 mm), fuseholder: solder terminal, color: Black, design: flange with countersunk holes, dimension S: 00, features: holder for 1 or 2 fuses (text legible, when inlet on top), not used | 4304.6078 |
| 6765-X-BB21-A-10044 | 6765, IEC Power Entry Module C14, 70°C, version: protection class I, L: connection to fuse holder, N: connection to fuse holder, ground: short solder terminal (L = 4.8 mm), fuseholder: solder terminal, color: Black, design: flange with countersunk holes, dimension S: 00, features: holder for 1 or 2 fuses (text legible, when inlet on top), bipolar switch, 4,8mm blade terminal, black rocker | 4304.6079 |
| 6765-X-BB21-A-10045 | 6765, IEC Power Entry Module C14, 70°C, version: protection class I, L: connection to fuse holder, N: connection to fuse holder, ground: short solder terminal (L = 4.8 mm), fuseholder: solder terminal, color: Black, design: flange with countersunk holes, dimension S: 00, features: holder for 1 or 2 fuses (text legible, when inlet on top), bipolar switch, solder terminals, black rocker | 4304.6080 |
| 6765-X-BB21-A-10054 | 6765, IEC Power Entry Module C14, 70°C, version: protection class I, L: connection to fuse holder, N: connection to fuse holder, ground: short solder terminal (L = 4.8 mm), fuseholder: solder terminal, color: Black, design: flange with countersunk holes, dimension S: 00, features: holder for 1 or 2 fuses (text legible, when inlet on bottom), bipolar switch, 4,8mm blade terminal, black rocker | 4304.6081 |
| 6765-X-BB21-A-10055 | 6765, IEC Power Entry Module C14, 70°C, version: protection class I, L: connection to fuse holder, N: connection to fuse holder, ground: short solder terminal (L = 4.8 mm), fuseholder: solder terminal, color: Black, design: flange with countersunk holes, dimension S: 00, features: holder for 1 or 2 fuses (text legible, when inlet on bottom), bipolar switch, solder terminals, black rocker | 4304.6082 |
| 6765-X-BB81-A-10040 | 6765, IEC Power Entry Module C14, 70°C, version: protection class I, L: connection to fuse holder, N: connection to fuse holder, ground: Blade terminal (4.8 x 0.8 mm), fuseholder: solder terminal, color: Black, design: flange with countersunk holes, dimension S: 00, features: holder for 1 or 2 fuses (text legible, when inlet on top), not used | 4304.6085 |
| 6765-X-BB81-A-10044 | 6765, IEC Power Entry Module C14, 70°C, version: protection class I, L: connection to fuse holder, N: connection to fuse holder, ground: Blade terminal (4.8 x 0.8 mm), fuseholder: solder terminal, color: Black, design: flange with countersunk holes, dimension S: 00, features: holder for 1 or 2 fuses (text legible, when inlet on top), bipolar switch, 4,8mm blade terminal, black rocker | 4304.6087 |
| 6765-X-BB81-A-10046 | 6765, IEC Power Entry Module C14, 70°C, version: protection class I, L: connection to fuse holder, N: connection to fuse holder, ground: Blade terminal (4.8 x 0.8 mm), fuseholder: solder terminal, color: Black, design: flange with countersunk holes, dimension S: 00, features: holder for 1 or 2 fuses (text legible, when inlet on top), bipolar switch, 4,8mm blade terminal, rocker red illuminated | 4304.6088 |
| 6765-X-BB81-A-10048 | 6765, IEC Power Entry Module C14, 70°C, version: protection class I, L: connection to fuse holder, N: connection to fuse holder, ground: Blade terminal (4.8 x 0.8 mm), fuseholder: solder terminal, color: Black, design: flange with countersunk holes, dimension S: 00, features: holder for 1 or 2 fuses (text legible, when inlet on top), bipolar switch, 4,8mm blade terminals, rocker green illuminated | 4304.6089 |
| 6765-X-BB81-A-10054 | 6765, IEC Power Entry Module C14, 70°C, version: protection class I, L: connection to fuse holder, N: connection to fuse holder, ground: Blade terminal (4.8 x 0.8 mm), fuseholder: solder terminal, color: Black, design: flange with countersunk holes, dimension S: 00, features: holder for 1 or 2 fuses (text legible, when inlet on bottom), bipolar switch, 4,8mm blade terminal, black rocker | 4304.6090 |
| 6765-X-BB81-A-10058 | 6765, IEC Power Entry Module C14, 70°C, version: protection class I, L: connection to fuse holder, N: connection to fuse holder, ground: Blade terminal (4.8 x 0.8 mm), fuseholder: solder terminal, color: Black, design: flange with countersunk holes, dimension S: 00, features: holder for 1 or 2 fuses (text legible, when inlet on bottom), bipolar switch, 4,8mm blade terminals, rocker green illuminated | 4304.6091 |
| 6765-X-BB91-A-10044 | 6765, IEC Power Entry Module C14, 70°C, version: protection class I, L: connection to fuse holder, N: connection to fuse holder, ground: Blade terminal (6.3 x 0.8 mm), fuseholder: solder terminal, color: Black, design: flange with countersunk holes, dimension S: 00, features: holder for 1 or 2 fuses (text legible, when inlet on top), bipolar switch, 4,8mm blade terminal, black rocker | 4304.6092 |
| 6765-X-BB91-A-10045 | 6765, IEC Power Entry Module C14, 70°C, version: protection class I, L: connection to fuse holder, N: connection to fuse holder, ground: Blade terminal (6.3 x 0.8 mm), fuseholder: solder terminal, color: Black, design: flange with countersunk holes, dimension S: 00, features: holder for 1 or 2 fuses (text legible, when inlet on top), bipolar switch, solder terminals, black rocker | 4304.6093 |
| 6765-X-BB91-A-10046 | 6765, IEC Power Entry Module C14, 70°C, version: protection class I, L: connection to fuse holder, N: connection to fuse holder, ground: Blade terminal (6.3 x 0.8 mm), fuseholder: solder terminal, color: Black, design: flange with countersunk holes, dimension S: 00, features: holder for 1 or 2 fuses (text legible, when inlet on top), bipolar switch, 4,8mm blade terminal, rocker red illuminated | 4304.6094 |
| 6765-X-BB91-A-10054 | 6765, IEC Power Entry Module C14, 70°C, version: protection class I, L: connection to fuse holder, N: connection to fuse holder, ground: Blade terminal (6.3 x 0.8 mm), fuseholder: solder terminal, color: Black, design: flange with countersunk holes, dimension S: 00, features: holder for 1 or 2 fuses (text legible, when inlet on bottom), bipolar switch, 4,8mm blade terminal, black rocker | 4304.6095 |
| 6765-X-BB01-A-10040 | 6765, IEC Power Entry Module C14, 70°C, version: protection class I, L: connection to fuse holder, N: connection to fuse holder, ground: without terminal, fuseholder: solder terminal, color: Black, design: flange with countersunk holes, dimension S: 00, features: holder for 1 or 2 fuses (text legible, when inlet on top), not used | 4304.6122 |
| 6765-X-BB91-A-10048 | 6765, IEC Power Entry Module C14, 70°C, version: protection class I, L: connection to fuse holder, N: connection to fuse holder, ground: Blade terminal (6.3 x 0.8 mm), fuseholder: solder terminal, color: Black, design: flange with countersunk holes, dimension S: 00, features: holder for 1 or 2 fuses (text legible, when inlet on top), bipolar switch, 4,8mm blade terminals, rocker green illuminated | 4304.6153 |
| 6765-X-BB21-A-10050 | 6765, IEC Power Entry Module C14, 70°C, version: protection class I, L: connection to fuse holder, N: connection to fuse holder, ground: short solder terminal (L = 4.8 mm), fuseholder: solder terminal, color: Black, design: flange with countersunk holes, dimension S: 00, features: holder for 1 or 2 fuses (text legible, when inlet on bottom), not used | 4304.6203 |
| 6765-X-BB21-A-10048 | 6765, IEC Power Entry Module C14, 70°C, version: protection class I, L: connection to fuse holder, N: connection to fuse holder, ground: short solder terminal (L = 4.8 mm), fuseholder: solder terminal, color: Black, design: flange with countersunk holes, dimension S: 00, features: holder for 1 or 2 fuses (text legible, when inlet on top), bipolar switch, 4,8mm blade terminals, rocker green illuminated | 4304.6215 |

The listed variants should be available from stock Other versions on request www.schurter.com/contact

Most Popular.

Availability for all products can be searched real-time: <http://www.schurter.com/en/Stock-Check/Stock-Check-SCHURTER>

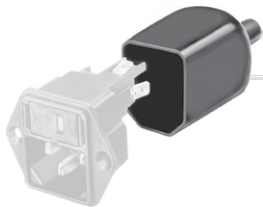
Packaging unit 50 Pcs

Accessories

Description



[Wire Harness](#)
Wire harness for SCHURTER products



[Assorted Covers](#)
Rear Cover

Mating Outlets/Connectors

Category / Description

[Connector Overview complete](#)

| | |
|---|---------|
| IEC Connector C13, Rewireable, Straight | 4782 |
| IEC Connector C13, Rewireable, Straight | 4022 |
| IEC Connector C13, Rewireable, Angled | 4785 |
| IEC Connector C13, Rewireable, Angled | 4300-06 |
| IEC Connector C13, Rewireable, Angled | 4012 |

[Connector further types to 6765](#)

...

[Interconnection Cord Overview complete](#)

| | |
|--------------------------------|-----------|
| Interconnection Cord C13, 10 A | 6007.0212 |
| Interconnection Cord C13, 10 A | 6007.0214 |

[Interconnection Cord further types to 6765](#)

[Power Cord Overview complete](#)

| | |
|---|-----------|
| Power Supply Cord with IEC plug C14, stripped end | 6007.0204 |
|---|-----------|

[Power Cord further types to 6765](#)

[Power Supply Cord Overview complete](#)

| | |
|---|-----------|
| EU Power Supply Cord with IEC Connector C13, straight | 6004.0215 |
| EU Power Supply Cord with IEC Connector C13, straight | 6003.0215 |
| Power Supply Cord with IEC Connector C13 angled, stripped end | 6000.0224 |
| Power Supply Cord with IEC Connector C13 straight, stripped end | 6000.0214 |
| UK Power Supply Cord with IEC Connector C13, straight | 6044.0215 |

[Power Supply Cord further types to 6765](#)

...

Category / Description

[Power Supply or Interconnection Cord Overview complete](#)



| | |
|---|-----------|
| UK Power Supply Cord with stripped ends | 6044.0204 |
| Diverse Power Supply and Interconnection Cords 10 A | 6045.0114 |
| Diverse Power Supply and Interconnection Cords 10 A | 6003.0205 |
| Diverse Power Supply and Interconnection Cords 10 A | 6026.0205 |
| Diverse Power Supply and Interconnection Cords 10 A | 6049.0007 |

[Power Supply or Interconnection Cord further types to 6765](#)