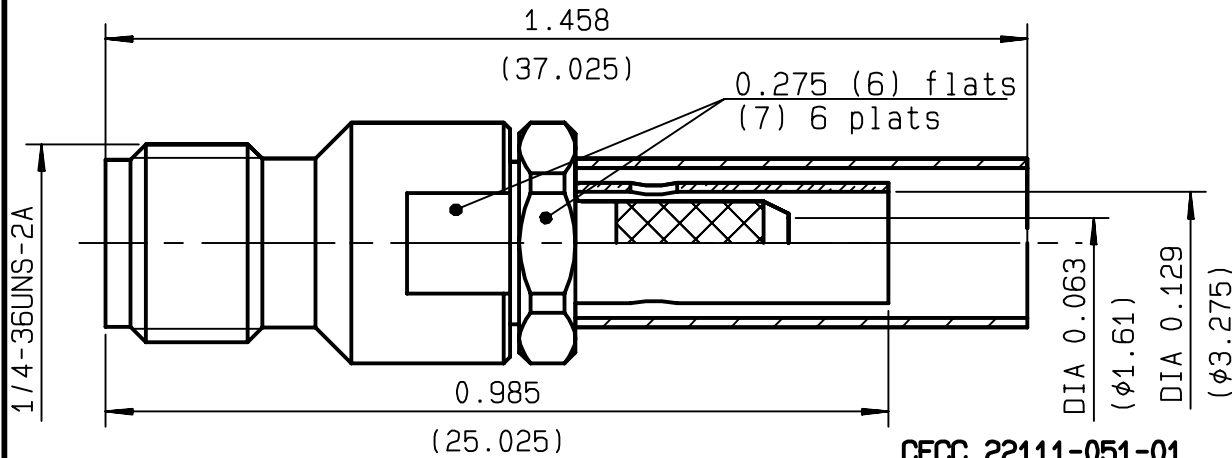


**STRAIGHT JACK CRIMP OR SOLDER TYPE
CABLE 2.6/50 S**

R125.236.000
SERIES SMA



CECC 22111-051-01

QUALITE H 50 Ω



NOMINAL IMPEDANCE	50 Ω
FREQUENCY RANGE	0-12.4 GHz
TEMPERATURE RATING	-65/+165 °C
V.S.W.R	1.15 + .02 x F(GHz)Maxi
RF INSERTION LOSS	0.06 √F(GHz) dB Maxi
VOLTAGE RATING	250 Veff Maxi
DIELECTRIC WITHSTANDING VOLTAGE	750 Veff Mini
INSULATION RESISTANCE	5000 MΩMini
HERMETIC SEAL	NA Atm.cm ³ /s
LEAKAGE (pressurized only)	NA
MECHANICAL DURABILITY	500 Cycles
WEIGHT	gr
SPECIFICATION	

CABLES : **KX 22A**
RG 188
RG 316

OTHERS CHARACTERISTICS

CABLE RETENTION	90	N Mini
CENTER CONTACT RETENTION		
Axial force - mating end	27	N Mini
Axial force - opposite end	27	N Mini
Torque	NA	cm.N Mini
RECOMMENDED TORQUES		
Mating	NA	cm.N
Panel nut	NA	cm.N
Clamp nut	100	cm.N

CONNECTOR PARTS:	MATERIALS	FINISH	(all values are given in micrometers)
BODY	STAINLESS STEEL	GOLD 0.5 OVER NICKEL 2	
OUTER CONTACT			
CENTER CONTACT	BERYLLIUM COPPER	GOLD 1.3 OVER NICKEL 2	
INSULATOR	PTFE	-	
GASKET		-	
OTHERS PIECES	BRASS	GOLD 0.5 OVER NICKEL 2	

ISSUE	CREATION DATE	FILE PART-NUMBER
9901E03	11/12/1990	



RADIALL®

PICTON

The information given here is subject to change without notice. Design changes may be in order to improve the product .

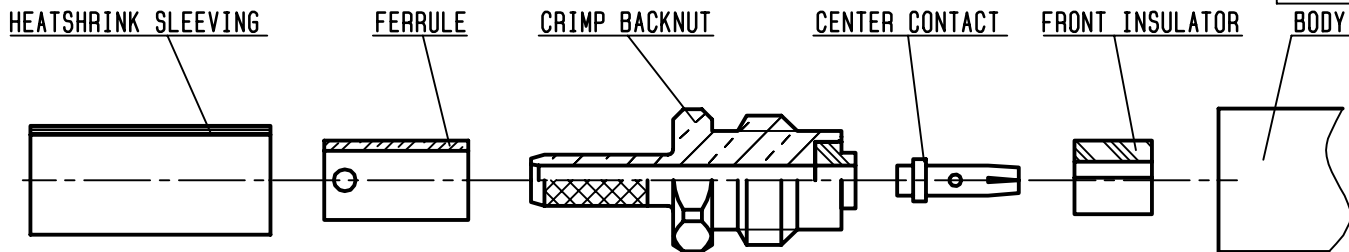
Connect to the future



R125.236.000

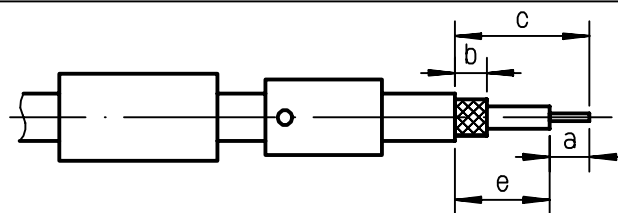
ISSUE **9901E03** SERIES

SMA



①

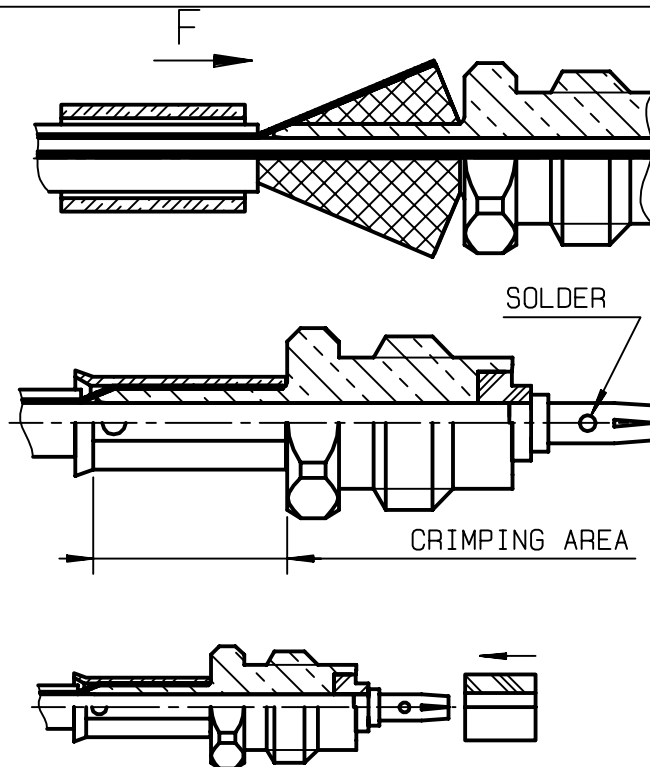
Slide the heatshrink sleeving and the ferrule onto the cable
 Ferrule holes to the front if SOLDER.
 Ferrule holes to the rear if CRIMP.
 Strip the cable .



Stripping	a	b	c	d	e
inch	0.138	0.276	0.531	0	0.394
mm	3.5	7	13.5		10

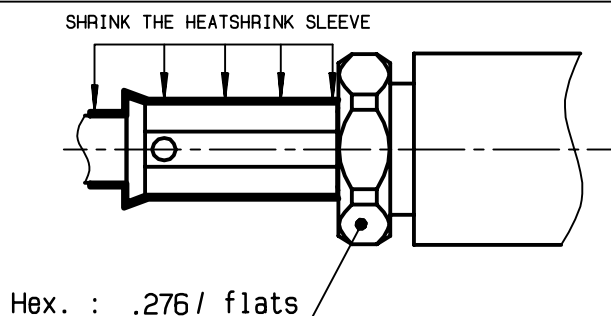
②

Fan the braid .
 Slide the back body between dielectric and braid .
 Put the cable against the insulator.
 Slide ferrule over the braid (in direction F)
 Crimp ferrule with RADIALL crimping tool R282 211 or crimping tool R282 293 000 (M22520/5-01) + dies R282 235 003 (M22520/5-03) Hex .128
 Slide the center contact on the cable until it bottoms against insulator .
 Solder the center contact.
 Slide the front insulator on the center contact.



③

Screw the sub-assembly into the connector body (recommended coupling torque: 7.08 to 10.16 in.lb)
 Cut the excess of braid.
 Slide sleeve over ferrule and heatshrink in place.



PICTON