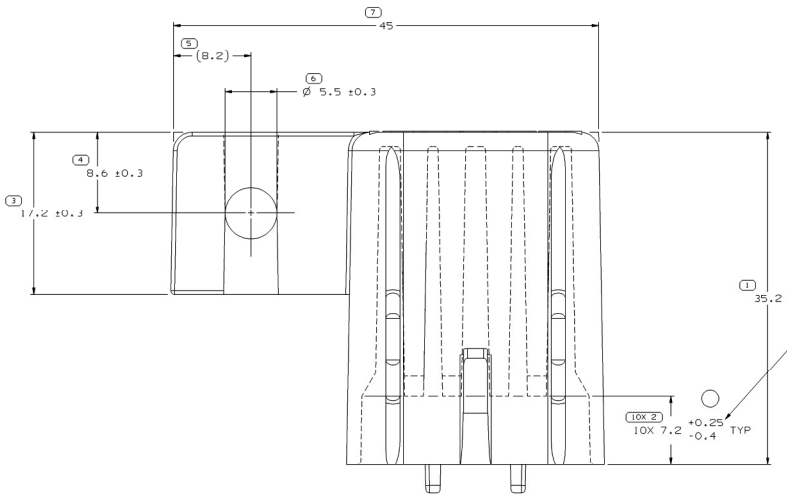


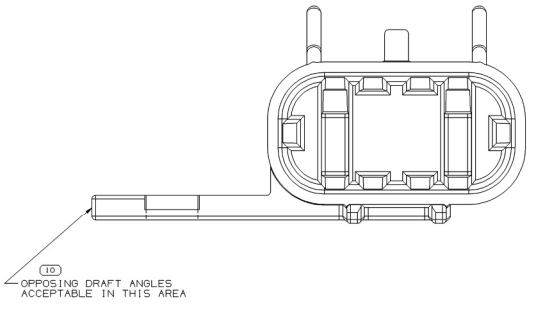
SYMBOL DEFINITION		MISSING SYMBOLS	
A DIMENSION WITHOUT AN INSPECTION REPORT SYMBOL () DOES NOT REQUIRE INSPECTION. IT MAY BE CONTROLLED ON THE INDIVIDUAL COMPONENT DRAWING.	TOTAL NO OF INSPECTIONS REQUIRED	NO MISSING SYMBOL NUMBER	
	21		
LAST NO. USED	12		

DWO STATUS				REVISION HISTORY				AUTH		APPROVED	
DATE	STG	REV	N/P	CHG	ZONE			DR	FR	APR	PRG
05M02	R	01	-	-		ALL PARTS - CREATED PD, ADDED NOTE AND REVISED MAT'L SPEC.	222189	FR	FR	ET	
28JN05	R	02	-	-		ALL PARTS - REDRAIN TO LATEST PD FORMAT	269490	AMJ	AMJ	GD	
16NO05	R	03	-	-		ALL PARTS - DIM #2 WAS 10X 7.2 ±0.2 TYP	274578	ACD	FRG	GD	
16NO05	R	04	-	-		ALL PARTS - REVISED NOTE #2 AND DIM #2 WAS 10X 7.2 ±0.25/±0.35 TYP	274762	JAR	FRG	GD	

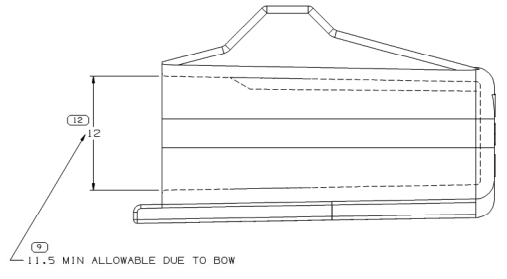


THIS AREA MUST BE FREE OF DEFECTS ALL AROUND FOR SEALING.

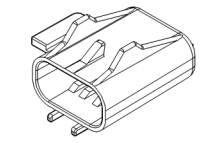
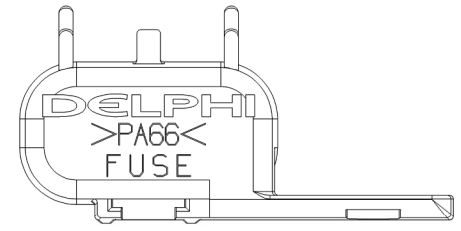
10X 2
10X 7.2
+0.25
-0.4 TYP



OPPOSING DRAFT ANGLES ACCEPTABLE IN THIS AREA

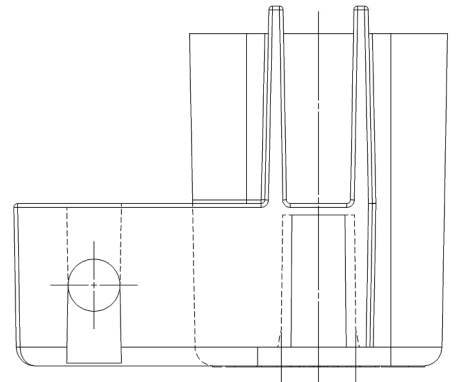


11.5 MIN ALLOWABLE DUE TO BOW



VIEW SCALE DOES NOT REFLECT ACTUAL PART SIZE

- NOTES
- UNLESS OTHERWISE SPECIFIED AND/OR INDICATED: DIMENSIONS ARE TO FACE OF VIEW SHOWN AND AUTOMATICALLY ROUNDED BY COMPUTER FOR INSPECTION (SEE MATH MODEL FOR PRECISE DIMENSIONS). FOR ALL OTHER DIMENSIONS NOT SHOWN BUT REQUIRED FOR TOOL BUILD, SEE MATH MODEL FOR PRECISE TOOL PATH DATA.
 - MATERIAL RECYCLING CODE PER ISO 11469, (2,3)X(10,1) RAISED CHARACTERS AS SHOWN TO BE LOCATED ON ANY EXTERIOR SURFACE. OPTIONAL CONSTRUCTION TO BE NO MATERIAL RECYCLING CODE.
 - THIS PART IS NOT CONTROLLED FOR AUTOMATIC ASSEMBLY.
 - REFERENCE MATING COMPONENTS OR EQUIVALENT CONNECTOR & SEAL ASM 12033769
 - (2,3)X(10,1) DELPHI CORPORATE BRAND TO BE LOCATED ON ANY EXTERIOR SURFACE, PREFERABLY VISIBLE AT FINAL ASSEMBLY. OPTIONAL CONSTRUCTION FOR EXISTING TOOLING MAY BE "RED".



PART NO	REV	N/P	STATUS	MATERIAL SPECIFICATION AND COLOR	VOLUME CM ³
12146104	A4	-	-	M3592004 PA66 HS IM RED	6.516
12089271	D4	-	-	M3592006 PA66 HS IM YEL	6.516
12033731	D5	-	-	M3592001 PA66 HS IM BLK	6.516

DIMENSIONAL RANGE (MM)		TOLERANCE	
FROM	TO	±	MAX
0	> 30	±0.10	0.10
> 30	> 100	±0.15	0.15
> 100	> 250	±0.20	0.20
> 250	> 500	±0.30	0.30
> 500	> 1000	±0.40	0.40
> 1000	> 10000	±0.50	0.50
> 10000	> 100000	±0.60	0.60
> 100000	> 1000000	±0.80	0.80
> 1000000	> 10000000	±1.00	1.00
> 10000000	> 100000000	±1.50	1.50
> 100000000	> 1000000000	±2.00	2.00
> 1000000000	> 10000000000	±3.00	3.00
> 10000000000	> 100000000000	±4.00	4.00
> 100000000000	> 1000000000000	±5.00	5.00
> 1000000000000	> 10000000000000	±6.00	6.00
> 10000000000000	> 100000000000000	±8.00	8.00
> 100000000000000	> 1000000000000000	±10.00	10.00

DWO TYPE		PART DRAWING	
SCALE	VIEW CHART	SYSTEM CODE	D
UNLESS OTHERWISE SPECIFIED			
THIS DOCUMENT IS IN ACCORDANCE WITH ASME Y14.5M-1994			
TO ENSURE UNIFORMITY IN DIMENSIONS OF PARTS, DIMENSIONS OF FEATURES MAY BE GIVEN SEPARATELY, REGARDLESS OF DIMENSIONAL REFERENCE.			
ALL DIMENSIONS ARE IN MILLIMETERS			
REFERENCE			
THIRD ANGLE PROJECTION			
DO NOT SCALE			
USE MATH DATA			

DELPHI
DELPHI PACKARD ELECTRIC SYSTEMS
WARREN, OH

DR	DATE
J. HOUSELMAN	31 AUG 98
R. HERMOSILLO	05M02
R. HERMOSILLO	05M02
E. TRACEY	06M02
APR04	06M02
APR05	

SUBSTANCES OF CONCERN ARE IDENTIFIED CONTENT PER DELPHI 12949001

MATERIAL SEE CHART

DRAWING NUMBER: TAXI COV FUSE

12089272

SCALE: 5:1 OF 1 OF 1 R 04