

DESCRIPTION: ABOVE PCB, DECK AND PUSH ROD LOCATION ARE AS VIEW BY USER.

PRODUCT NO. 71299-XXXXX	PUSH-ROD LOCATION	STAND-OFF HEIGHT	(A) HEADER ASSY 71249-XXXX OR 61519-XXXX	(B) MECHANISM ASSY 72336-XXXX	(C) MATING RECEPTACLE	MOUNTING STYLE TO PCB AND PUSH-ROD SIDE
000CA	RIGHT	0.0	0000	72336-000CA	100 POSITION (2X50) 0.8mm RECEPTACLE PART NO. 73277-101000 PURCHASE SEPARATELY	
020CA	RIGHT	2.2	0022	72336-022CA		
040CA	RIGHT	4.3	0043	72336-043CA		
050CA	RIGHT	5.0	0050	72336-050CA		
050FA (2)	RIGHT	5.0	0050	72336-050FA		
100CA	LEFT	0.0	0000	72336-100CA		
120CA	LEFT	2.2	0022	72336-122CA		
140CA	LEFT	4.3	0043	72336-143CA		
150CA	LEFT	5.0	0050	72336-150CA		
005CA	RIGHT	0.0	0500	72336-000CA		
025CA	RIGHT	0.0	0522	72336-000CA		
045CA	RIGHT	0.0	0543	72336-000CA		
055CA	RIGHT	0.0	0550	72336-000CA		
105CA	LEFT	0.0	0500	72336-100CA		
125CA	LEFT	0.0	0522	72336-100CA		
145CA	LEFT	0.0	0543	72336-100CA		
155CA	LEFT	0.0	0550	72336-100CA		

ORDERING INFORMATION

ORDER:

- EJECT HEADER ASSY (71299-XXXXX/XXXXLF)
- MATING RECEPTACLE (73277-101000/101402LF)

NOTE:

- SEE 71240 FOR DOUBLE-DECK APPLICATIONS.
- PUSH BUTTON LENGTH IS 21mm FOR 71299-050FA & 71299-050FALF(LEAD-FREE TYPE)

mat'l. code		surface	tolerance	projection	product family
ISO 1302		ISO 406	ISO 1001		
tolerances unless otherwise specified		title			
X±.3		CARDBUS SINGLE DECK			
.XX±.13		ASSY SMT TYPE 123			
Linear		dwg no			
XXX±.051		71299			
scale:1:1		sheet 1 of 1 size			
R.GRAPE 7/3/96		A4			
D.BRANN 7/3/96		type			
D.BRANN 7/3/96		CUSTOMER			
D.BRANN 7/3/96		Drawing			
sheet	revision	R	R	R	R
index	sheet	1	2	3	4
		5	6	7	8
		9	10	11	

DESCRIPTION: ABOVE PCB, DECK AND PUSH ROD LOCATION ARE AS VIEW BY USER.

PRODUCT NO. 71299-XXXX	PUSH-ROD LOCATION	STAND-OFF HEIGHT	HEADER ASSY 71249-XXXX OR 61519-XXXX	MECHANISM ASSY 72336-XXXX	MATING RECEPTACLE	MOUNTING STYLE TO PCB AND PUSH-ROD SIDE
000CALF	RIGHT	0.0	0000MLF	72336-000CA	100 POSITION (2X50) 0.8mm RECEPTACLE PART NO. 73277-101000 OR 73277-101402LF PURCHASE SEPARATELY	
020CALF	RIGHT	2.2	0022MLF	72336-022CA		
040CALF	RIGHT	4.3	0043MLF	72336-043CA		
050CALF	RIGHT	5.0	0050MLF	72336-050CA		
050FALF (2)	RIGHT	5.0	0050MLF	72336-050FA		
100CALF	LEFT	0.0	0000MLF	72336-100CA		
120CALF	LEFT	2.2	0022MLF	72336-122CA		
140CALF	LEFT	4.3	0043MLF	72336-143CA		
150CALF	LEFT	5.0	0050MLF	72336-150CA		
151CALF	LEFT	5.0	0050MLF	52219-150HAM		
005CALF	RIGHT	0.0	0500MLF	72336-000CA		
025CALF	RIGHT	0.0	0522MLF	72336-000CA		
045CALF	RIGHT	0.0	0543MLF	72336-000CA		
055CALF	RIGHT	0.0	0550MLF	72336-000CA		
105CALF	LEFT	0.0	0500MLF	72336-100CA		
125CALF	LEFT	0.0	0522MLF	72336-100CA		
145CALF	LEFT	0.0	0543MLF	72336-100CA		
155CALF	LEFT	0.0	0550MLF	72336-100CA		
156CALF	LEFT	0.0	0550MLF	52219-100HAM		

ORDERING INFORMATION

ORDER:

- EJECT HEADER ASSY (71299-XXXX/XXXXLF)
- MATING RECEPTACLE (73277-101000/101402LF)

NOTE:

- SEE 71240 FOR DOUBLE-DECK APPLICATIONS.
- PUSH BUTTON LENGTH IS 21mm FOR 71299-050FA & 71299-050FALF(LEAD-FREE TYPE)

mat'l. code

ltr	ecn no	dr	date	surface	tolerance	projection	product family
R				ISO 1302	ISO 406 ISO 1001		CARBUS SINGLE DECK ASSY SMT TYPE 123
				tolerances unless otherwise specified			dwg no 71299
				angles	.X±.3	MM	sheet 2 of 11 size A4
				linear	.XX±.13		type CUSTOMER Drawing
				±2°	XXX±.051	scale:1:1	
				dr	R.GRAPE 7/3/96		
				engr	D.BRANN 7/3/96		
				chr	D.BRANN 7/3/96		
				appd	D.BRANN 7/3/96		
sheet	revision						
index	sheet						

DESCRIPTION: BELOW PCB, DECK AND PUSH ROD LOCATION ARE AS VIEWED BY USER

PRODUCT NO. 71299-XXXXX	PUSH-ROD LOCATION	STAND-OFF HEIGHT	(A) HEADER ASSY 71249-XXXX	(B) MECHANISM ASSY 72337-XXXX	(C) MATING RECEPTACLE	MOUNTING STYLE TO PCB AND PUSH-ROD SIDE
520CA	RIGHT	2.2	5022	72337-122CA	100 POSITION (2X50) 0.8mm RECEPTACLE PART NO. 73277-101000 73277-101402LF	
540CA	RIGHT	4.3	5043	72337-143CA		
550CA	RIGHT	5.0	5050	72337-150CA		
520CALF	RIGHT	2.2	5022LF	72337-122CA		
540CALF	RIGHT	4.3	5043LF	72337-143CA		
550CALF	RIGHT	5.0	5050LF	72337-150CA		
620CA	LEFT	2.2	5022	72337-022CA		
640CA	LEFT	4.3	5043	72337-043CA		
650CA	LEFT	5.0	5050	72337-050CA		
620CALF	LEFT	2.2	5022LF	72337-022CA		
640CALF	LEFT	4.3	5043LF	72337-043CA		
650CALF	LEFT	5.0	5050LF	72337-050CA		
525CA	RIGHT	0.0	5522	72337-100CA		
545CA	RIGHT	0.0	5543	72337-100CA		
555CA	RIGHT	0.0	5550	72337-100CA		
① 555DA	RIGHT	0.0	5550	72337-100DA		
525CALF	RIGHT	0.0	5522LF	72337-100CA		
545CALF	RIGHT	0.0	5543LF	72337-100CA		
555CALF	RIGHT	0.0	5550LF	72337-100CA		
① 555DALF	RIGHT	0.0	5550LF	72337-100DA		
625CA	LEFT	0.0	5522	72337-000CA		
645CA	LEFT	0.0	5543	72337-000CA		
655CA	LEFT	0.0	5550	72337-000CA		
625CALF	LEFT	0.0	5522LF	72337-000CA		
645CALF	LEFT	0.0	5543LF	72337-000CA		
655CALF	LEFT	0.0	5550LF	72337-000CA		

ORDERING INFORMATION

ORDER:

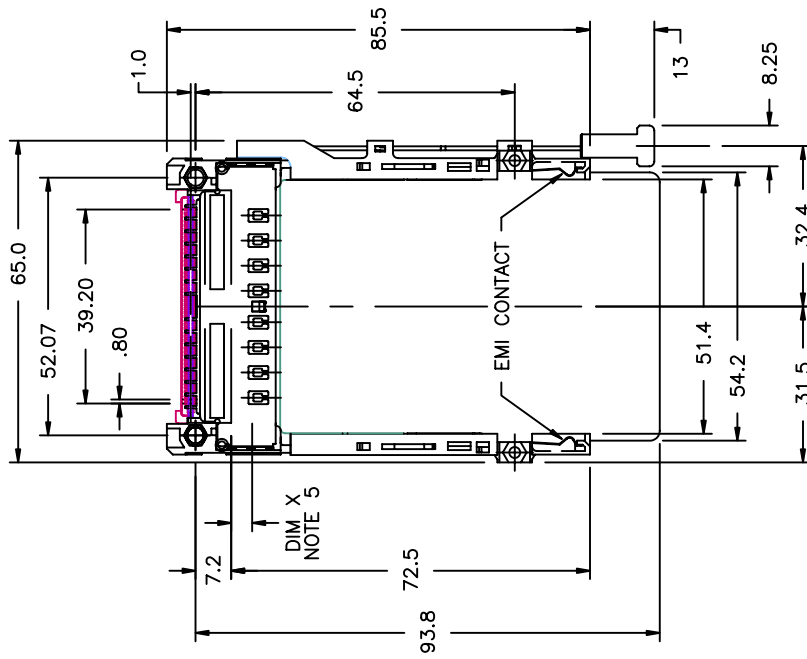
- EJECT HEADER ASSY (71299-XXXXX/XXXXLF)
- MATING RECEPTACLE (73277-101000/101402LF)

NOTES:

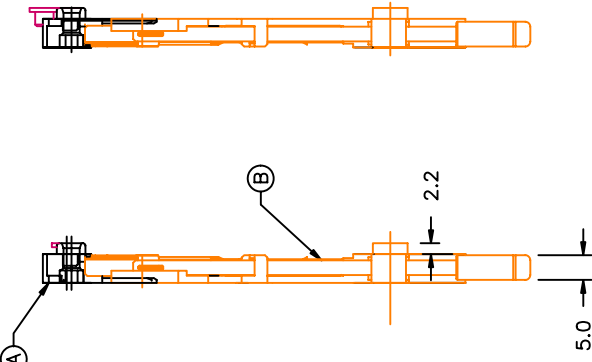
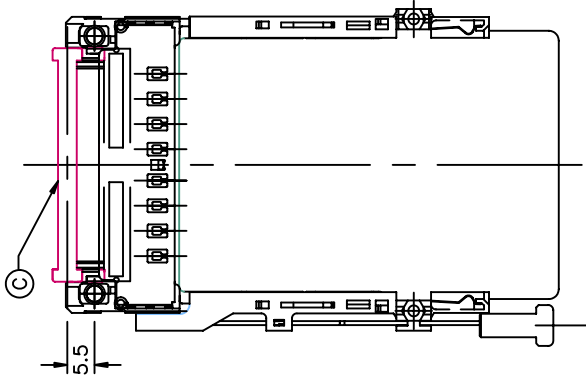
- 555DA HAS 15.6mm PUSH BUTTON RETURN LENGTH INSTEAD OF 13.0mm.
- BELOW P.C.B., 0.0mm STAND-OFF IS NOT AVAILABLE.

mat'l. code		surface	tolerance	projection	product family
ISO 1302	ISO 406	ISO 101			
tolerances unless otherwise specified		linear	angular	scale	title
±.3	.XX±.13	XXX±.051	MM	1:1	CARBUS SINGLE DECK ASSY SMT TYPE 123
dr	R.GRAPE	7/3/96	scale	1:1	dwg no
engr	D.BRANN	7/3/96			71299
chr	D.BRANN	7/3/96			sheet 3 of 11 size
appd	D.BRANN	7/3/96			A4
sheet	revision				type
index	sheet				CUSTOMER
					Drawing

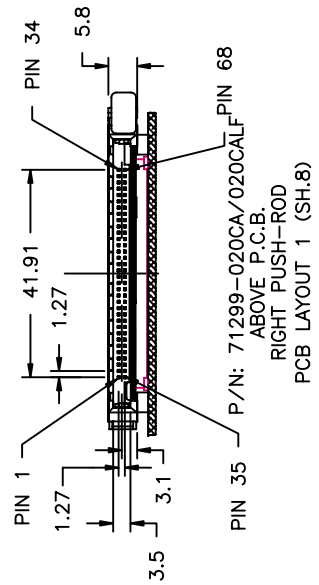
PRODUCT NUMBER
71299-*****/*****LF



MATING RECEPTACLE
SHOWN FOR APPLICATION
CLARITY ONLY
MUST BE PURCHASED
SEPARATELY



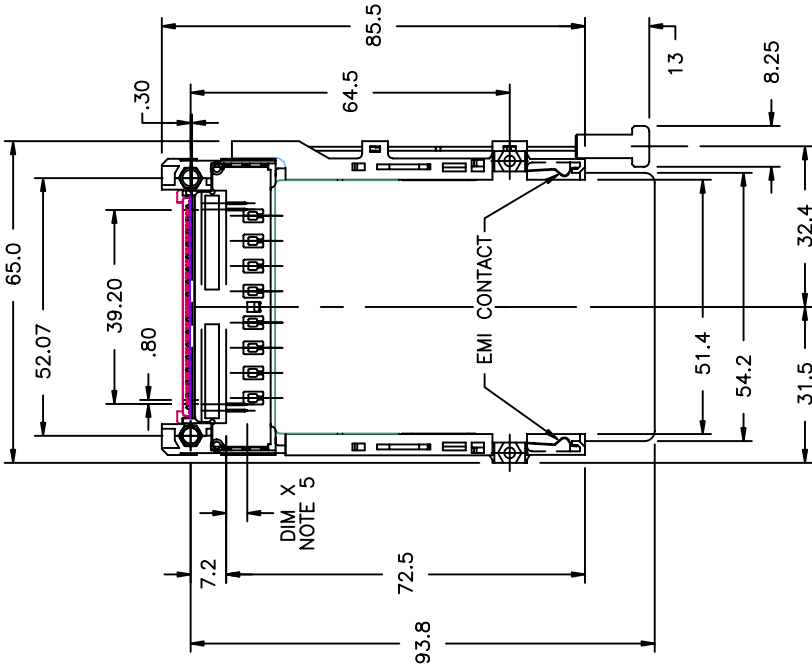
PIN 1
PIN 34
PIN 35 P/N: 71299-620CA/620CALF
BELOW P.C.B.
LEFT PUSH-ROD
PCB LAYOUT 2 (SH.8)



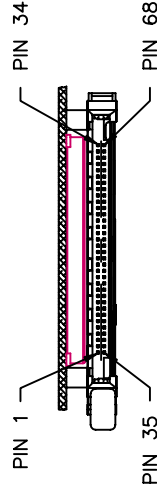
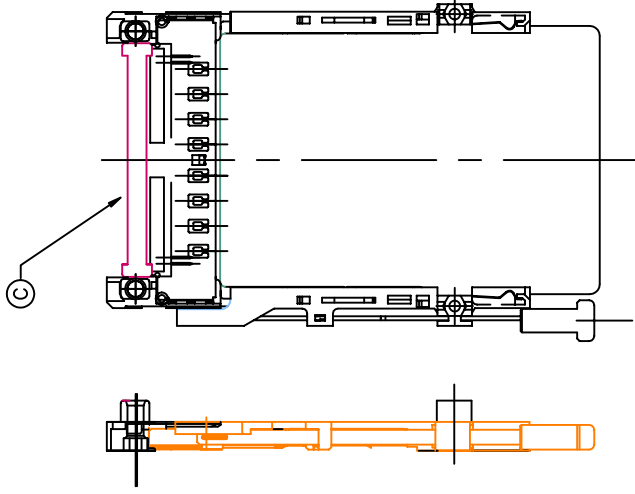
P/N: 71299-020CA/020CALF
ABOVE P.C.B.
RIGHT PUSH-ROD
PCB LAYOUT 1 (SH.8)

mat'l. code		surface	tolerance	projection	product family		
ltr	ecr no	dr	date	ISO 1302	ISO 406	ISO 1101	title
R				tolerances unless otherwise specified			CARBUS SINGLE DECK ASSY SMT TYPE 123
				angles	$X \pm .3$		dwg no 71299
				linear	$.XX \pm .13$	MM	sheet 4 of 11 size A4
				$\pm 2^\circ$	XXX $\pm .051$	scale: 1:1	type CUSTOMER Drawing
				dr	R.GRAPE	7/3/96	
				engr	D.BRANN	7/3/96	
				chr	D.BRANN	7/3/96	
				appd	D.BRANN	7/3/96	
sheet index	revision	sheet	sheet				

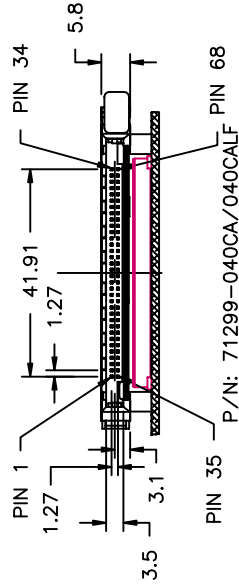
PRODUCT NUMBER
71299-*****/****L



MATING RECEPTACLE
SHOWN FOR APPLICATION
CLARITY ONLY
MUST BE PURCHASED
SEPARATELY



P/N: 71299-640CA/640CALF
BELOW P.C.B.
LEFT PUSH-ROD
PCB LAYOUT 4 (SH.9)

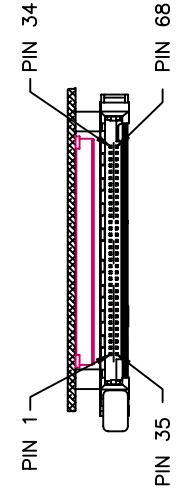
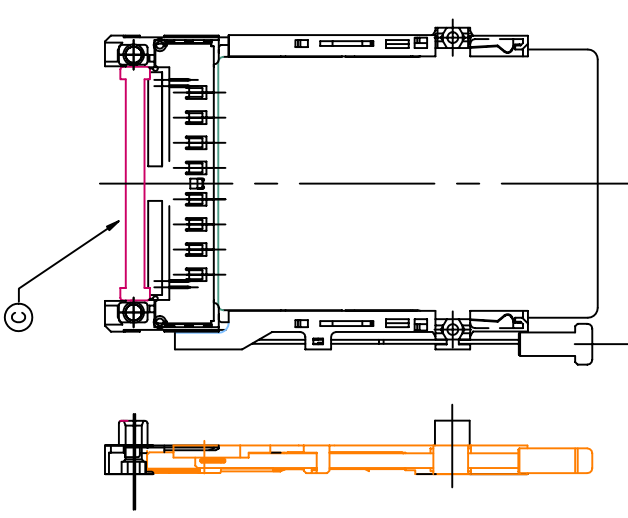
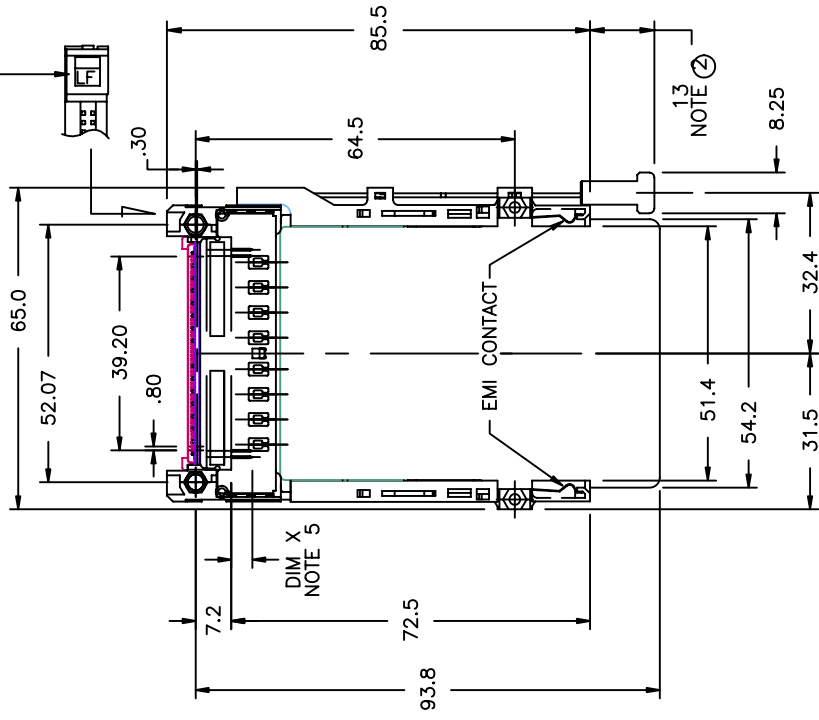


P/N: 71299-040CA/040CALF
ABOVE P.C.B.
RIGHT PUSH-ROD
PCB LAYOUT 3 (SH.9)

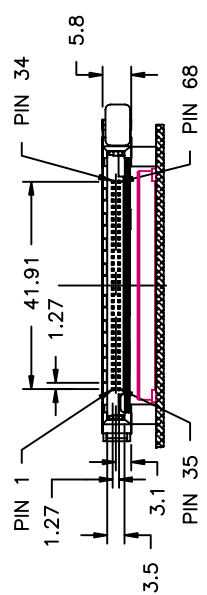
mat'l. code		surface	tolerance	projection	product family
ISO 1302	ISO 406	ISO 1001			
tolerances unless otherwise specified		linear		MM	title
angles	XX±.3	XXX±.051		scale:1:1	CARDBUS SINGLE DECK ASSY SMT TYPE 123
±2'	R.GRAPE	7/3/96	sheet		5 of 11 size
dr	D.BRANN	7/3/96	dwg no		71299
engr	D.BRANN	7/3/96	type		CUSTOMER
chr	D.BRANN	7/3/96	drawing		
appd	D.BRANN	7/3/96	revision		
sheet	revision	sheet	sheet		
index	sheet	index	sheet		

PRODUCT NUMBER
71299-*****/****LF

FOR LEAD-FREE TYPE ONLY(REF.)



P/N: 71299-650CA
BELOW P.C.B.
LEFT PUSH-ROD
PCB LAYOUT 4 (SH.9)

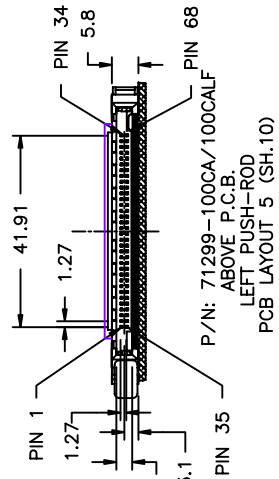
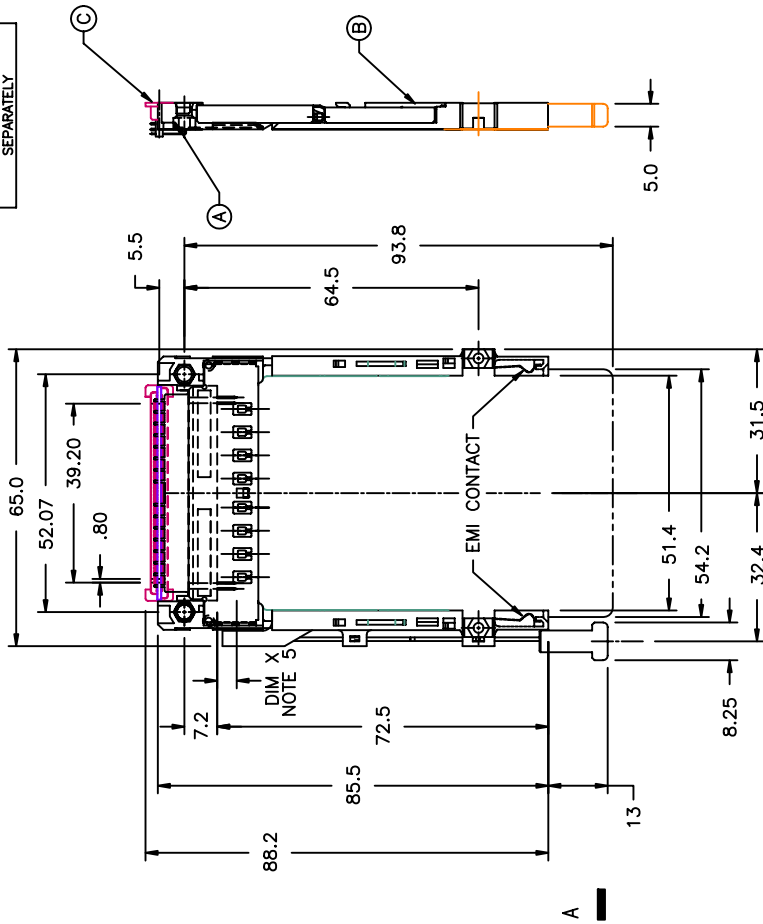


P/N: 71299-050FA/-050FALF
(NOTE 2)
P/N: 71299-050CA/-050CALF
ABOVE P.C.B.
RIGHT PUSH-ROD
PCB LAYOUT 3 (SH.9)

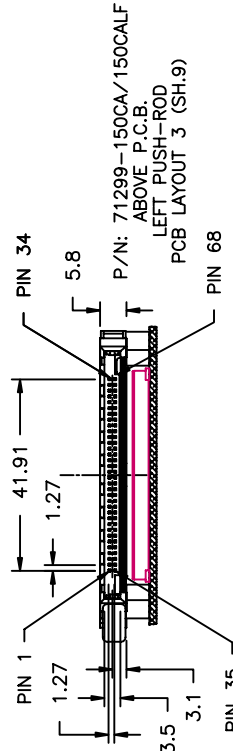
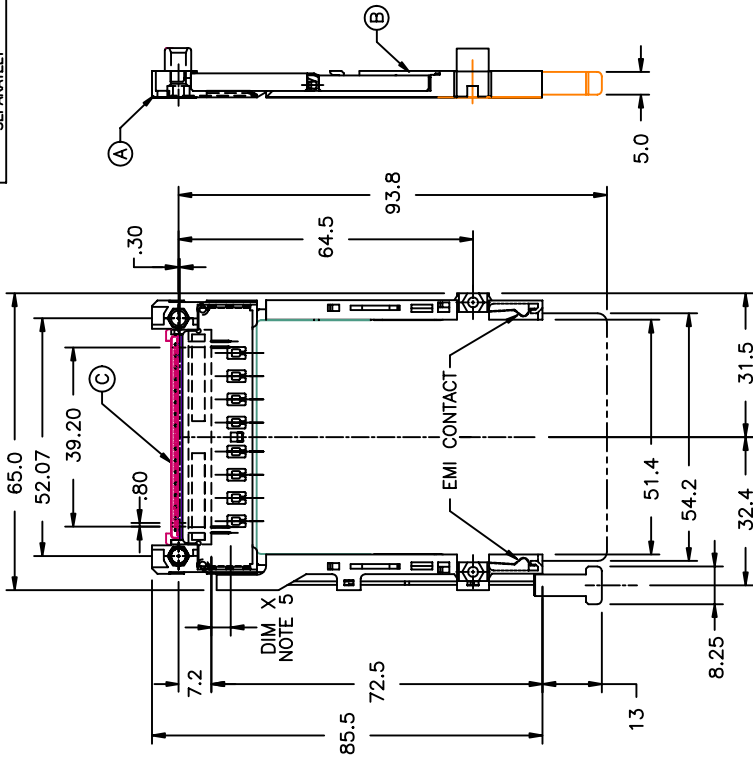
mat'l. code		surface	tolerance	projection	product family
ISO 1302		ISO 406	ISO 1001		
tolerances unless otherwise specified		linear		title	
angles		XXX±.13		CARBUS SINGLE DECK	
±2'		XXX±.051		ASSY SMT TYPE 123	
dr		R.GRAPE		dwg no	sheet 6 of 11 size
engr		D.BRANN		71299	A4
chr		D.BRANN		type	CUSTOMER
appd		D.BRANN		scale:1:1	Drawing
revision					
sheet					
index					

PRODUCT NUMBER
71299-****/*****LF

MATING RECEPTACLE
SHOWN FOR APPLICATION
CLARITY ONLY
MUST BE PURCHASED
SEPARATELY

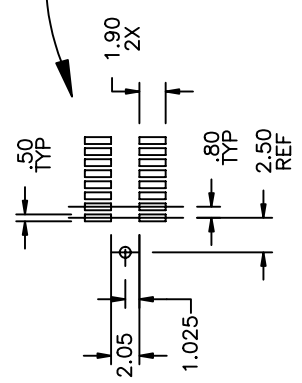


MATING RECEPTACLE
SHOWN FOR APPLICATION
CLARITY ONLY
MUST BE PURCHASED
SEPARATELY

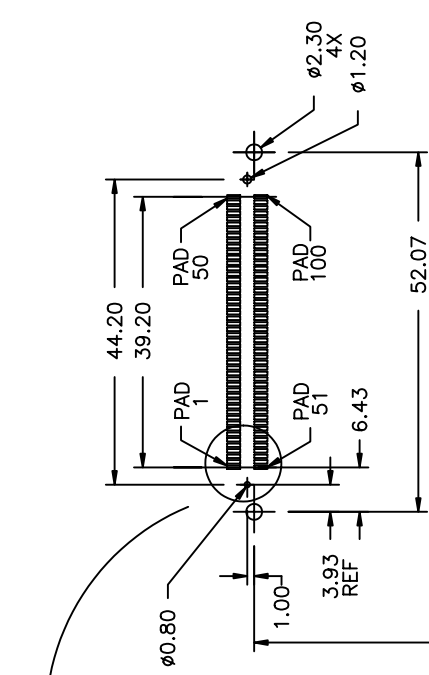


mat'l. code		surface	tolerance	projection	product family
R	ecn no	ISO 1302	ISO 406 ISO 1001	100%	
	date	tolerances unless otherwise specified			title
		angles	.XX±.13	MM	CARBUS SINGLE DECK ASSY SMT TYPE 123
		±2'	XXX±.051	scale:1:1	dwg no
		dr	R.GRAPE	7/3/96	sheet 7 of 11 size
		engr	D.BRANN	7/3/96	71299
		chr	D.BRANN	7/3/96	A4
		appd	D.BRANN	7/3/96	CUSTOMER
sheet	revision				type
index	sheet				Drawing

P.C.B. LAYOUT FOR 2.2mm STANDOFF



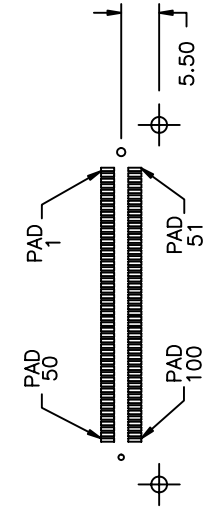
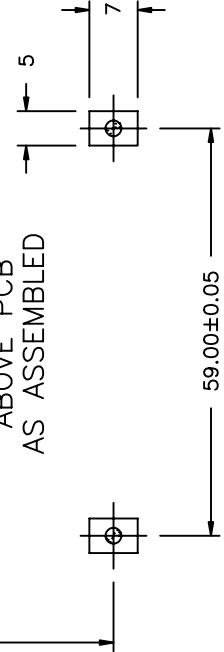
SCALE 2:1



64.5

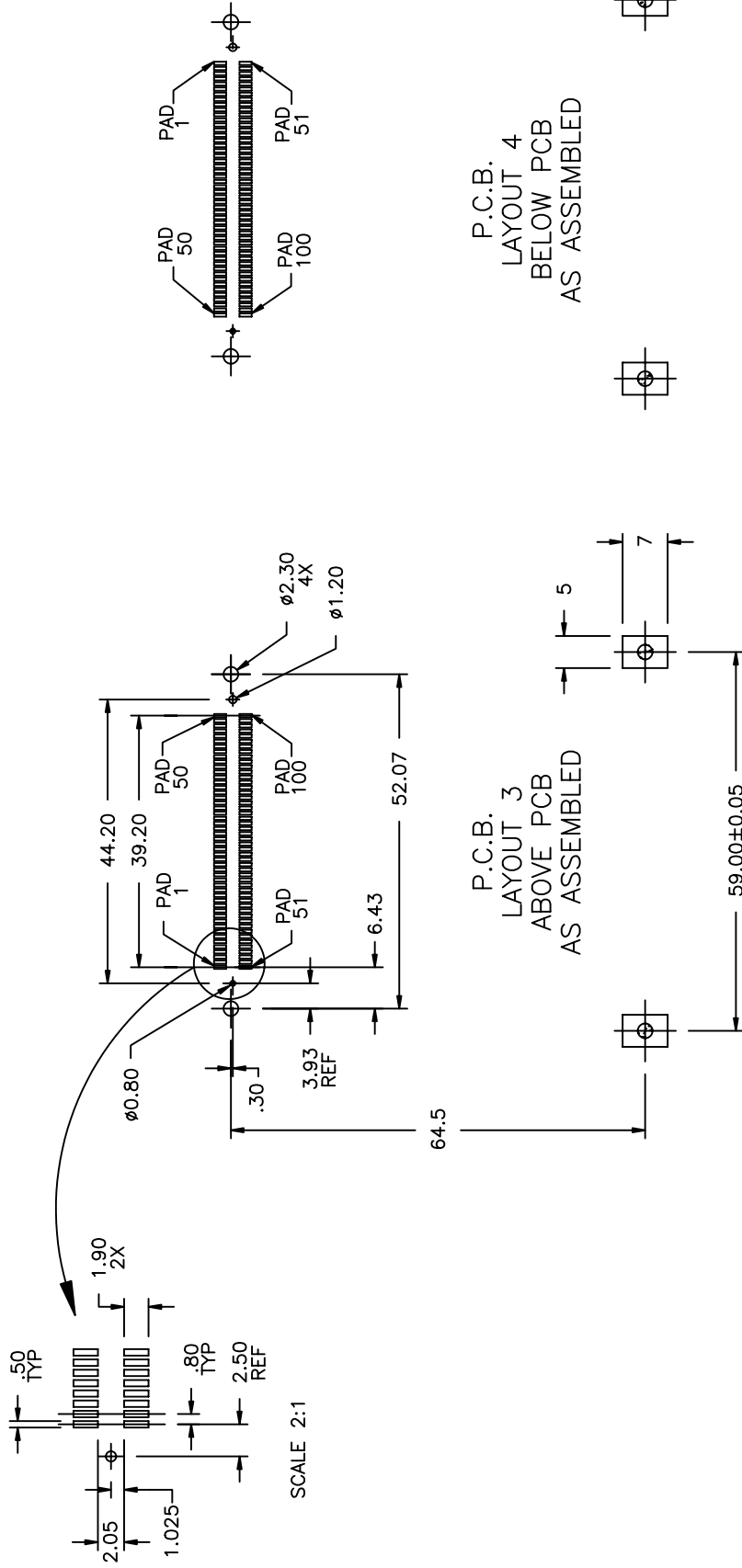
P.C.B.
LAYOUT 1
ABOVE PCB
AS ASSEMBLED

P.C.B.
LAYOUT 2
BELOW PCB
AS ASSEMBLED



mat'l. code		surface	tolerance	projection	product family
ISO 1302		ISO 406	ISO 1001		
Ltr ecn no		tolerances unless otherwise specified		title	
date		linear	.XX±.13	CARBUS SINGLE DECK	
		angles	XXX±.051	ASSY SMT TYPE 123	
		±2°	scale:1:1	dwg no 71299	
		dr	R.GRAPE 7/3/96	sheet 8 of 11 size A4	
		engr	D.BRANN 7/3/96	type CUSTOMER Drawing	
		chr	D.BRANN 7/3/96		
		appd	D.BRANN 7/3/96		
sheet index	revision sheet				

P.C.B. LAYOUT FOR 4.3 AND 5.0mm STANDOFFS

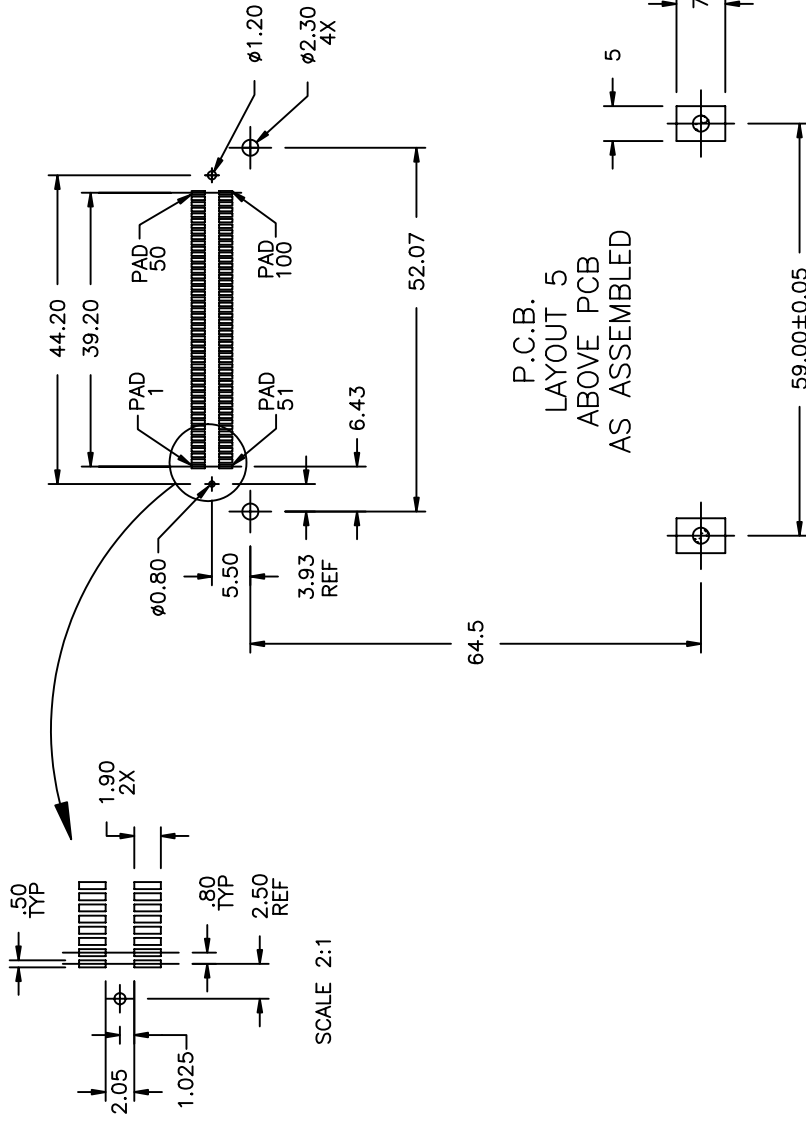


P.C.B.
LAYOUT 3
ABOVE PCB
AS ASSEMBLED

P.C.B.
LAYOUT 4
BELOW PCB
AS ASSEMBLED

mat'l. code		surface	tolerance	projection	product family
Ltr	ecn no	ISO 1302	ISO 406 ISO 1001	1001	title
R	date	tolerances unless otherwise specified	.X±.3	MM	CARDBUS SINGLE DECK ASSY SMT TYPE 123
		angles	.XX±.13	scale:1:1	dwg no 71299
		±2°	XXX±.051		sheet 9 of 11 size A4
		dr	R.GRAPE 7/3/96		type CUSTOMER Drawing
		engr	D.BRANN 7/3/96		
		chr	D.BRANN 7/3/96		
		appd	D.BRANN 7/3/96		
sheet index	revision sheet				

P.C.B. LAYOUT FOR Omm STANDOFF



SCALE 2:1

mat'l. code		surface	tolerance	projection	product family
Ltr	ecn no	ISO 1302	ISO 406 ISO 1001	1001	title
R	date	tolerances unless otherwise specified	.XX±.3	MM	CARDBUS SINGLE DECK ASSY SMT TYPE 123
		angles	.XX±.13	scale:1:1	dwg no 71299
		±2'	XXX±.051	scale:1:1	sheet 10 of 11 size A4
		dr	R.GRAPE 7/3/96	FCJ	type CUSTOMER Drawing
		engr	D.BRANN 7/3/96		
		chr	D.BRANN 7/3/96		
		appd	D.BRANN 7/3/96		
sheet	revision				
index	sheet				



HEADER PINOUT	TYPE	BTB 100 POS RECEPTACLE	HEADER PINOUT	TYPE	BTB 100 POS RECEPTACLE	SHIELD PINOUT	TYPE	BTB 100 POS RECEPTACLE
1	GND	1	35	GND	51	1	GND	4 & 54
2	SIG	2	36	DET	52	2	GND	7 & 57
3	SIG	3	37	SIG	53	3	GND	10 & 60
4	SIG	5	38	SIG	55	4	GND	13 & 63
5	SIG	6	39	SIG	56	5	GND	16 & 66
6	SIG	8	40	SIG	58	6	GND	19 & 69
7	SIG	9	41	SIG	59	7	GND	22 & 72
8	SIG	11	42	SIG	61	8	GND	25 & 75
9	SIG	12	43	SIG	62	9	GND	26 & 76
10	SIG	14	44	SIG	64	10	GND	29 & 79
11	SIG	15	45	SIG	65	11	GND	32 & 82
12	SIG	17	46	SIG	67	12	GND	35 & 85
13	SIG	18	47	SIG	68	13	GND	38 & 88
14	SIG	20	48	SIG	70	14	GND	41 & 91
15	SIG	21	49	SIG	71	15	GND	44 & 94
16	SIG	23	50	SIG	73	16	GND	47 & 97
17	PWR	24	51	PWR	74			
18	SIG	27	52	SIG	77			
19	SIG	28	53	SIG	78			
20	SIG	30	54	SIG	80			
21	SIG	31	55	SIG	81			
22	SIG	33	56	SIG	83			
23	SIG	34	57	SIG	84			
24	SIG	36	58	SIG	86			
25	SIG	37	59	SIG	87			
26	SIG	39	60	SIG	89			
27	SIG	40	61	SIG	90			
28	SIG	42	62	SIG	92			
29	SIG	43	63	SIG	93			
30	SIG	45	64	SIG	95			
31	SIG	46	65	SIG	96			
32	SIG	48	66	SIG	98			
33	SIG	49	67	DET	99			
34	GND	50	68	GND	100			

NOTES:

- 8mm MIN CARD EJECT.
- EJECT TRAVEL: 9.5mm
- MATERIAL:

3.1 HEADER ASSY:
 PLASTIC HOUSING: LCP UL94V-0 BLACK -- ABOVE PCB
 LCP UL94V-0 BLACK -- BELOW PCB
 PIN: PHOSPHOR BRONZE
 PCB: FR4

3.2 EJECT MECHANISM ASSY:
 PLASTIC GUIDE: POLYPHTHARAMID UL94V-0 BLACK
 PLASTIC PUSH-ROD BUTTON: POLYPHTHARAMID UL94V-0 BLACK
 COVER PLATE, LINK ARM,
 PUSH ROD: STAINLESS STEEL
 EMI CONTACT: PHOSPHOR BRONZE

3.3 .8 BTB RECEPTACLE: 73277-101000
 PLASTIC: LCP 94V-0 BLACK
 CONTACT: BeCu

- FINISH (PIN)
 UNDER PLATING: 0.5um MIN Ni
 CONTACT AREA: 0.1um MIN GOLD OVER
 0.5um MIN Pd-Ni
 SOLDER TAIL(TIN LEAD OPTION): 2.5umMIN Sn-Pb
 SOLDER TAIL(LEAD FREE OPTION): 2.5umMIN PURE TIN

5 DIM "X"

4.25±0.1	3.5±0.1	5.0±0.1
OTHERS		36,67 1,17,34,35,51,68

- RECOMMENDED SCREW TORQUE: 1.0 TO 1.5 MAX in-lbs. (1.2-1.7 cm-kgs).
 RECOMMENDED HOLD-DOWN 2mm SCREWS (95121)
 AND HEX NUTS (92869-001).

- GS-14-920 SPEC. SHOULD BE APPLIED LEAD FREE P/N.
- IF LEAD FREE P/N.THE HOUSING WILL WITHSTAND EXPOSURE TO 260°C PEAK TEMPERATURE FOR 10 SECONDS IN A WAVE SOLDER APPLICATION WITH A 1.00MM MINIMUM THICK CIRCUIT BOARD.
- IF LEAD FREE P/N.THE PRODUCT MEETS EUROPEAN UNION DIRECTIVES AND OTHER COUNTRY REGULATIONS AS DISCRIBLED IN GS-22-008

mat'l. code		surface	tolerance	projection	product family
ISO 1302		ISO 406	ISO 1101		
tolerances unless otherwise specified		linear		MM	title
angles		.XX±.13		scale:1:1	CARBUS SINGLE DECK
±2'		XXX±.051			ASSY SMT TYPE 123
dr		R.GRAPE	7/3/96		dwg no
engr		D.BRANN	7/3/96		sheet 11of11 size
chr		D.BRANN	7/3/96		A4
appd		D.BRANN	7/3/96		71299
sheet index		revision sheet		type	CUSTOMER
				Drawing	