

Issued: December 12th, 2022
SUB: EOL Notice
Product Type: Surface Mount Non-polarized Aluminum Electrolytic Capacitors
NIC Series: NACEN Series
Product Specification:
<http://www.niccomp.com/products/catalog/nacen.pdf>

Notification: End of Life Notification

The following is notice of the end of life for the NACEN series of surface mount, non-polarized aluminum electrolytic capacitors. This end of life notification applies to all packaging variations.

Effective: December 12th, 2022
Last Order Date: July 31st, 2023
Last Ship Date: December 31st, 2023

Reason for Discontinuation: Low Demand
[Link to List of Part Numbers \(Excel\)](#)

Discontinued Part Number	Capacitance	Voltage Rating	Case Size
NACEN220M6.3V5X5.5TR13F	22	6.3	5X5.5
NACEN330M6.3V5X5.5TR13F	33	6.3	5X5.5
NACEN470M6.3V6.3X5.5TR13F	47	6.3	6.3X5.5
NACEN100M10V4X5.5TR13F	10	10	4X5.5
NACEN100M10V4X5.5TR15F	10	10	4X5.5
NACEN220M10V6.3X5.5TR13F	22	10	6.3X5.5
NACEN330M10V6.3X5.5TR13F	33	10	6.3X5.5
NACEN4R7M16V4X5.5TR13F	4.7	16	4X5.5
NACEN4R7M16V4X5.5TR15F	4.7	16	4X5.5
NACEN100M16V5X5.5TR13F	10	16	5X5.5
NACEN220M16V6.3X5.5TR13F	22	16	6.3X5.5
NACEN330M16V6.3X5.5TR13F	33	16	6.3X5.5
NACEN3R3M25V4X5.5TR13F	3.3	25	4X5.5
NACEN3R3M25V4X5.5TR15F	3.3	25	4X5.5
NACEN4R7M25V5X5.5TR13F	4.7	25	5X5.5
NACEN100M25V6.3X5.5TR13F	10	25	6.3X5.5
NACEN2R2M35V4X5.5TR13F	2.2	35	4X5.5
NACEN2R2M35V4X5.5TR15F	2.2	35	4X5.5
NACEN3R3M35V5X5.5TR13F	3.3	35	5X5.5
NACEN4R7M35V5X5.5TR13F	4.7	35	5X5.5
NACEN100M35V6.3X5.5TR13F	10	35	6.3X5.5
NACEN1R0M50V4X5.5TR13F	1.0	50	4X5.5
NACEN1R0M50V4X5.5TR15F	1.0	50	4X5.5
NACEN2R2M50V5X5.5TR13F	2.2	50	5X5.5
NACEN3R3M50V5X5.5TR13F	3.3	50	5X5.5
NACEN4R7M50V6.3X5.5TR13F	4.7	50	6.3X5.5
NACEN100M50V6.3X5.5TR13F	10	50	6.3X5.5

www.nicomp.com/pcn | Technical Support:



tpmg@nicomp.com

Prepared by: Technical Product Marketing Group / tpmg@nicomp.com

→ Follow NIC PCN alerts to get email notifications of EOL and PCN announcements at www.nicomp.com/pcn

Use our Quickbuilder tool to find possible alternatives for the discontinued parts:

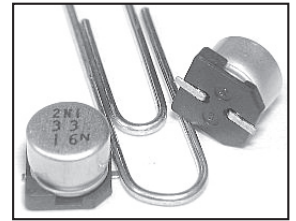
http://www.nicomp.com/QuickBUILDER/qb_capacitor.php

Surface Mount Aluminum Electrolytic Capacitors NACEN Series

FEATURES

- CYLINDRICAL V-CHIP CONSTRUCTION FOR SURFACE MOUNTING
- NON-POLARIZED, 2000 HOURS AT 85°C
- 5.5mm HEIGHT
- DESIGNED FOR REFLOW SOLDERING

RoHS Compliant
includes all homogeneous materials



*See Part Number System for Details

CHARACTERISTICS

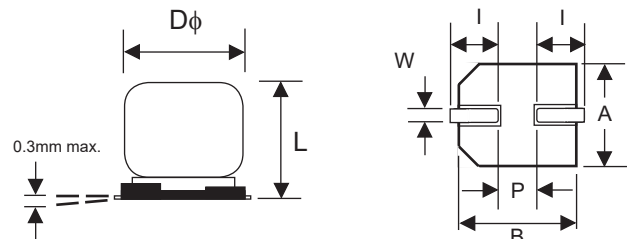
Rated Voltage Rating	6.3 ~ 50Vdc						
Rated Capacitance Range	1.0 ~ 47 μ F						
Operating Temperature Range	-40° ~ +85°C						
Capacitance Tolerance	\pm 20%(M)						
Max. Leakage Current After 1 Minutes at 20°C	0.03CV +6 μ A maximum						
Max. Tan δ @ 120Hz/20°C	W.V. (Vdc)	6.3	10	16	25	35	50
	Tan δ @ 120Hz/20°C	0.24	0.20	0.17	0.17	0.15	0.15
Low Temperature Stability (Impedance Ratio @ 120Hz)	W.V. (Vdc)	6.3	10	16	25	35	50
	Z-40°C/Z +20°C	4	3	2	2	2	2
	Z-40°C/Z +20°C	8	8	4	4	3	3
Load Life Test at Rated W.V. 85°C 2,000 Hours (Reverse polarity every 500 hours)	Capacitance Change	Within \pm 25% of initial measured value					
	Tan δ	Less than 200% of specified value					
	Leakage Current	Less than specified value					

STANDARD PRODUCT AND CASE SIZE TABLE DXL (mm)

Cap. (μ F)	Code	Working Voltage (Vdc)					
		6.3	10	16	25	35	50
1.0	1R0	-	-	-	-	-	4x5.5
2.2	2R2	-	-	-	-	4x5.5	5x5.5
3.3	3R3	-	-	-	4x5.5	5x5.5	5x5.5
4.7	4R7	-	-	4x5.5	5x5.5*	5x5.5	6.3x5.5
10	100	-	4x5.5	5x5.5	6.3x5.5	6.3x5.5	6.3x5.5
22	220	5x5.5	6.3x5.5	6.3x5.5	-	-	-
33	330	6.3x5.5	6.3x5.5	6.3x5.5	-	-	-
47	470	6.3x5.5	-	-	-	-	-

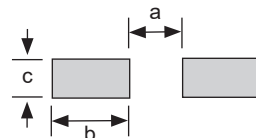
DIMENSIONS (mm)

Case Size	D ϕ ±0.5	L max.	A/B±0.2	I ± 0.2	W	P±0.2
4x5.5	4.0	5.5	4.3	1.8	0.5 ~ 0.8	1.0
5x5.5	5.0	5.5	5.3	2.1	0.5 ~ 0.8	1.4
6.3x5.5	6.3	5.5	6.6	2.5	0.5 ~ 0.8	2.2



RECOMMENDED LAND PATTERN DIMENSIONS (mm)

Case Size	a	b	c
4 ϕ	1.0	2.6	1.8
5 ϕ	1.4	3.0	1.8
6.3 ϕ	2.1	3.5	1.8



PRECAUTIONS

Please review the notes on correct use, safety and precautions found at <https://www.niccomp.com/resource/files/aluminum/AlumApplInfoCautions.pdf>
If in doubt or uncertainty, please review your specific application - process details with NIC's technical support personnel: tpmg@niccomp.com

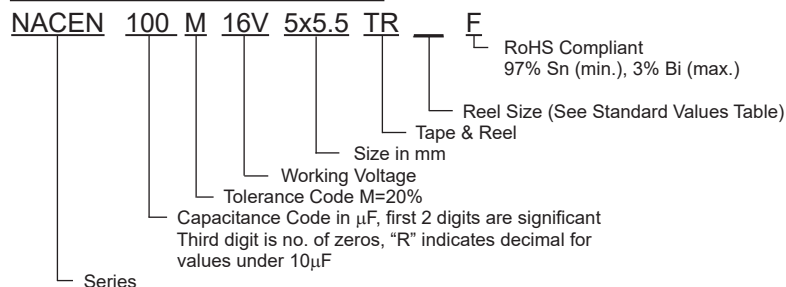
Surface Mount Aluminum Electrolytic Capacitors NACEN Series

STANDARD VALUES, CASE SIZES AND SPECIFICATIONS

NIC Part Number	Cap. (μF)	W.V. (Vdc)	Dissipation Factor (Tan δ)	Max. Ripple Current (mA) +85°C/120Hz	Load Life Hours @ +85°C
NACEN220M6.3V5X5.5TR13F	22	6.3	0.24	31	2,000
NACEN330M6.3V5X5.5TR13F	33		0.24	39	2,000
NACEN470M6.3V6.3X5.5TR13F	47		0.24	47	2,000
NACEN100M10V4X5.5TR_F	10	10	0.20	17	2,000
NACEN220M10V6.3X5.5TR13F	22		0.20	35	2,000
NACEN330M10V6.3X5.5TR13F	33		0.20	43	2,000
NACEN4R7M16V4X5.5TR_F	4.7	16	0.17	12	2,000
NACEN100M16V5X5.5TR13F	10		0.17	25	2,000
NACEN220M16V6.3X5.5TR13F	22		0.17	39	2,000
NACEN330M16V6.3X5.5TR13F	33		0.17	57	2,000
NACEN3R3M25V4X5.5TR_F	3.3	25	0.17	10	2,000
NACEN4R7M25V5X5.5TR13F	4.7		0.17	19	2,000
NACEN100M25V6.3X5.5TR13F	10		0.17	28	2,000
NACEN2R2M35V4X5.5TR_F	2.2	35	0.15	8.4	2,000
NACEN3R3M35V5X5.5TR13F	3.3		0.15	17	2,000
NACEN4R7M35V5X5.5TR13F	4.7		0.15	20	2,000
NACEN100M35V6.3X5.5TR13F	10		0.15	30	2,000
NACEN1R0M50V4X5.5TR_F	1.0	50	0.15	10	2,000
NACEN2R2M50V5X5.5TR13F	2.2		0.15	15	2,000
NACEN3R3M50V5X5.5TR13F	3.3		0.15	18	2,000
NACEN4R7M50V6.3X5.5TR13F	4.7		0.15	23	2,000
NACEN100M50V6.3X5.5TR13F	10		0.15	23	2,000

Part Number Suffix Where __: Preferred (15" reel) = 15, Legacy (13" reel) = 13 (check with NIC for availability)

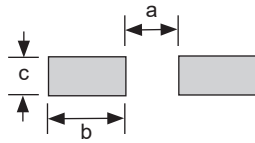
PART NUMBER SYSTEM



Surface Mount Aluminum Electrolytic Capacitors NACEN Series

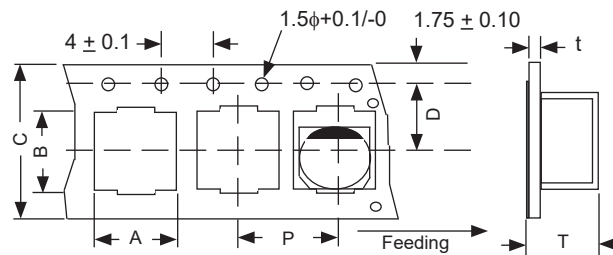
RECOMMENDED LAND PATTERN DIMENSIONS (mm)

Case Size	a	b	c
4x5.5	1.0	2.6	1.8
5x5.5	1.4	3.0	1.8
6x3x5.5	1.8	3.6	1.8



CARRIER TAPE DIMENSIONS & REEL QTY

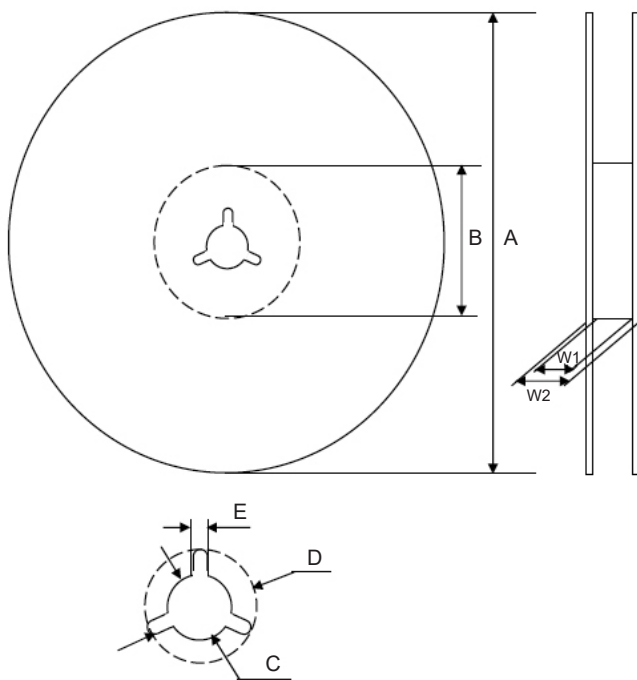
Case Size	A ±0.5	B ±0.5	C ±0.3	D ±0.1	P ±0.1	T ±0.2	t ±0.1
4x5.5	4.7	4.7	12.0	5.5	8.0	5.8	0.6
5x5.5	5.7	5.7	12.0	5.5	12.0	5.8	0.6
6.3x5.5	7.0	7.0	16.0	7.5	12.0	5.8	0.6



Review & Compare Reflow Soldering Heat Limits
 V-chip SMT Aluminum Electrolytic Capacitors
www.niccomp.com/RSL

Surface Mount Aluminum Electrolytic Capacitors NACEN Series

Preferred V-Chip 15" (380mm) Reels (TR15F suffix)



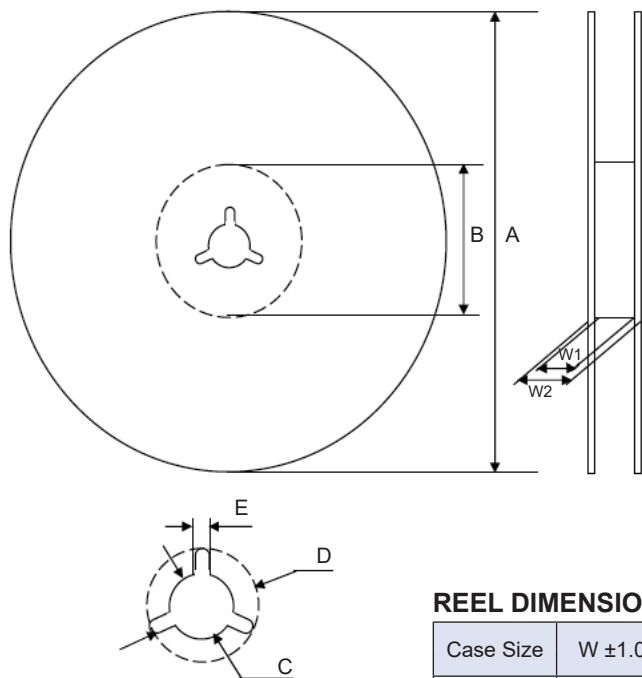
Dimensions (mm)

Case Size	Tape Width	W1	W2
4x5.5	12.0	12.5 ~ 14.0	15.5 ~ 20.0

Case Size	Tape Width	A	B	C	D	E
4x5.5	12.0	$\phi 380 \pm 2$	$\phi 80 \sim 105$	$\phi 13 \pm 0.5$	$\phi 21 \pm 1.0$	2.0 ± 0.5

Color
Black or Blue

Optional V-Chip 13" (330mm) Reels (TR13F suffix)



Dimensions (mm)

Case Size	Tape Width	W1	W2
4x5.5, 5x5.5	12.0	12.4 ~ 14.4	15.5 ~ 20.0
6.3x5.5	16.0	16.4 ~ 18.4	19.5 ~ 24.0

Case Size	Tape Width	A	B	C	D	E
4x5.5, 5x5.5	12.0	$\phi 330 \pm 2.0$	$\phi 50 \sim 105$	$\phi 13 \pm 0.5$	$\phi 21 \pm 1.0$	2.0 ± 0.5
6.3x5.5	16.0					

Color
Black or Blue

REEL DIMENSIONS & REEL QTY

Case Size	W ± 1.0	Quantity Per Reel	
		13" (330mm)	15" (380mm)
4x5.5	14	1500	2000
5x5.5	14	1000	-
6.3x5.5	18	1000	-