

Tous droits strictement réservés. Reproduction ou communication à des tiers interdite sans quelque forme que ce soit sans autorisation écrite du propriétaire. Propriété de c.FCI. Droits de reproduction FCI.

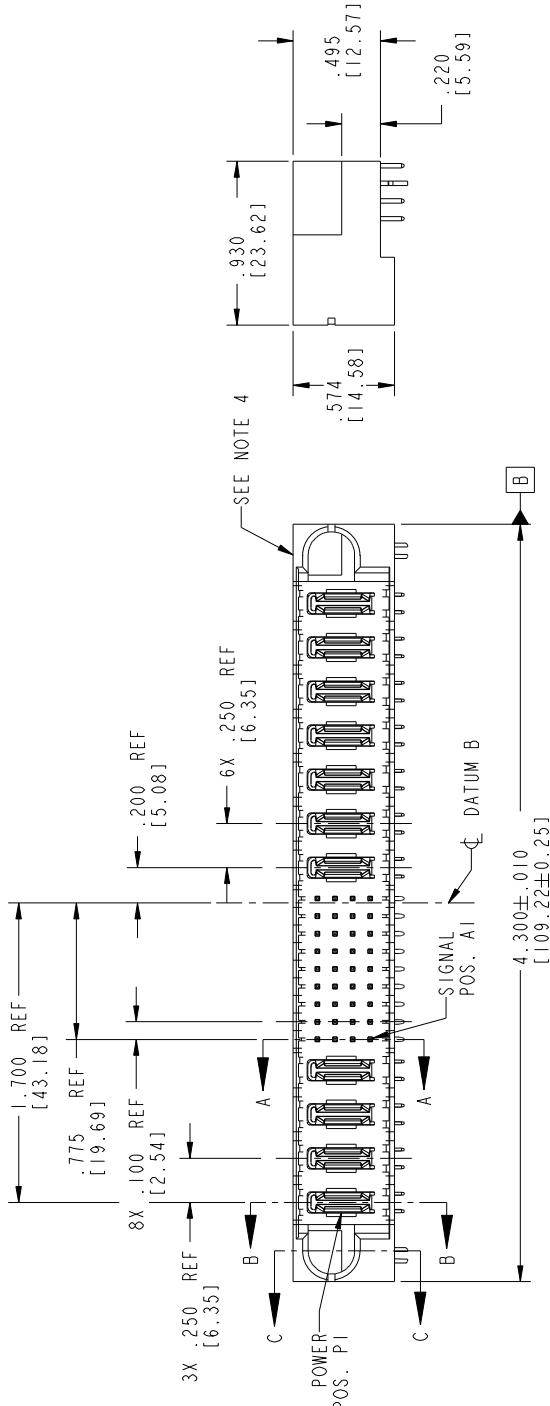
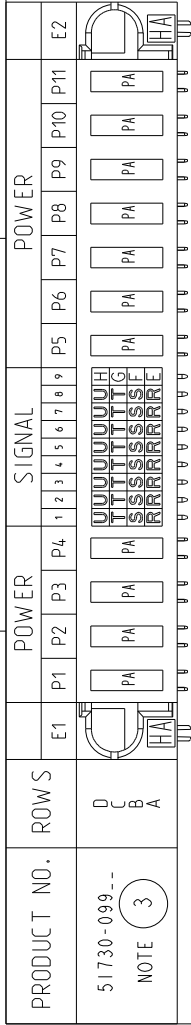


All rights strictly reserved. Reproduction or issue to third parties in any form whatever is not permitted without written authority from the proprietor. Property of FCI. Copyright FCI.

4

3

1 | 2



CODE	DIM "M" MATING LENGTH	CONTACT TYPE
E	.220 [5.59]	SIGNAL
F	.220 [5.59]	SIGNAL
G	.220 [5.59]	SIGNAL
H	.220 [5.59]	SIGNAL
R	.270 [6.86]	SIGNAL
S	.270 [6.86]	SIGNAL
T	.270 [6.86]	SIGNAL
U	.270 [6.86]	SIGNAL
PA	N/A [N/A]	POWER
HA	N/A [N/A]	HOLD-DOWN

mat'l code		SEE NOTE 2		tolerances unless otherwise specified		CUSTOMER		FCI	
lir	ecm no.	dr	date	linear	angles	engr	chr	appd	sheet index
A	V04-0689	TAB	07/06/04	.XX±.010.XX±0.13	0°±2°	T. BRUNGARD	M. GRAY	07/06/04	1 of 4
B	V04-1133	TAB	12/01/04	.XX±.00570.XX±0.13			M. GRAY	07/06/04	1 of 4
C	D605-0549	CS	12/15/05	.XX±.00200.XX±0.051			M. GRAY	07/06/04	1 of 4
D	D6008-0253	SH	09/13/08				M. GRAY	07/06/04	1 of 4

www.fciconnect.com	title	4P + 36S + 7P
	product family	RIGHT ANGLE SOLDER HEADER
	product size	2 13
	PwrBl code	A
	dwg no	51730-099
	sheet	1 of 4

1 | 2

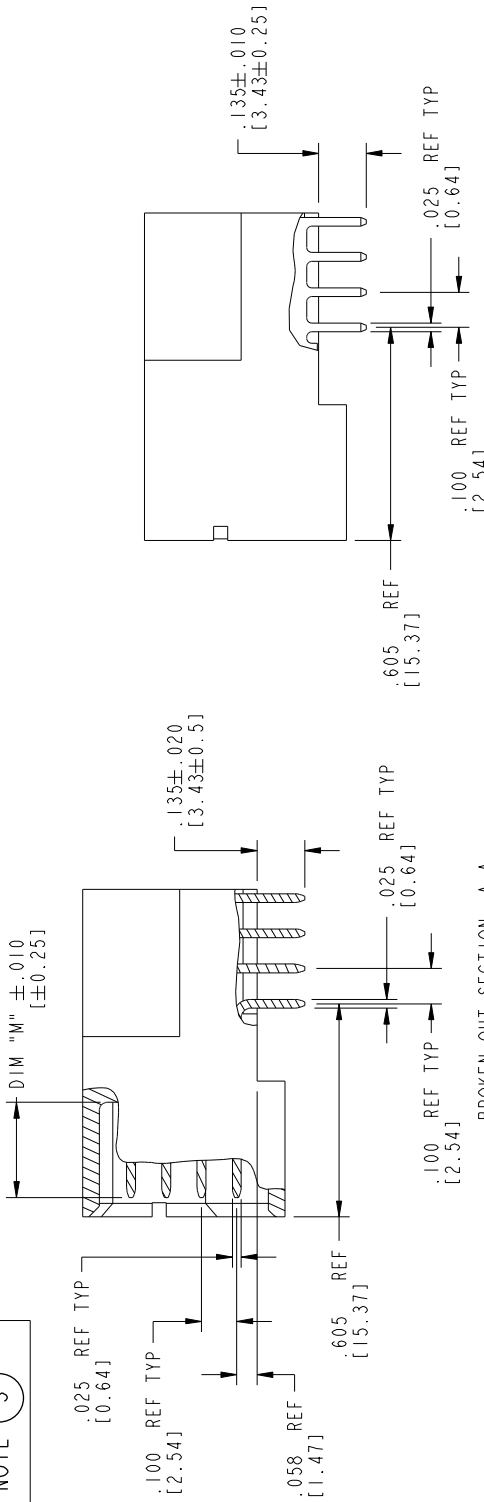
Pro/E

3

4

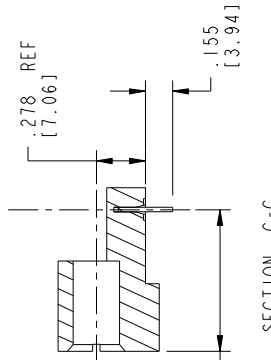
cage code 22526

PRODUCT NUMBER
51730-099--
NOTE (3)



BROKEN-OUT SECTION A-A
SCALE 2:1

BROKEN-OUT SECTION B-B
SCALE 2:1



SECTION C-C



All rights strictly reserved. Reproduction or issue to third parties in any form whatever is not permitted without written authority from the proprietor. Property of FCI. Copyright FCI.

Tous droits strictement réservés. Reproduction ou communication à des tiers interdite sous quelque forme que ce soit sans autorisation écrite du propriétaire. Propriété de FCI. Droits de reproduction FCI.

mat'l code		SEE NOTE 2		tolerances unless otherwise specified		CUSTOMER		FCI	
ltr	ecn no.	dr	date	linear	angles	projection	copy	title	www.fciconnect.com
D				.XX±.010.XX±0.3	.XXX±.0020.XX±0.051	1st angle	4P + 36S + 7P	RIGHT ANGLE SOLDER HEADER	
				.XXX±.0020.XX±0.051	0°±2°	INCH/MM	product family	4P + 36S + 7P	
						1:1	dwg no	RIGHT ANGLE SOLDER HEADER	
							size	product family	
							213	PwrBl code	
							A	code	
							2 of 4	sheet	
							51730-099	2 of 4	
								code	
								22526	
								4	

Pro/E

4

PRODUCT NUMBER
51730-099--
NOTE 3

Tous droits strictement réservés. Reproduction ou communication à des tiers interdite sans quelque forme que ce soit sans autorisation écrite du propriétaire.
Propriété de c FCI. Droits de reproduction FCI.

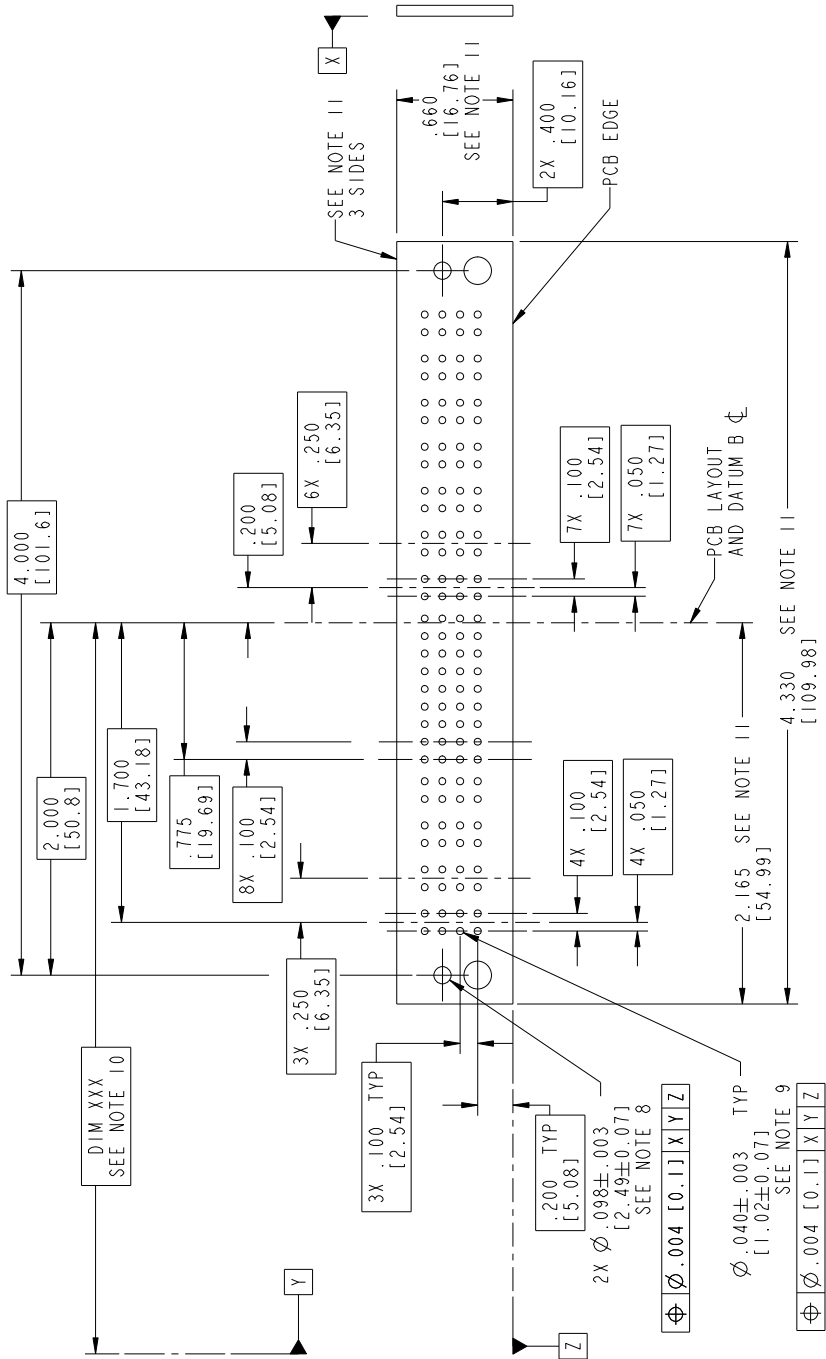


All rights strictly reserved. Reproduction or issue to third parties in any form whatever is not permitted without written authority from the proprietor.
Property of FCI. Copyright FCI.

4

3

1 | 2



mat'l code		SEE NOTE 2		tolerances unless otherwise specified		CUSTOMER		FCI	
lir	ecm no.	dr	date	linear	.XX±.010, .XX±0.13	COPY		www.fciconnect.com	
D				angles	.XXX±.0020, .XXX±0.051	projection		title	
				dr	0±.051	INCH/MM		4P + 36S + 7P	
				enr	T. BRUNGARD 07/06/04	scale		RIGHT ANGLE SOLDER HEADER	
				chr	M. GRAY 07/06/04	1:1		product family	
				appd	M. GRAY 07/06/04	3 of 4		PwrBl code	
sheet index	revision	sheet	sheet			A		size	
						3 of 4		code	
						213		sheet	
						A		3 of 4	
						51730-099		cage code	
						22526		4	

B

3 |

1 | 2

A

1 | 2

3

4

PRODUCT NUMBER
51730-099--
NOTE (3)

NOTES:

1. DIMENSIONS AND TOLERANCES ARE IN ACCORDANCE WITH ASME Y14.5M, 1994 UNLESS OTHERWISE SPECIFIED.

CONNECTOR NOTES:

(2) HOUSING MATERIAL: UL 94 V-0 GLASS FILLED
HIGH-TEMP THERMOPLASTIC
POWER CONTACT MATERIAL: COPPER ALLOY
SIGNAL PIN MATERIAL: COPPER ALLOY

3. PLATING:

SEE ITEM 1 & 2 IN PRINT 10064183 FOR PLATING SPEC OF 51730-099 AND 51730-099LF RESPECTIVELY

(4) MANUFACTURER'S NAME, P/N, AND DATE CODE TO APPEAR ON THIS SURFACE.

5. PRODUCT SPECIFICATION GS-12-149,
APPLICATION SPECIFICATION BUS-20-067.

6. PACKAGED IN TRAYS.

PCB NOTES:

7. ALL HOLE DIAMETERS ARE FINISHED HOLE SIZE.

(8) MOUNTING HOLES, WHERE APPLICABLE, ARE UNPLATED.

(9) $\varnothing .0453 \pm .0010$ [1.151 ± 0.025] DRILLED HOLES PLATED WITH
.0003 [0.008] MIN SnPb OVER .001 [0.03]
TO .003 [0.08] Cu PLATING TO ACHIEVE
 $\varnothing .040 \pm .003$ [$1.02 \pm .07$] HOLE.

(10) "DIM XXX" TO BE DETERMINED BY THE CUSTOMER.

(11) CONNECTOR KEEP-OUT ZONE.

12:A Δ SYMBOL WILL BE NEXT TO ANY DIMENSION, VIEW,
OR NOTE WHICH HAS BEEN MODIFIED WITH CURRENT
DRAWING VERSION.

Tous droits strictement reserves. Reproduction ou communication a des tiers interdite
sous quelque forme que ce soit sans autorisation écrite du propriétaire.
Propriete de c FCI. Droits de reproduction FCI.



All rights strictly reserved. Reproduction or issue to third parties in any
form whatever is not permitted without written authority from the proprietor.
Property of FCI. Copyright FCI.

A

B

mat'l code		SEE NOTE 2		tolerances unless otherwise specified		CUSTOMER		FCI		www.fciconnect.com	
lir	ecrn no.	dr	date	linear	angular	projection	COPY	title	product family	dwg no	PwrBl code
0				.XX±.010.XX±0.13	.XXX±.0020.0.XX±0.051	\varnothing	4P + 36S + 7P	RIGHT ANGLE SOLDER HEADER	4P + 36S + 7P	213	
				0°±0°			INCH/MM			A	4 of 4
				dr T. BRUNGARD 07/06/04	dr M. GRAY 07/06/04		scale				
				chr M. GRAY 07/06/04	appr M. GRAY 07/06/04		1:1				
sheet index	revision	sheet									
											cage code 22526
		1 2				Pro/E		3		4	