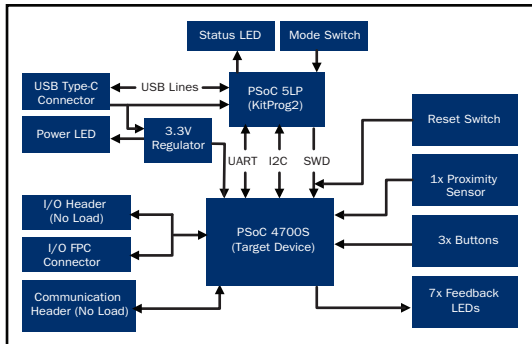


CY8CKIT-148 PSoc® 4700S INDUCTIVE SENSING EVALUATION KIT QUICK START GUIDE

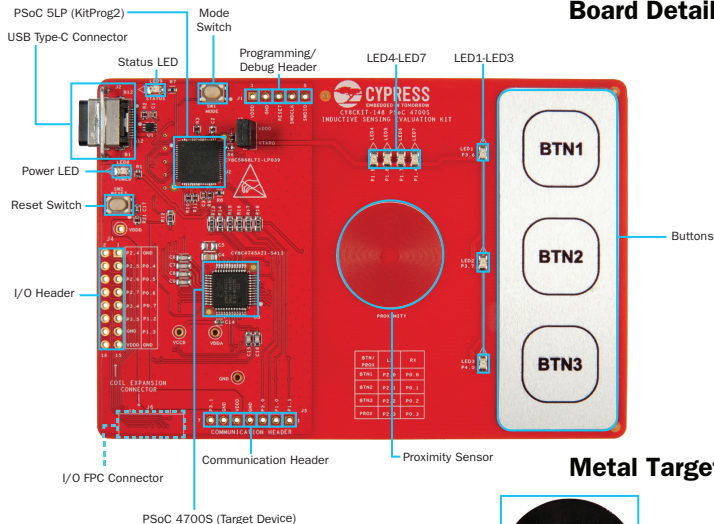
Block Diagram



1. Power the PSoC 4700S kit by plugging the USB Type-A to Type-C cable (provided with this kit) to the USB connector (J2).
2. Press the buttons (BTN1-BTN3) and their corresponding LEDs (LED1-LED3) will turn ON.
3. Bring the metal target closer to the proximity sensor, LEDs (LED4-LED7) will turn ON as the metal target approaches closer to the sensor coil. Maximum proximity range is 2 cm.
4. When you operate the button or proximity sensor for a longer duration, the auto-reset feature will automatically disable the button or proximity and its corresponding LED.

Note: Install the PSoC 4700S device and latest MagSense™ component using PSoC Creator. For more information, please refer to the kit guide.

Board Details



PSoC 4700S (Target Device)

Note: I/O FPC Connector is loaded on bottom side of the PCB

Metal Target



For more information, please visit: www.cypress.com/CY8CKIT-148