

## FEATURES

- Sliding lock
- Without locking
- Material: Black polyamide
- Cut of profile:  
38.2 x 26 mm

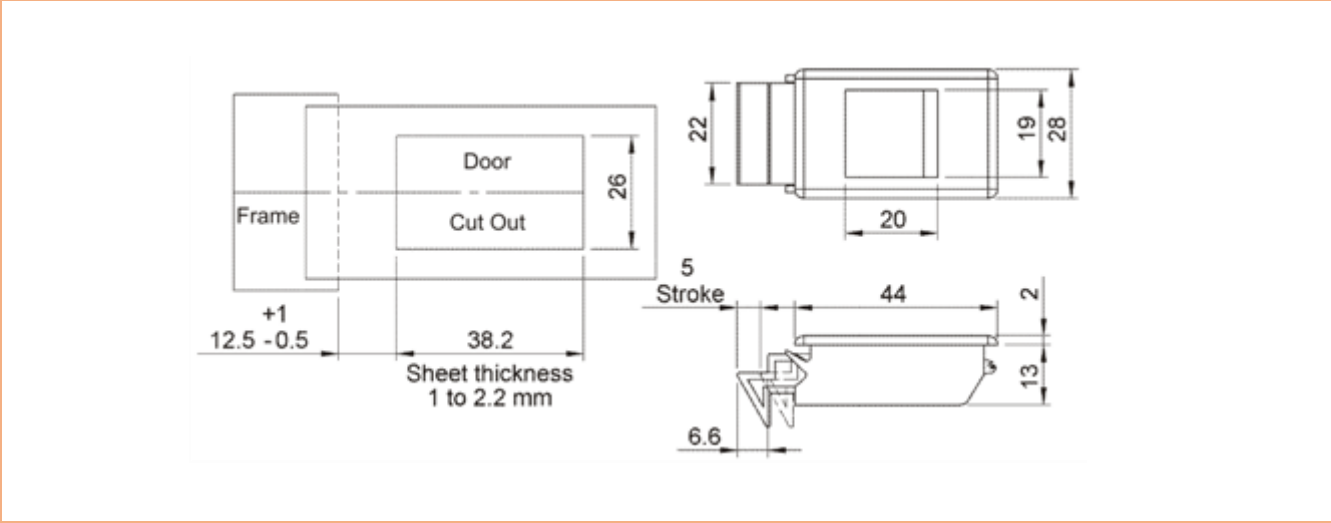
## RS PRO Sliding lock

RS Stock No.: 44428 PO



RS Professionally Approved Products bring to you professional quality parts across all product categories. Our product range has been tested by engineers and provides a comparable quality to the leading brands without paying a premium price.

**Technical drawing:**



**General Specifications**

<b>Body material</b>	Black polyamide
<b>Sliding insert material</b>	Black polyamide
<b>Compression spring</b>	Stainless steel wire Ø 0.5 mm
<b>Cut of profile</b>	38.2 x 26 mm
<b>Fixing method</b>	To clip-on
<b>Clip-on thickness</b>	From 1 to 2.2 mm
<b>Application</b>	Doors latches

**Classification**

<b>eCI@ss</b> Version	
<b>UNSPSC</b> Version	

**Approvals**

<b>Compliance/Certifications</b>	ISO 9001
<b>Declarations</b>	

**Similar Products**

Parameters	Stock#	Stock#	Stock#	Stock#
Material				
Finish				
Lockable				
Spring Loaded				
Adjustable				
Operating Tension				
Package				
Gate Latch Type				
Safety				
Colour				
Dimensions				
Depth				
Length				
Width				
Weight				
Fix Hole Diameter				
Strength				
Handle Moves				
Bar Opens				

**INCLUDES WITH PRODUCT: / STANDARD ACCESSORIES / CONSTRUCTIONAL DIAGRAM**