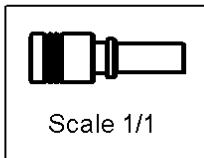
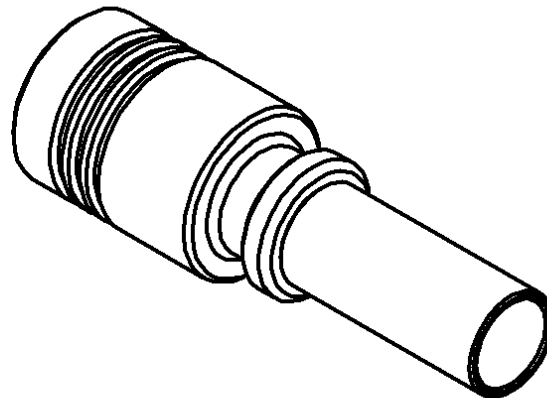
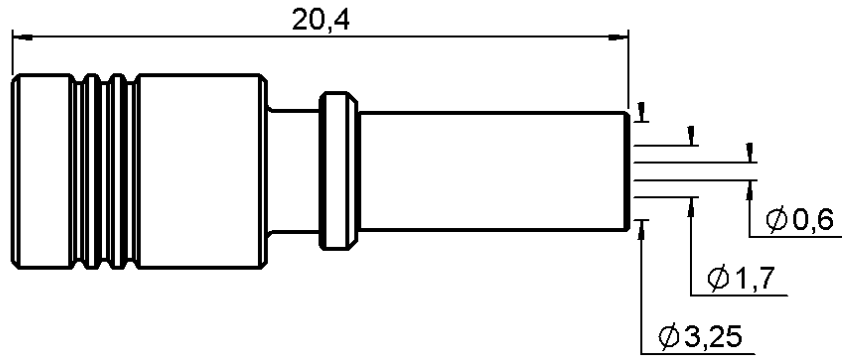


**STRAIGHT PLUG CRIMP TYPE**

**R114.082.000**

**CABLE 2.6/50+75 S**

Series : **SMB**



All dimensions are in mm.

COMPONENTS	MATERIALS	PLATING
<b>BODY</b>	<b>BRASS</b>	<b>GOLD 0.2 OVER NICKEL 2 μm</b>
<b>CENTRE CONTACT</b>	<b>BERYLLIUM COPPER</b>	<b>GOLD 1.3 OVER NICKEL 2 μm</b>
<b>OUTER CONTACT</b>	<b>BERYLLIUM COPPER</b>	<b>GOLD 0.5 OVER NICKEL 2 μm</b>
<b>INSULATOR</b>	<b>PTFE</b>	
<b>GASKET</b>	-	
<b>OTHERS PARTS</b>	<b>BRASS</b>	<b>GOLD 0.2 OVER NICKEL 2 μm</b>
-	-	-
-	-	-



Edition : 9850 A

Design changes may be in order to improve the product.

**STRAIGHT PLUG CRIMP TYPE**

**R114.082.000**

**CABLE 2.6/50+75 S**

Series : **SMB**

**ELECTRICAL CHARACTERISTICS**

Impedance **50** Ω  
 Frequency **0-4** GHz  
 VSWR **1.25 + 0.040** x F(GHz) Maxi  
 Insertion loss **0.25** √F(GHz) dB  
 RF leakage - ( **57** - F(GHz)) dB mini  
 Operating temperature **-65/+165** °C  
 Voltage rating **335** Veff Maxi  
 Dielectric withstanding **1000** Veff mini  
 Insulation resistance **1000** MΩ mini

**SPECIFICATION**

Stripping	a	b	c	d	e	f
mm	2.50	5.40	11.0	0.00	8.50	0.00

Assembly instruction : **Crimp 01**

Recommended cables

- RG 316
- KX 22A
- RG 188
- RG 179
- RG 187

Cable retention

- pull off **110** N mini
- torque **3.9** N.cm

**MECHANICAL CHARACTERISTICS**

Centre contact retention  
 Axial force – Mating end **10** N mini  
 Axial force – Opposite end **10** N mini  
 Torque **NA** N.cm mini

**TOOLING**

Part Number	Description	Hexagon
.	.	.
R282.211.000	CRIMPING TOOL	3.25
R282.235.003	CRIMPING DIES	3.25
R282.281.000		2x4(pos.3->50 pos.1->75)
R282.293.000	CRIMPING TOOL	-
R282.983.000	POSITIONER FOR TOOL R282 281 000	-

Recommended torque

Mating **NA** N.cm  
 Panel nut **NA** N.cm  
 Clamp nut **NA** N.cm  
 A/F clamp nut **0.000** mm

Mating life **500** Cycles mini  
 Weight **2.000** g

**ENVIRONMENTAL**

Hermetic seal **NA** Atm.cm3/s  
 Leakage – pressurised only **NA** Mpa

**OTHERS CHARACTERISTICS**

-



Edition : 9850 A

Design changes may be in order to improve the product.