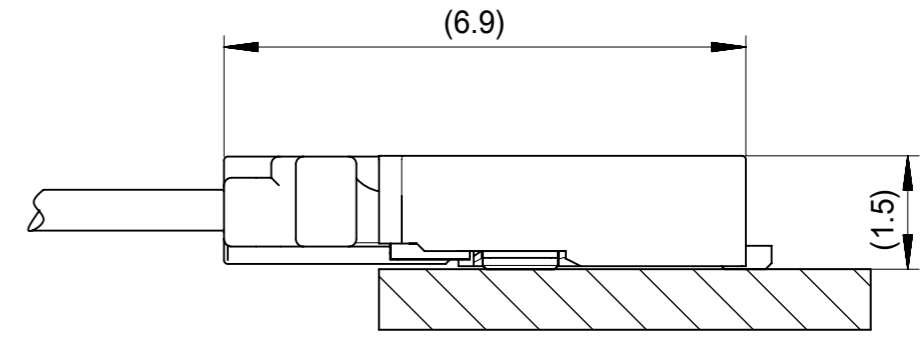
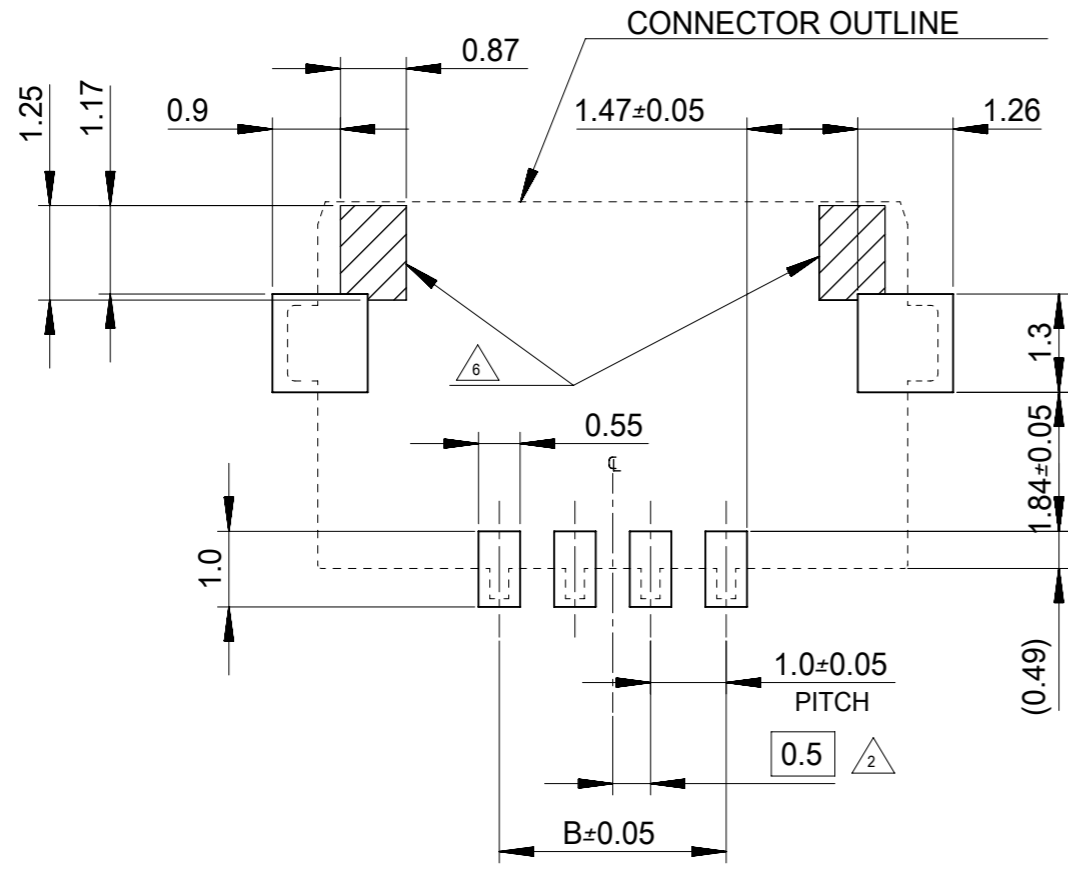


NOTE

1. 嵌合相手 : 503764シリーズ
MATES WITH : 503764 SERIES
- △ 2. 偶数極の製品に適用
APPLY EVEN CIRCUIT PRODUCTS.
3. 材質
MATERIAL
ハウジング:ポリアミド(PA) UL94-V0 B L A C K
HOUSING :POLYAMIDE(PA) UL94-V0 BLACK
ターミナル:銅合金
TERMINAL : COPPER ALLOY
ネール:銅合金
NAIL : COPPER ALLOY
4. めっき
PLATING
ターミナル:ニッケル下地めっき1.0micro-meter MIN.、コンタクト部:金めっき
0.1micro-meter MIN.、テール部 : 金めっき
TERMINAL : UNDER NICKEL PLATING 1.0micro-meter MIN. , CONTACT: GOLD
PLATING 0.1micro-meter MIN. , TAIL GOLD PLATING
ネール : ニッケル下地めっき 1.0micro-meter MIN. 無光沢錫めっき 1.0micro-meter MIN.
NAIL:UNDER NICKEL PLATING 1.0micro-meter MIN.
MATTE TIN PLATING 1.0micro-meter MIN.
5. ELV及びR o H S 適合品
ELV AND RoHS COMPLIANT.
- △ 6. パターン禁止エリア
PATTERN PROHIBITION AREA
7. ソルダーテールとネイルの平坦度 : 0.1mm M A X .
SOLDER TAIL AND FITTING NAIL COPLANARITY : 0.1mmMAX.
8. 製品仕様及び取扱いについては、製品仕様書PS-503764-001
及びコネクタ取扱説明書AS-503764-001/002を参照願います。
PLEASE REFER TO PRODUCT SPECIFICATION
PS-503764-001 AND APPLICATION
SPECIFICATION AS-503764-001/002.
9. 梱包仕様書 : SPK-503763-001.
PACKING INFORMATION SPK-503763-001.

5.0	9.8	5037630691	6
4.0	8.8	5037630591	5
3.0	7.8	5037630491	4
2.0	6.8	5037630391	3
1.0	5.8	5037630291	2
B	A	EMBOSSED PACKAGE ORDER NO.	CIRCUIT

SYMBOLS	THIS DRAWING CONTAINS INFORMATION THAT IS PROPRIETARY TO MOLEX ELECTRONIC TECHNOLOGIES, LLC AND SHOULD NOT BE USED WITHOUT WRITTEN PERMISSION		CURRENT REV DESC:		
	▽ = 0	mm	SCALE	NTS	
▽ = 0	GENERAL TOLERANCES (UNLESS SPECIFIED)		EC NO: 609635		PICO-LOCK1.0 HDRASSY SGLRW R/A H=1.5 PRODUCT CUSTOMER DRAWING
▽ = 0	ANGULAR TOL ± 1.0°		DRWN: QHE31 2018/02/16		
▽ = 0	4 PLACES ± 0.2		CHK'D: SAKIYAMA 2018/12/27		
▽ = 0	3 PLACES ± 0.2		APPR: TKANEKO 2018/12/27		DOCUMENT NUMBER SD-503763-001
▽ = 0	2 PLACES ± 0.2		INITIAL REVISION:		
▽ = 0	1 PLACE ± 0.2		DRWN: YWAKE 2014/03/03		DOC TYPE
▽ = 0	0 PLACES ± 0.2		APPR: NUKITA 2014/03/05		DOC PART
■ = 0	DRAFT WHERE APPLICABLE MUST REMAIN WITHIN DIMENSIONS		THIRD ANGLE PROJECTION	DRAWING	REVISION
▽ = 0				A3-SIZE	001
			SERIES	MATERIAL NUMBER	CUSTOMER
			503763	SEE CHART OF SHEET 1	GENERAL MARKET
					SHEET NUMBER
					1 OF 2

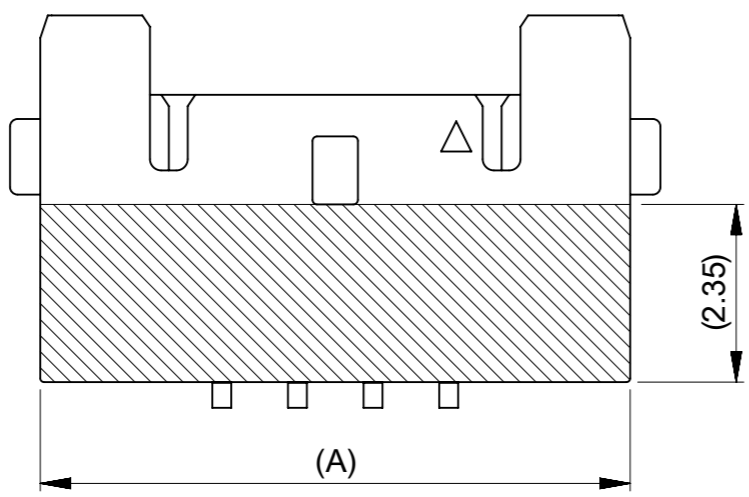


MATED CONNECTORS

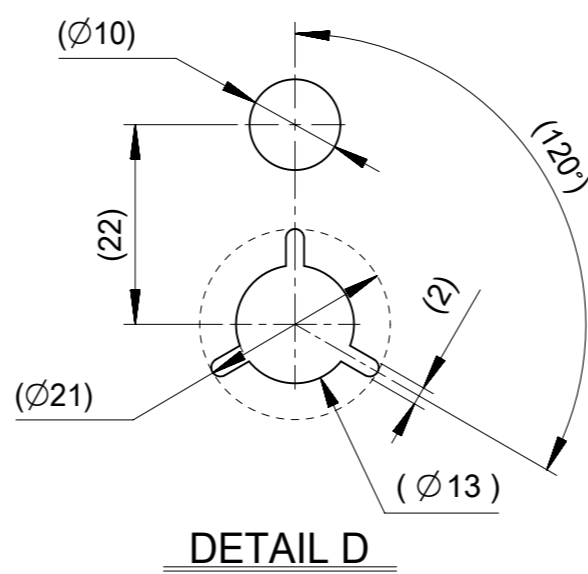
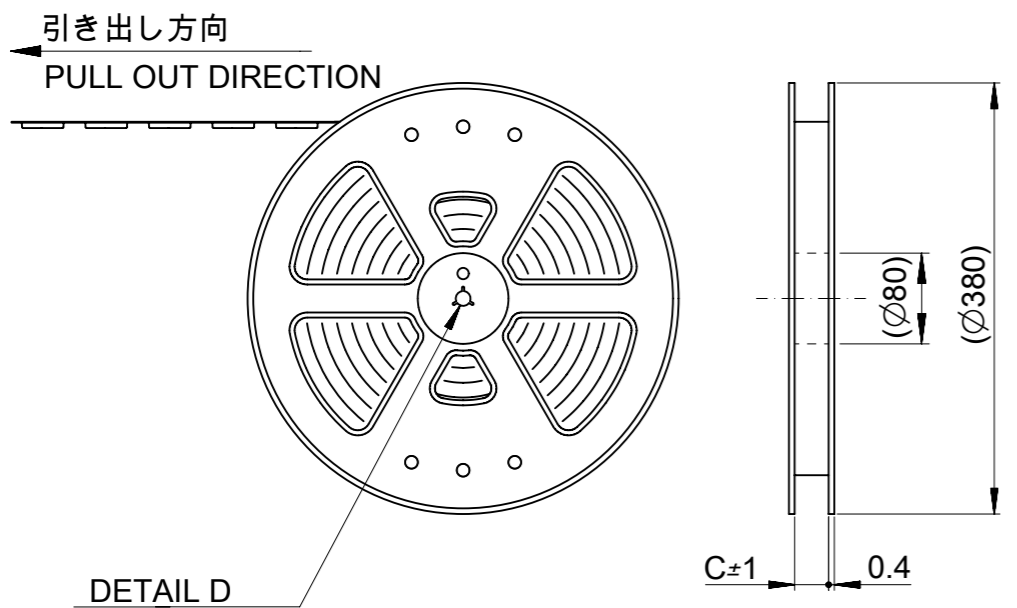
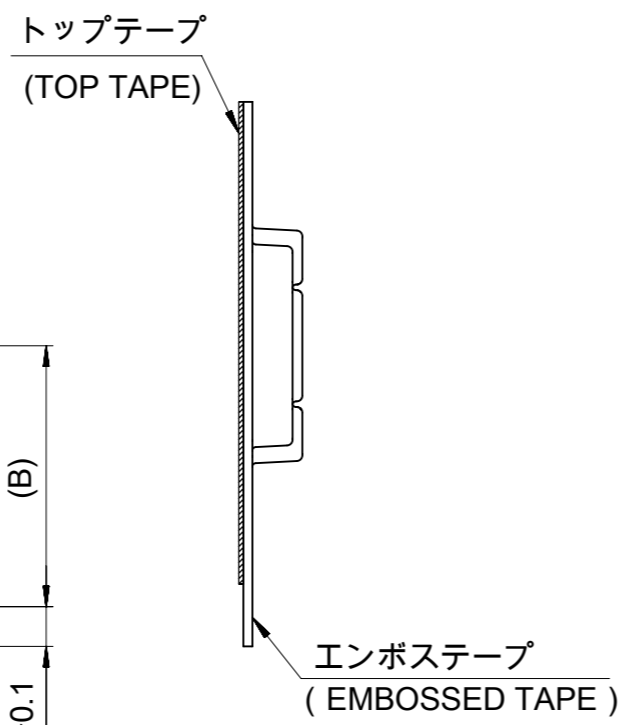
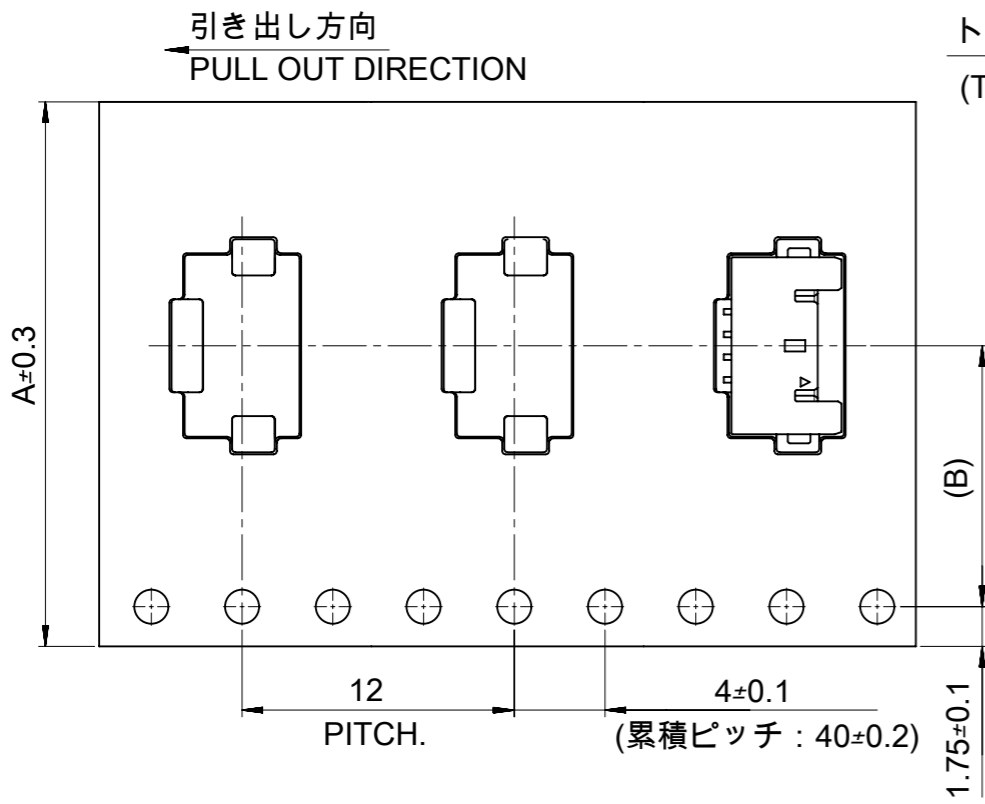
RECOMMENDED PATTERN LAYOUT (REF.)

推奨メタルマスク厚さ:0.1mm、開口率:100%
 RECOMMEND METAL MASK THICKNESS: 0.1mm, APERTURE RATIO: 100%

吸着エリア
 PICK-UP AREA



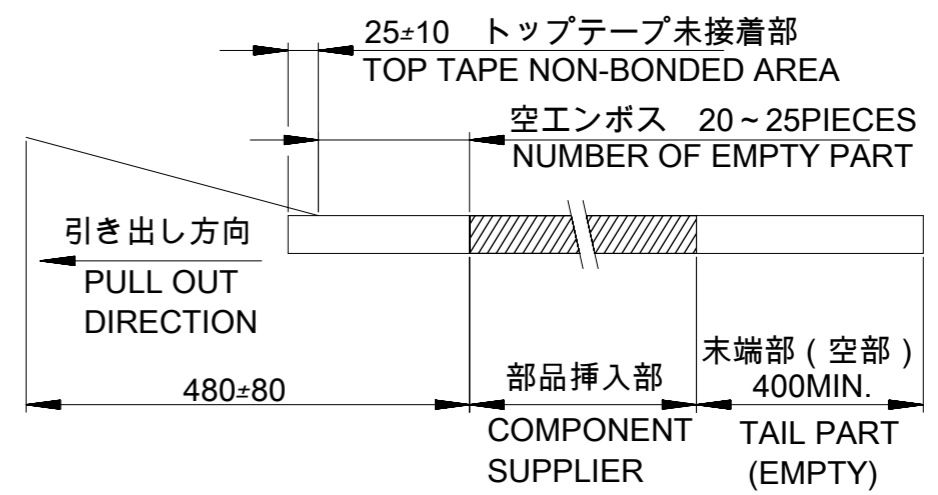
SYMBOLS	THIS DRAWING CONTAINS INFORMATION THAT IS PROPRIETARY TO MOLEX ELECTRONIC TECHNOLOGIES, LLC AND SHOULD NOT BE USED WITHOUT WRITTEN PERMISSION		CURRENT REV DESC:		molex		
	DIMENSION UNITS	SCALE					
▽ = 0	mm	NTS	EC NO: 609635		DOCUMENT NUMBER		
▽ = 0	GENERAL TOLERANCES (UNLESS SPECIFIED)		DRWN: QHE31 2018/02/16		SD-503763-001		
▽ = 0	ANGULAR TOL ± 1.0°		CHK'D: SAKIYAMA 2018/12/27		DOC TYPE DOC PART REVISION		
▽ = 0	4 PLACES ± 0.2		APPR: TKANEKO 2018/12/27		PSD 001 B		
▽ = 0	3 PLACES ± 0.2		INITIAL REVISION:		MATERIAL NUMBER CUSTOMER SHEET NUMBER		
▽ = 0	2 PLACES ± 0.2		DRWN: YWAKE 2014/03/03		SEE CHART OF SHEET 1 GENERAL MARKET 2 OF 2		
▽ = 0	1 PLACE ± 0.2		APPR: NUKITA 2014/03/05		A3-SIZE 503763		
▽ = 0	0 PLACES ± 0.2		DRAFT WHERE APPLICABLE MUST REMAIN WITHIN DIMENSIONS		THIRD ANGLE PROJECTION		



NOTE

1. 梱包数量: 3000個 / リール
NUMBER OF CONNECTORS: 3000 PIECES/REEL

2. リードテープ長さ
LEAD TAPE LENGTH



3. トップテープの剥離強度IEC 6 0 2 8 6 - 3に準拠の事。
TOP TAPE PEEL FORCE IS DEFINED BY IEC60286-3.0

4. 材料
MATERIALS
キャリアテープ:ポリスチレン(PS)
CARRIER TAPE: POLYSTYRENE(PS)
トップテープ:ポリエチレン(PE)、ポリエチレンテレフタレート(PET)
TOP TAPE: POLYETHYLENE(PE), POLYETHYLENE TEREPHTHALATE(PET)
リール:ポリスチレン(PS) (リサイクル材を含む)
REEL: POLYSTYRENE(PS) (RECYCLE MATERIAL CONTAINED)

5. 製品詳細寸法についてはSD-503763-001を参照ください。
PLEASE REFER TO SD-503763-001 FOR THE DETAIL DIMENSION.

25.5	11.5	24	5037630691	6
25.5	11.5	24	5037630591	5
25.5	11.5	24	5037630491	4
17.5	7.5	16	5037630391	3
17.5	7.5	16	5037630291	2
C	B	A	EMBOSSED PACKAGE	CIRCUIT
WIDTH OF TAPE			ORDER NO.	

THIS DRAWING CONTAINS INFORMATION THAT IS PROPRIETARY TO MOLEX ELECTRONIC TECHNOLOGIES, LLC AND SHOULD NOT BE USED WITHOUT WRITTEN PERMISSION		CURRENT REV DESC:		molex	
DIMENSION UNITS	SCALE				
mm	NTS			ETP FOR PICO-LOCK1.0 HDRASSY SGLRW R/A	
GENERAL TOLERANCES (UNLESS SPECIFIED)				PRODUCT CUSTOMER DRAWING	
ANGULAR TOL	± 1.0°	EC NO:	609635	DOCUMENT NUMBER	
4 PLACES	± 0.2	DRWN:	QHE31 2018/03/14	SD-503763-002	
3 PLACES	± 0.2	CHK'D:	SAKIYAMA 2018/12/27	DOC TYPE	DOC PART
2 PLACES	± 0.2	APPR:	TKANEKO 2018/12/27	PSD	001
1 PLACE	± 0.2	INITIAL REVISION:		REVISION	
0 PLACES	± 0.2	DRWN:	YWAKE 2014/02/28	B	
DRAFT WHERE APPLICABLE MUST REMAIN WITHIN DIMENSIONS		APPR:	NUKITA 2014/03/05	SHEET NUMBER	
THIRD ANGLE PROJECTION		DRAWING	SERIES	MATERIAL NUMBER	CUSTOMER
A3-SIZE		503763	SEE CHART	GENERAL MARKET	