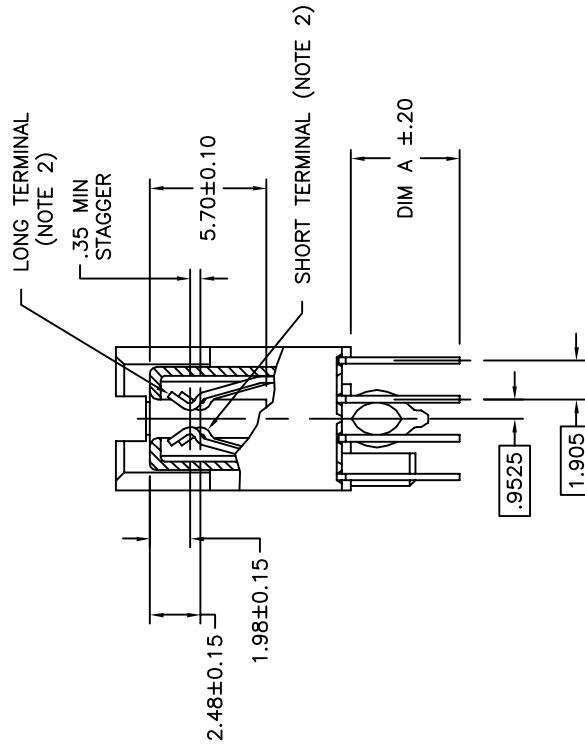
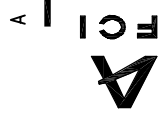


Tous droits strictement réservés. Reproduction ou communication à des tiers interdite sous quelque forme que ce soit sans autorisation écrite du propriétaire. Property of FCI. Copyright FCI.

All rights strictly reserved. Reproduction or issue to third parties in any form whatever is not permitted without written authority from the proprietor.



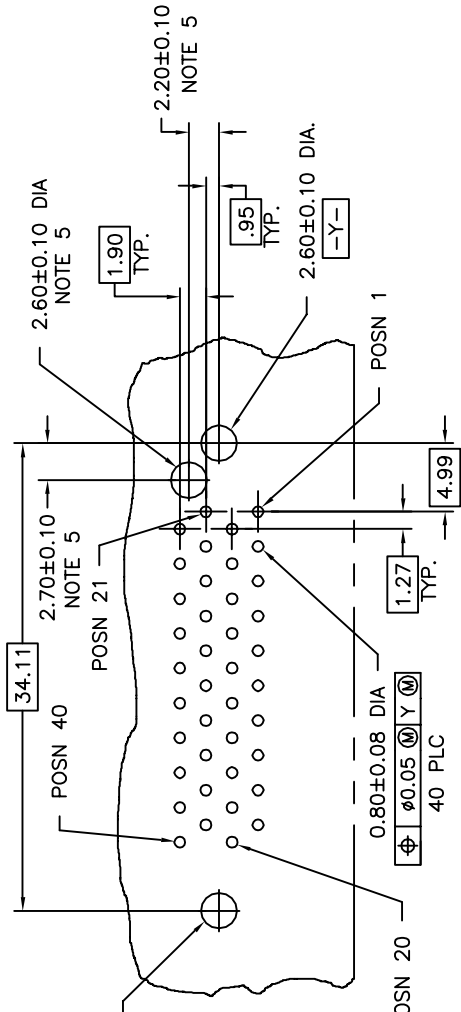
SECTION A-A

mat'l. code		tolerances unless otherwise specified		CUSTOMER COPY		CONFIDENTIAL	
ltr	ecn no	dr	date	linear	projection	A FCI www.fciconnect.com	
E				.XX ±.13	MM	title SCA-2 & FIBER CHANNEL	
				.XXX ±.051	MM	40 POS. RECEPT. ASSY	
				0' ±2"	MM	product family SCA-2	
				dr P. PARSONS	MM	size dwg no	
				enrgt J. DAVID	MM	A	
				chr G. LOO	MM	87567	
				appd JOEY NG	MM	code	
sheet	revision	sheet	index	scale	2:1	sheet 2 of	
						cage code 22526	
						4	

ACAD

PRODUCT NO.	"A" DIM	POLARIZATION PEG	PLATING	RECOMMENDED P.C. BOARD THICKNESS	PRODUCT NO.	PLATING	PRODUCT NO.	PLATING	PRODUCT NO.	PLATING
87567-001	3.79	YES		2.36mm (0.093") AND 3.18mm (0.125")	87567-101	NOTE ⑥	87567-001LF	NOTE ⑧	87567-101LF	NOTE ⑦
-002	3.79	NO	-102		-002LF		-102LF			
-003	4.60	YES	-103		-003LF		-103LF			
87567-004	4.60	NO	87567-104		87567-004LF		87567-104LF			

NOTE 6 | NOTE 8 | NOTE 7



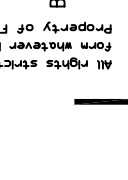
- NOTES :
- TRUE POSITION NOTES APPLY AT TERMINAL TIP.
 - CONTACTS IN POSITIONS 1 THRU 20,24,25,27,28, 30, 31, 33, AND 34 ARE SHORT TERMINALS. CONTACTS IN POSITIONS 21, 22, 23, 26, 29, 32, AND 35 THRU 40 ARE LONG TERMINALS.
 - RAW MATERIALS:
HOUSING: HTN, UL94V-0. COLOR: BLACK
CONTACTS: PHOSPHOR-BRONZE
 - CONTACT PLATING: 30µ" (0.76µm) MIN. GXT PLATING OVER 50µ" (1.27µm) NICKLE UNDERPLATE IN CONTACT AREA. 20µ" (0.5µm) MIN. 60µ" (1.5µm) MAX. TIN-LEAD PLATING OVER 50µ" (1.27µm) MIN. NICKLE UNDERPLATE IN P.C. BOARD LEG AREA. 50µ" (1.27µm) MIN. NICKLE UNDERPLATE OVER REMAINING AREA.
 - DIMENSIONS DO NOT APPLY TO CONNECTOR STYLES WITHOUT POLARIZATION PEG. (SEE CHART)
 - CONTACT PLATING: 30µ" (0.76µm) MIN GOLD PLATING OVER 50µ" (1.27µm) NICKLE UNDERPLATE IN CONTACT AREA. 20µ" (0.5µm) MIN-60µ" (1.5µm) MAX TIN-LEAD PLATING OVER 50µ" (1.27µm) MIN. NICKLE UNDERPLATE IN P.C. BOARD LEG AREA. 50µ" (1.27µm) MIN. NICKLE UNDERPLATE OVER REMAINING AREA.
 - CONTACT PLATING: 30µ" (0.76µm) GOLD PLATING OVER 50µ" (1.27µm) NICKLE UNDERPLATE IN CONTACT AREA. 20µ" (0.5µm) - 60µ" (1.5µm) TIN PLATING OVER 50µ" (1.27µm) - 100µ" (2.54µm) NICKEL UNDERPLATE IN P.C. BOARD LEG AREA. 50µ" (1.27µm) NICKEL UNDERPLATE OVER REMAINING AREA.
 - CONTACT PLATING: 30µ" (0.76µm) GXT PLATING OVER 50µ" (1.27µm) NICKLE UNDERPLATE IN CONTACT AREA. 20µ" (0.5µm) - 60µ" (1.5µm) TIN PLATING OVER 50µ" (1.27µm) - 100µ" (2.54µm) NICKEL UNDERPLATE IN P.C. BOARD LEG AREA. 50µ" (1.27µm) NICKEL UNDERPLATE OVER REMAINING AREA.
 - THE HOUSING WILL WITHSTAND EXPOSURE TO 260 °C PEAK TEMPERATURE FOR 10 SECONDS IN A CONVECTION, INFRA RED VAPOR PHASE REFLOW OVEN.
 - THIS PRODUCT MEETS EUROPEAN UNION DIRECTIVES AND OTHER COUNTRY REGULATIONS AS DESCRIBED IN GS-22-008.

RECOMMENDED PC BOARD MOUNTING DIMENSIONS COMPONENT SIDE

CONFIDENTIAL

mat'l. code		tolerances unless otherwise specified		CUSTOMER COPY	
ltr	ecn no	dr	date	linear	projection
E				.XX ±.13	⊕
				.XXX ±.051	
				0° ±2'	
				dr P. PARSONS 3/5/96	MM
				engrt J. DAVID 3/5/96	
				chr GL LOO 1/04/05	scale
				appd JOEY NG 1/04/05	2:1
sheet	revision				
index	sheet				

CUSTOMER COPY		title		product family		code	
www.fciconnect.com		SCA-2 & FIBER CHANNEL		SCA-2		-	
		40 POS. RECEPT. ASSY		size (dwg no)		sheet	
		A		87567		3 of 3	
cage code		22526					



Tous droits strictement reserves. Reproduction ou communication a des tiers interdite sous quelque forme que ce soit sans autorisation écrite du propriétaire. Property of FCI. Copyright FCI. Form whatever is not permitted without written authority on issue to third parties in any reproduction. Reproduction is not permitted without written authority on issue to third parties in any form whatever is not permitted without written authority on issue to third parties in any reproduction. Reproduction is not permitted without written authority on issue to third parties in any form whatever is not permitted without written authority on issue to third parties in any reproduction.