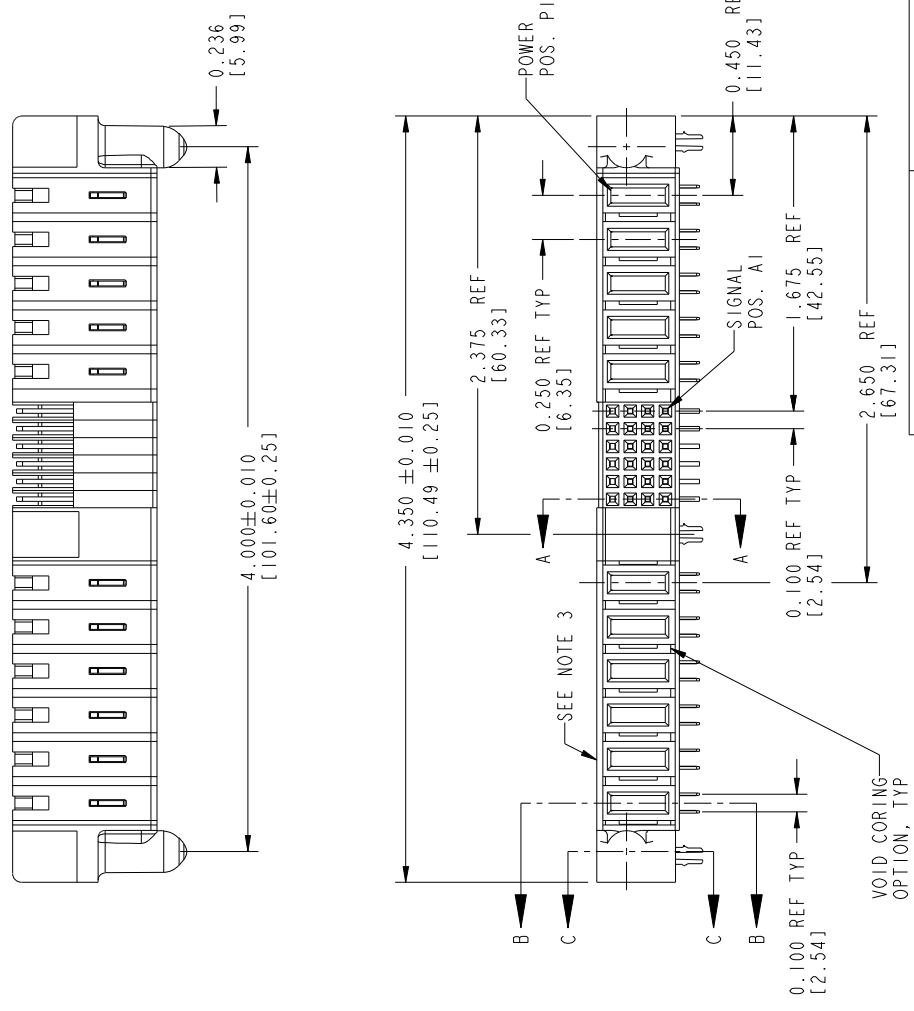


4

3

1 | 2

PRODUCT NUMBER
SEE SHEET 3



A

B

4

3

1 | 2

Pro/E

cage code 22526

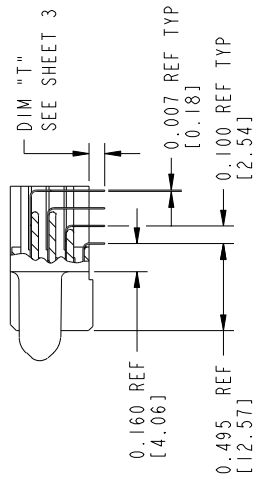
mat'l code		NOTE 1		tolerances unless otherwise specified		CUSTOMER		FCI	
ltr	ecn no.	dr	date						
N	D605-0242	SJ	07/25/05	linear	.XX±.01/.XX±.13	projection	www.fciconnect.com	title 5P + 24S + 1M + 6P	
P	D605-0313	SJ	09/05/05	angles	.XXX±.0020/.XXX±.051	INCH/MM		R/A SOLDER RECEPT.	
R	D605-0338	SW	09/19/05		0° ± 2°	scale		product family PwrB code	
S	D605-0550	GvoJM	12/16/05	dr	D. WOLFORD 01/21/99	1:1		size 2 13	
T	D608-0239	JC	09/12/08	enrg	J. BROWN 01/21/99			sheet 1 of 4	
				chr	J. BROWN 01/21/99			A 51625	
				appd	J. BROWN 01/21/99			dwg no	
sheet index	revision sheet							A 51625	
		1	2	3	4			sheet 1 of 4	
								cage code 22526	

Tous droits strictement reserves. Reproduction ou communication a des tiers interdite sans queque forme que ce soit sans autorisation ecrite du proprietaire. Propriete de c FCI. Droits de reproduction FCI.

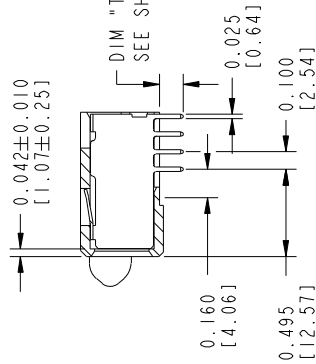


All rights strictly reserved. Reproduction or issue to third parties in any form whatever is not permitted without written authority from the proprietor. Property of FCI. Copyright FCI.

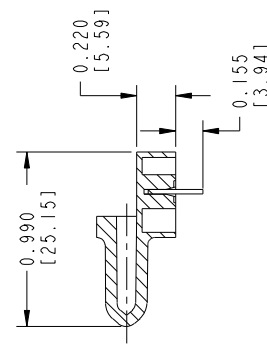
PRODUCT NUMBER
SEE SHEET 3



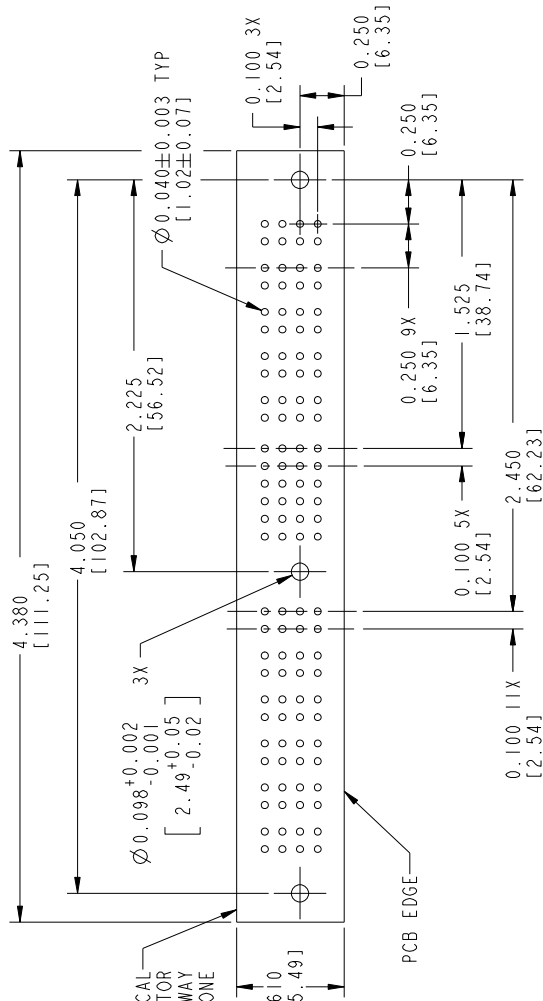
SECTION A-A



SECTION B-B



SECTION C-C



RECOMMENDED PCB LAYOUT

mat'l code		NOTE 1		tolerances unless otherwise specified		CUSTOMER		FCI	
lir	ecm no.	dr	date	linear	angles	dr	enrg	chr	appd
T				.XX±.01/.XX±.13	0° ± 2°	D. WOLFORD	J. BROWN	J. BROWN	J. BROWN
				.XXX±.005/.XX±.13		01/21/99	01/21/99	01/21/99	01/21/99
				.XXX±.020/.XX±.051					
sheet index	revision	sheet	sheet						

CUSTOMER		FCI	
title	www.fciconnect.com	product family	PwrBl code
5P + 24S + 1M + 6P R/A SOLDER RECEPT.			
size	213	dwg no	51625
sheet	2		

Pro/E

cage code 22526

4

112

3

4

Tous droits strictement reserves. Reproduction ou communication a des tiers interdite sans quelque forme que ce soit sans autorisation ecrite du proprietaire. Propriete de c FCI. Droits de reproduction FCI.



All rights strictly reserved. Reproduction or issue to third parties in any form whatever is not permitted without written authority from the proprietor. Property of FCI. Copyright FCI.

PRODUCT NUMBER
SEE TABLE

1 | 2

3

4

Tous droits strictement réservés. Reproduction ou communication à des tiers interdite
 sans quelque forme que ce soit sans autorisation écrite du propriétaire.
 Property of FCI. Copyright FCI.

CODE	DIM "T" +0.005 [0.12] -0.010 [0.25]	DIM "T" ±0.010 [0.25]	CONTACT TYPE
E	-	0.135 [3.43]	SIGNAL
F	-	0.135 [3.43]	SIGNAL
G	-	0.135 [3.43]	SIGNAL
H	-	0.135 [3.43]	SIGNAL
J	0.090 [2.29]	-	SIGNAL
K	0.090 [2.29]	-	SIGNAL
L	0.090 [2.29]	-	SIGNAL
M	0.090 [2.29]	-	SIGNAL
PA	-	0.135 [3.43]	POWER
PB	0.090 [2.29]	-	POWER
HA	N/A	[N/A]	HOLD-DOWN

PRODUCT No.	ROWS	POWER								SIGNAL						
		E2	P11	P10	P9	P8	P7	P6	M1	6	5	4	3	2	1	E1
51625-xx001- NOTE: 2	D									M	M	M	M	M	M	
	C									L	L	L	L	L	L	
	B									K	K	K	K	K	K	
	A									J	J	J	J	J	J	

PRODUCT No.	ROWS	POWER								SIGNAL						
		E2	P11	P10	P9	P8	P7	P6	M1	6	5	4	3	2	1	E1
51625-xx002- NOTE: 2	D									H	H	H	H	H	H	
	C									G	G	G	G	G	G	
	B									F	F	F	F	F	F	
	A									E	E	E	E	E	E	

mat'l code		NOTE 1		tolerances unless otherwise specified		CUSTOMER	
lir	ecr no.	dr	date	linear	projection	copy	title
T				.XX±.01 / X±.3	.XXX±.005 / .XX±.13	FCI	5P + 24S + 1M + 6P R/A SOLDER RECEPT.
				.XXX±.0020 / .XX±.051	0° ± 2°		product family
				D. WOLFORD	01/21/99		dwg no
				J. BROWN	01/21/99		51625
				J. BROWN	01/21/99		size
				J. BROWN	01/21/99		A
sheet index		revision sheet					code
							213
							sheet
							3
							3
							cage code
							22526
							4

1 | 2

3

4

Pro/E

3

4



All rights strictly reserved. Reproduction or issue to third parties in any
 form whatever is not permitted without written authority from the proprietor.
 Property of FCI. Copyright FCI.

1 | 2

3 |

4

PRODUCT NUMBER
SEE SHEET 3

CONNECTOR NOTES:

- 1. HOUSING MATERIAL: UL 94 V-0 GLASS FILLED HIGH TEMP THERMOPLASTIC
POWER CONTACT MATERIAL: COPPER ALLOY
SIGNAL CONTACT MATERIAL: COPPER ALLOY

- 2. PLATING: (51625-XX00X STAND OFF, 51625-XX001 AND 51625-XX002)
SEE ITEM 5 & 6 IN PRINT 10064183 FOR PLATING SPEC OF 51625-XX00X
AND 51625-XX00XLF RESPECTIVELY

- 3. MANUFACTURER'S NAME, P/N, AND DATE CODE TO APPEAR ON THIS SURFACE
- 4. PRODUCT SPECIFICATION GS-12-149

PCB NOTES:

- 5. ALL DIMENSIONS ARE BASIC UNLESS OTHERWISE SPECIFIED.
- 6. ALL THROUGH HOLES ARE LOCATED WITH A TRUE POSITION OF 0.004 [0.10]
- 7. ALL HOLE DIAMETERS ARE FINISHED HOLE SIZE
- 8. $\varnothing 0.098 [2.49]$ THROUGH HOLES ARE UNPLATED.
- 9. $\varnothing 0.0453 \pm 0.0010 [1.151 \pm 0.025]$ DRILLED HOLES PLATED WITH 0.0003 [0.008] MIN SnPb OVER 0.001 [0.03] TO 0.003 [0.08] Cu PLATING TO ACHIEVE A $\varnothing 0.040 \pm 0.003 [1.02 \pm 0.07]$ HOLE.

- 10. A Δ SYMBOL WILL BE NEXT TO ANY DIMENSION, VIEW, OR NOTE WHICH HAS BEEN MODIFIED WITH THE CURRENT DRAWING REVISION.

Tous droits strictement réservés. Reproduction ou communication à des tiers interdite sans quelque forme que ce soit sans autorisation écrite du propriétaire.
 Property of FCI. Copyright FCI. Reproduction or issue to third parties in any form whatever is not permitted without written authority from the proprietor.



CONFIDENTIAL

mat'l code		NOTE		tolerances unless otherwise specified		CUSTOMER		FCI	
lfr	ecrn no.	dr	date	linear	angles	dr	enrg	chr	appd
T				.XX±.01/.X±.3	.XXX±.005/.XX±.13	.XXX±.020/.XX±.051	0° ± 2°	D. WOLFORD	01/21/99
								J. BROWN	01/21/99
								J. BROWN	01/21/99
sheet index	revision	sheet							

1 | 2

3 |

4

Pro/E

cage code 22526

4