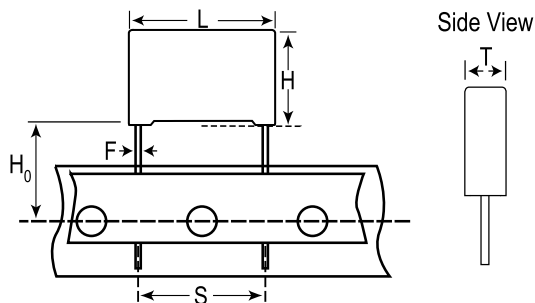


**KEMET Part Number: R75QI2470DQ00K**  
(75QI2470DQ00K)

Capacitor, Film, Metallized Polypropylene, 0.047 uF, +/-10% Tol, -55/+105C, General Purpose, 1000 VDC@85C, Lead Spacing=15 mm



General Information	
Supplier:	KEMET
Dielectric:	Metallized Polypropylene
Application:	General Purpose
Sub Application:	AEC-Q200
Style:	Radial Box
Lead Form:	Wire Leads
Features:	Pulse
Approvals:	AEC-Q200
RoHS:	Yes

Dimensions (mm)		
Symbol	Dimension	Tolerance
L	18	+0.5
H	13.5	+0.1
T	7.5	+0.2
S	15	+/-0.4
F	0.8	+/-0.05
H0	18.5	+/-0.5

Specifications	
Capacitance:	0.047 uF
Voltage:	1000 VDC
Tolerance:	+/-10%
Voltage AC:	250 VAC
Rated Temperature:	85C
Temperature Range:	-55/+105C
Dissipation Factor @ 1 kHz:	0.04%
Dissipation Factor @ 10 kHz:	0.06%
Dissipation Factor @ 100kHz:	0.25%
Insulation Resistance:	100 GOhm
Inductance:	10
Maximum dVdT:	2000 v/us
Miscellaneous:	Above 85C DC And AC Voltage Derating Is 1.25%/C

Packaging Specifications	
Package Kind:	Ammo
Package Size:	360x340x59mm
Package Quantity:	500