



DESIGNED & DIMENSIONED  
IN MILLIMETERS [INCHES]

DO NOT  
SCALE FROM  
THIS PRINT

TABLE 1		
ITEM	COMPONENT	-H
1	FERRULE	SMA-FER-001-F
2	PIN	SMA-PIN-001-H
3	SUB ASSEMBLY	SUB-SMA-P-C-F-ST-CA1

**SMA-P-C-X-ST-CA1**

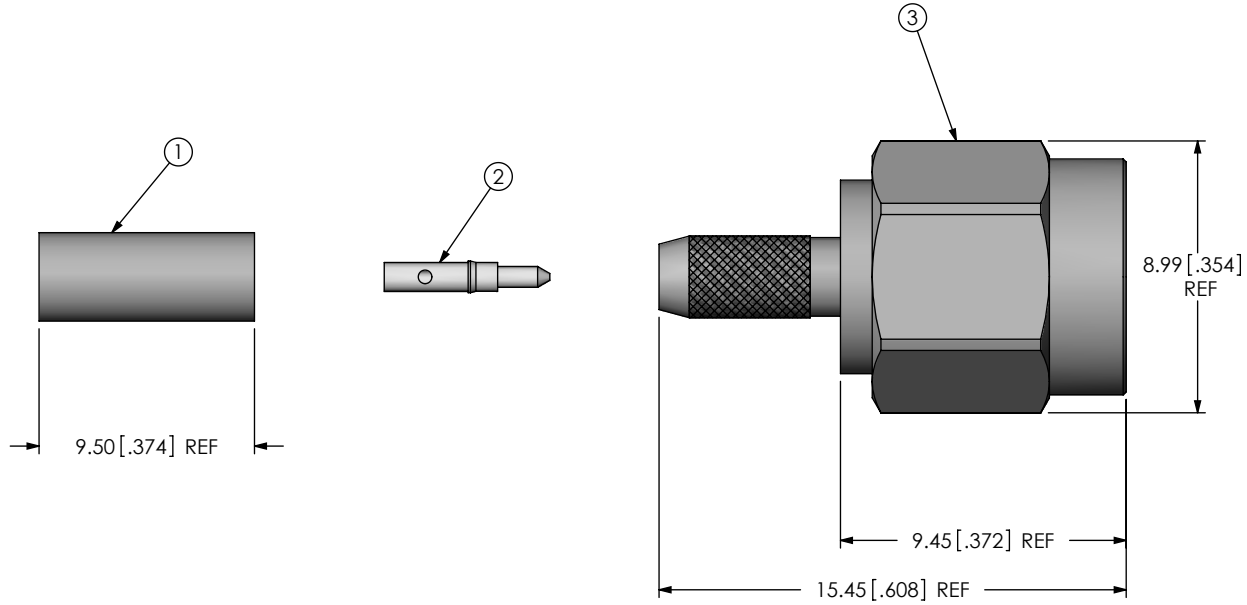
GENDER  
-P: PLUG

TYPE  
-C: CABLE

TERMINATION  
-CA1: CABLE  
(RG174 OR RG316)

ORIENTATION  
-ST: STRAIGHT

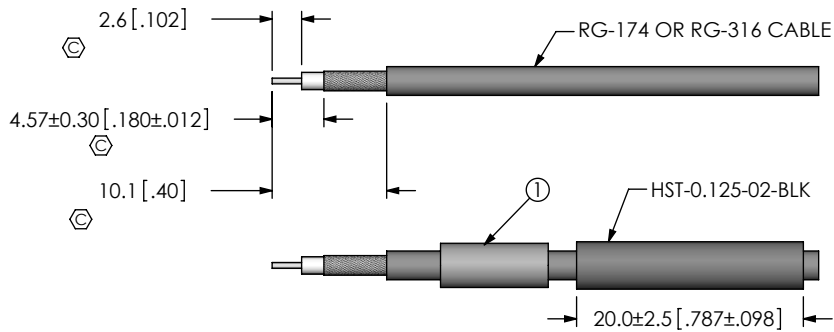
PLATING SPECIFICATION  
-H: HEAVY GOLD  
30µ" Au / 50µ" Ni MIN ON PIN  
3µ" Au / 50µ" Ni MIN ON OUTER CONTACT  
(SEE TABLE 1)



- NOTES:
- ① REPRESENTS A CRITICAL DIMENSION.
  - CENTER CONTACT PUSHOUT FORCE: 13.35 N [3 LB] MIN.
  - NOTE DELETED.
  - NOTE DELETED.
  - PRODUCT TO BE PACKAGED PER PACKAGING STANDARD CO-RF-WI-3040-M.
  - NOTE DELETED.
  - NOTE DELETED.
  - NOTE DELETED.

F:\DWG\MISC\MKTG\SMA-P-C-X-ST-CA1-MKT.SLDDRW

UNLESS OTHERWISE SPECIFIED, DIMENSIONS ARE IN MILLIMETERS [INCHES]. TOLERANCES ARE: DECIMALS      ANGLES .X: ±0.3 [.01]      5° .XX: ±0.13 [.005] .XXX: ±0.051 [.0020]	<b>PROPRIETARY NOTE</b> THIS DOCUMENT CONTAINS INFORMATION CONFIDENTIAL AND PROPRIETARY TO SAMTEC, INC. AND SHALL NOT BE REPRODUCED OR TRANSFERRED TO OTHER DOCUMENTS OR DISCLOSED TO OTHERS OR USED FOR ANY PURPOSE OTHER THAN THAT WHICH IT WAS OBTAINED WITHOUT THE EXPRESSED WRITTEN CONSENT OF SAMTEC, INC.	<p>520 PARK EAST BLVD, NEW ALBANY, IN 47150                  PHONE: 812-944-6733    FAX: 812-948-5047                  e-Mail: info@SAMTEC.com    code: 55322</p>
BY: R MUSSER 01/22/2008		SHEET 1 OF 2

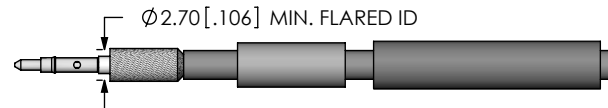


**IN-PROCESS 1**  
STRIP AND TIN INNER CONDUCTOR

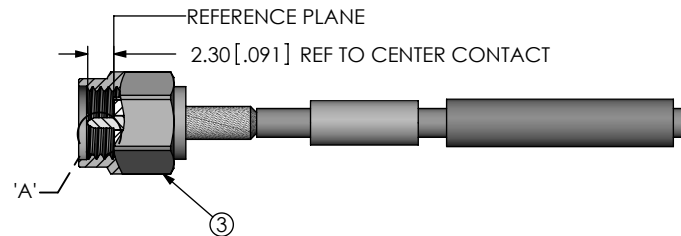
**IN-PROCESS 2**  
ADD HEAT SHRINK TUBE AND FERRULE



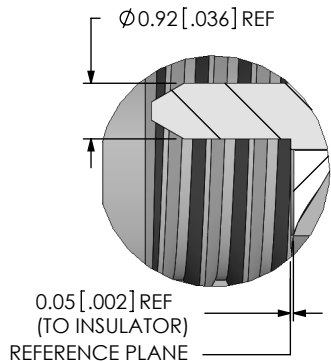
**IN-PROCESS 3**  
SOLDER SIGNAL PIN



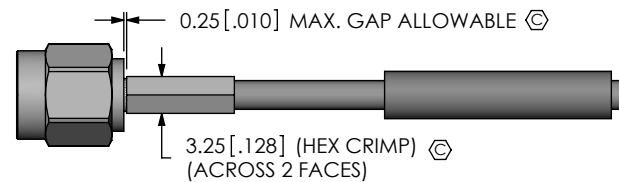
**IN-PROCESS 4**  
FLARE SHIELD



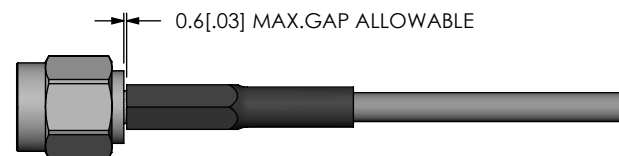
**IN-PROCESS 5**  
ADD SUB-SMA-P-C-X-ST-CA1



**DETAIL 'A'**  
SCALE 8 : 1



**IN-PROCESS 6**  
CRIMP FERRULE  
(USE RF CRIMP HAND TOOL # CAT-HT-126667-21 OR EQUIVALENT)  
(USE .128 [ HEX DIE])



**IN-PROCESS 7**  
APPLY HEAT SHRINK TUBING

F:\DWG\MISC\MKTG\SMA-P-C-X-ST-CA1-MKT.SLDDRW

**PROPRIETARY NOTE**

THIS DOCUMENT CONTAINS INFORMATION CONFIDENTIAL AND PROPRIETARY TO SAMTEC, INC. AND SHALL NOT BE REPRODUCED OR TRANSFERRED TO OTHER DOCUMENTS OR DISCLOSED TO OTHERS OR USED FOR ANY PURPOSE OTHER THAN THAT WHICH IT WAS OBTAINED WITHOUT THE EXPRESSED WRITTEN CONSENT OF SAMTEC, INC.

DO NOT SCALE DRAWING

SHEET SCALE: 1.5:1



520 PARK EAST BLVD, NEW ALBANY, IN 47150  
PHONE: 812-944-6733 FAX: 812-948-5047  
e-Mail: info@SAMTEC.com code: 55322

DESCRIPTION:  
SMA STRAIGHT CABLE PLUG, RG174 & RG316- 50 OHM

DWG. NO.  
**SMA-P-C-X-ST-CA1**

BY: R MUSSER 01/22/2008 SHEET 2 OF 2