



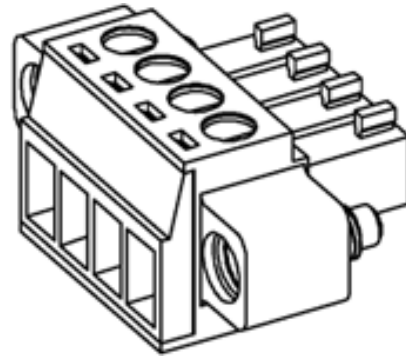
**Part Number :** [395040607](#)

**Product Description :** 3.50mm Pitch Eurostyle Horizontal Plug, with Retention Screws and Standard Imprinting, Gold (Au) Plated, 7 Circuits

**Series Number :** 39504

**Status :** Active

**Product Category :** Terminal Blocks and Barrier Strip



---

## Documents & Resources

### Drawings

[Drawing 395040607\\_sd.pdf](#)

### 3D Models and Design Files

[3D Model 395040607\\_stp.zip](#)

### Specifications

[Product Specification PS-39500-001-001.pdf](#)

---

## Product Environment Compliance

### Compliance

GADSL/IMDS	Not Relevant
China RoHS	
EU ELV	Not Relevant
Low-Halogen Status	Low-Halogen per IEC 61249-2-21
REACH SVHC	Not Contained per D(2022)9120-DC (17 Jan 2023)
EU RoHS	Compliant per EU 2015/863

### [Multiple Part Product Compliance Statements](#)

- Eu RoHS
- REACH SVHC
- Low-Halogen

### [Multiple Part Industry Compliance Documents](#)

- IPC 1752A Class C
- IPC 1752A Class D

- Molex Product Compliance Declaration
- IEC-62474
- chemSHERPA (xml)

EU RoHS Certificate of Compliance

---

## Part Details

### General

Status	Active
Category	Terminal Blocks and Barrier Strip
Series	39504
Description	3.50mm Pitch Eurostyle Horizontal Plug, with Retention Screws and Standard Imprinting, Gold (Au) Plated, 7 Circuits
Application	N/A
Comments	with Standard Imprinting
Component Type	Plug
Product Family	Eurostyle Terminal Blocks
Product Name	ESE,Eurostyle Pluggable
Type	Euro Block
UPC	822350442046

### Agency

UL	E48521
----	--------

### Electrical

Current - Maximum per Contact	8.0A
Voltage - Maximum	300V

### Physical

Circuits (Loaded)	7
Entry Angle	Vertical
Lock to Mating Part	Yes
Number of Rows	1
Orientation	Horizontal
Panel Mount	No

Pitch - Mating Interface	3.50mm
Pitch - Termination Interface	3.50mm
Polarized to Mating Part	Yes
Stackable	No
Temperature Range - Operating	-40° to +105°C
Wire Size (AWG)	16, 18, 20, 22, 24, 26, 28, 30
Wire Size mm <sup>2</sup>	0.05-1.31

---

## Mates With / Use With

### Mates with Part(s)

Description	Part Number
3.50mm Pitch Eurostyle Vertical PCB Headers	<u>39505</u>
3.50mm Pitch Eurostyle Horizontal PCB Headers	<u>39506</u>
Mates With	Most 3.50mm Pitch Industry Standard PCB Headers

---

This document was generated on Dec 11, 2023