

**120**mm sq.

# San Ace 120W



## General Specifications

- Material ..... Frame: Aluminum, Impeller: Plastics (Flammability: UL94V-1)
- Expected Life ..... Refer to specifications (Indoor, L10:Survival rate: 90% at 60°C, rated voltage, and continuously run in a free air state)
- Lead Wire ..... ⊕red ⊖black or blue (Sensor) yellow
- Storage Temperature ..... -30°C to +70°C (Non-condensing)

**120×120×38mm** [Mass : 410g] **IP 55** **9WG type**

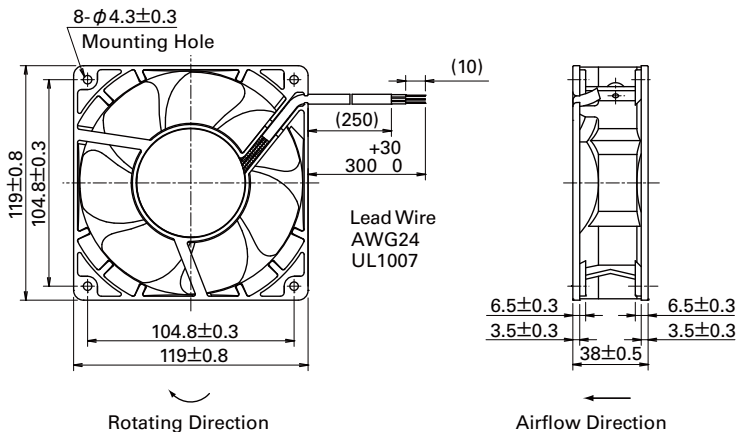
## Specifications

The following nos. have pulse sensors.

Model No.	Rated Voltage [V]	Operating Voltage Range [V]	Rated Current [A]	Rated Input [W]	Rated Speed [min <sup>-1</sup> ]	Max. Airflow [m <sup>3</sup> /min] [CFM]	Max. Static Pressure [Pa] [inchH <sub>2</sub> O]	SPL [dB(A)]	Operating Temperature [°C]	Expected Life [h]	
9WG1212G101-E	12	10.2 to 13.8	0.98	11.76	3,600	3.88 137	135 0.542	49	- 20 to + 70	80,000/60°C	
9WG1212E101-E			0.61	7.32	3,100	3.34 118	100 0.402	46		100,000/60°C	
9WG1212H101-E		7 to 13.8	0.38	4.56	2,600	2.80 99	70.4 0.283	39		80,000/60°C	
9WG1212F101-E			0.28	3.36	2,280	2.45 87	54.2 0.218	36		100,000/60°C	
9WG1212M101-E			0.21	2.52	1,950	2.10 74	39.6 0.159	32		100,000/60°C	
9WG1224G101-E	24	20.4 to 27.6	0.50	12	3,600	3.88 137	135 0.542	49		- 20 to + 70	80,000/60°C
9WG1224E101-E			0.34	8.16	3,100	3.34 118	100 0.402	46			100,000/60°C
9WG1224H101-E		14 to 27.6	0.22	5.28	2,600	2.80 99	70.4 0.283	39			80,000/60°C
9WG1224F101-E			0.16	3.84	2,280	2.45 87	54.2 0.218	36			100,000/60°C
9WG1224M101-E			0.11	2.64	1,950	2.10 74	39.6 0.159	32			100,000/60°C
9WG1248G101-E	48	40.8 to 55.2	0.25	12	3,600	3.88 137	135 0.542	49	- 20 to + 70		80,000/60°C
9WG1248E101-E			0.17	8.16	3,100	3.34 118	100 0.402	46			100,000/60°C
9WG1248H101-E			0.11	5.28	2,600	2.80 99	70.4 0.283	39			80,000/60°C
9WG1248F101-E			0.09	4.32	2,280	2.45 87	54.2 0.218	36			100,000/60°C
9WG1248M101-E			0.07	3.36	1,950	2.10 74	39.6 0.159	32			100,000/60°C

Models without sensors or with lock sensors are available as options. Please refer to the index (p. 481).

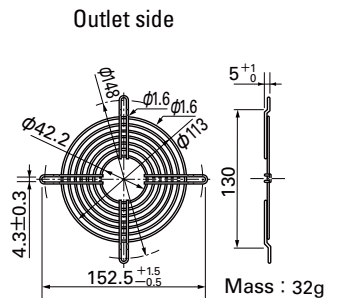
## Dimensions (unit: mm)



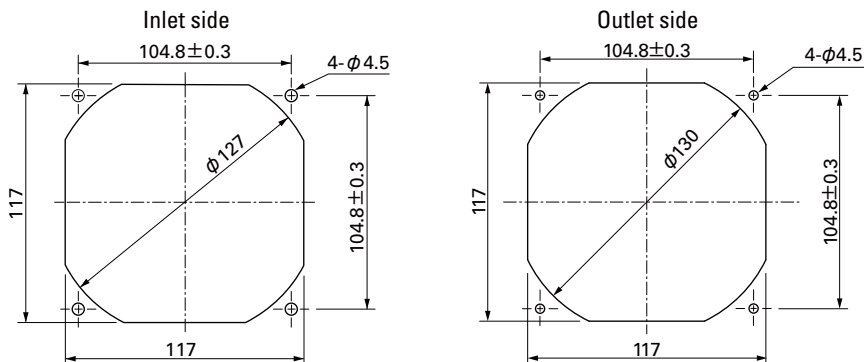
## Options (unit: mm)

### Finger Guards

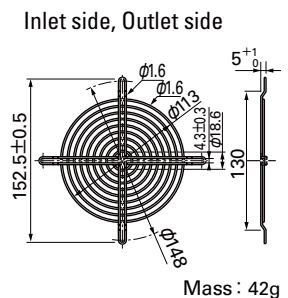
Model : 109-019C Surface treatment : Nickel-chrome plating (silver) Color : silver  
 : 109-019H : Cation electropainting (black)



## Reference Dimensions of Mounting Holes and Vent Opening (unit: mm)



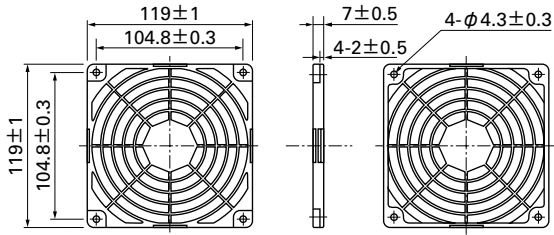
Model : 109-019E Surface treatment : Nickel-chrome plating (silver) Color : silver  
 : 109-019K : Cation electropainting (black)



Options (unit: mm)

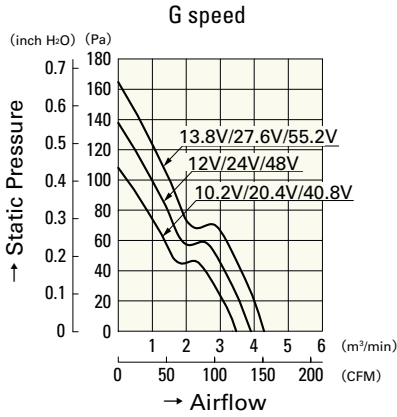
Resin Finger Guards

Model : 109-1000G

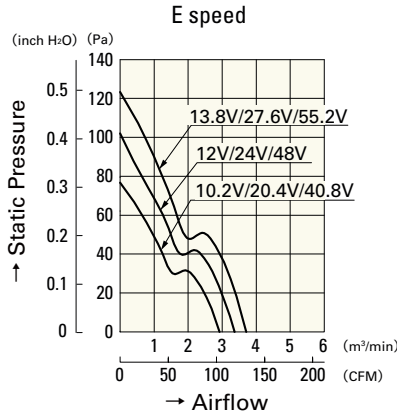


Mass : 23g

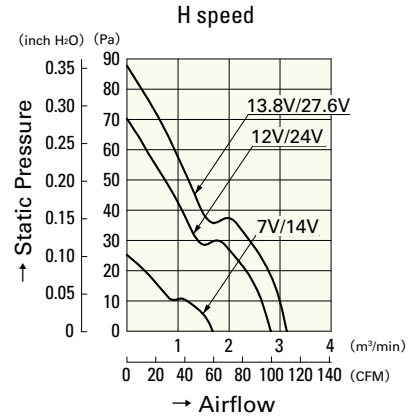
Airflow - Static Pressure Characteristics



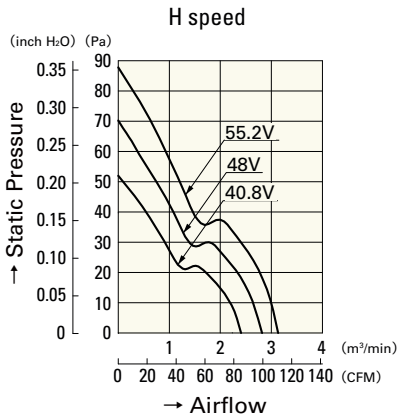
**9WG1212G101-E**  
**9WG1224G101-E**  
**9WG1248G101-E**



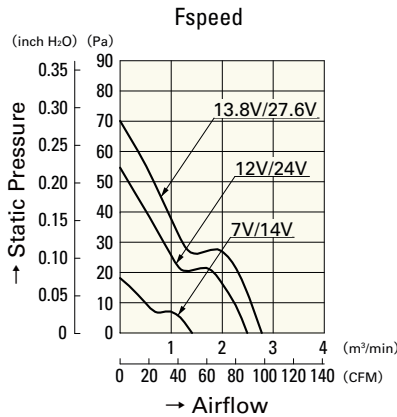
**9WG1212E101-E**  
**9WG1224E101-E**  
**9WG1248E101-E**



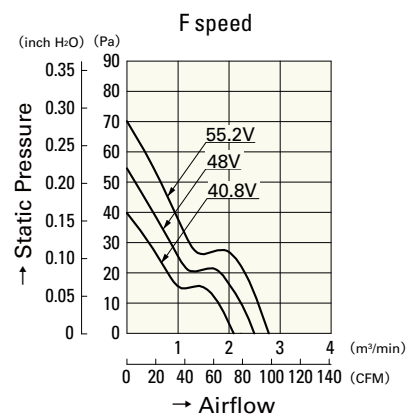
**9WG1212H101-E**  
**9WG1224H101-E**



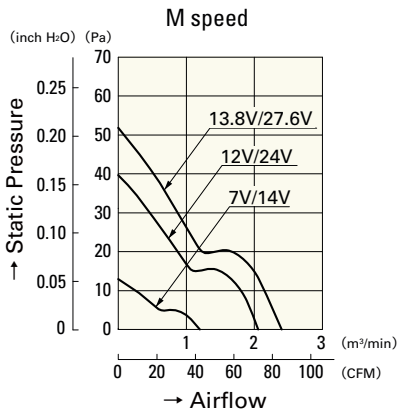
**9WG1248H101-E**



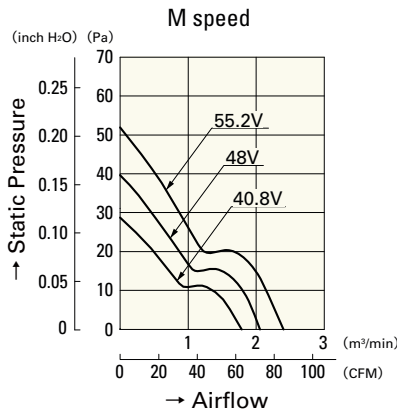
**9WG1212F101-E**  
**9WG1224F101-E**



**9WG1248F101-E**



**9WG1212M101-E**  
**9WG1224M101-E**



**9WG1248M101-E**