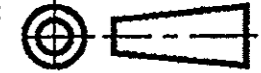


DO NOT SCALE  
DIMENSIONS IN mm

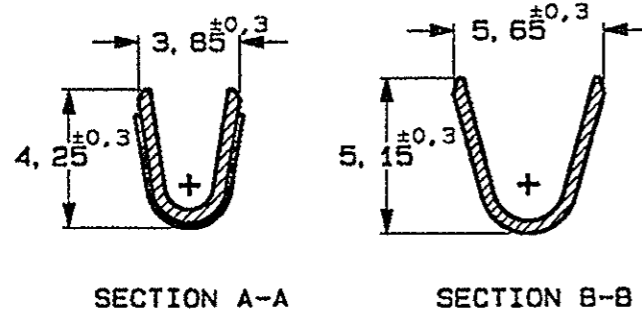
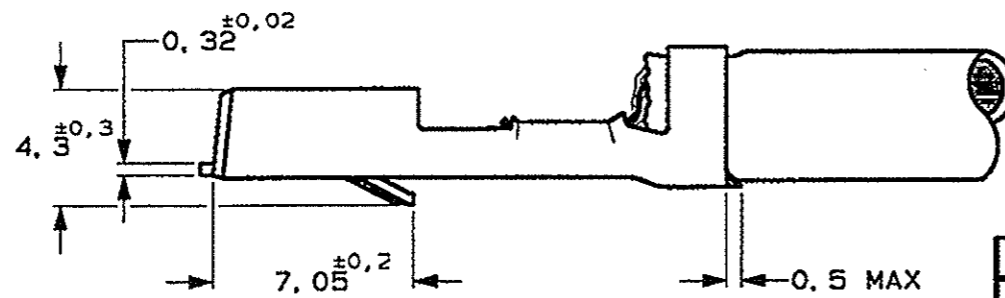
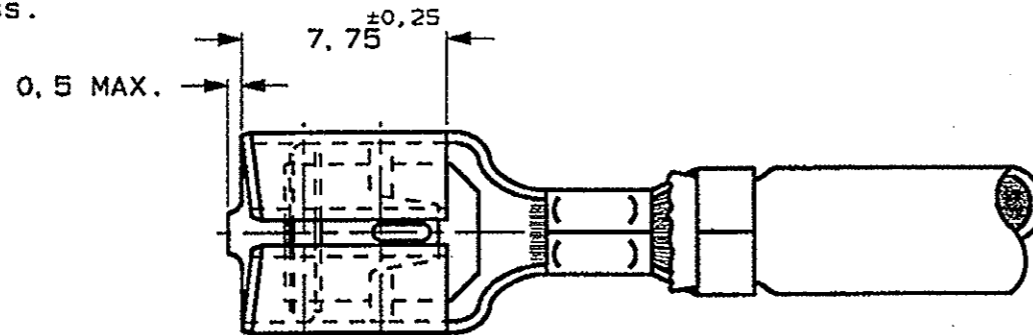
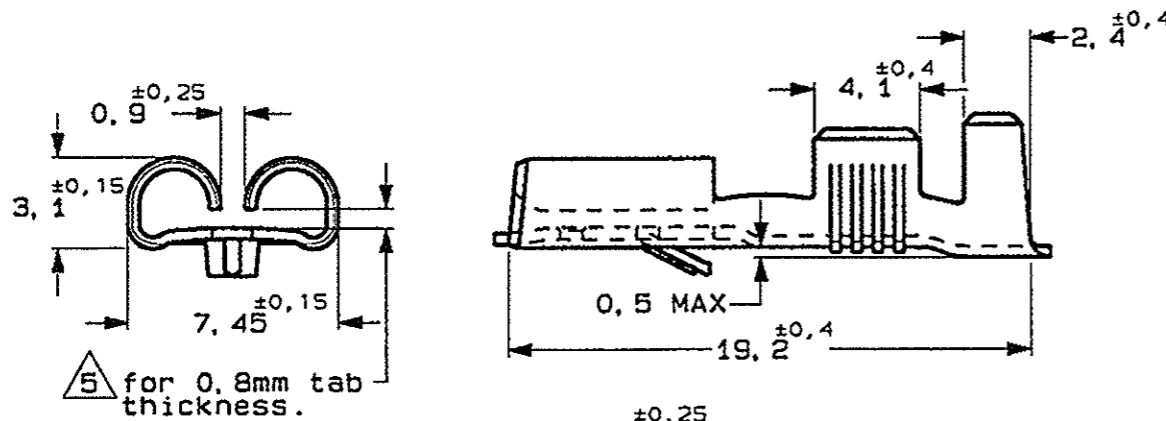
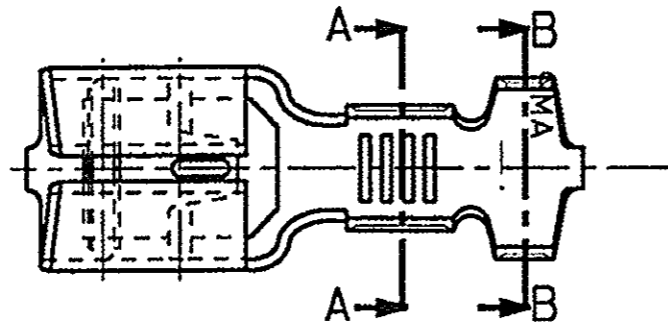
METRIC

THIRD ANGLE  
PROJECTION



NOTES

- 1 FOR USE ON MINIATURE APPLICATORS ( LEFT-RIGHT FEED ) AND STANDARD APPLICATORS ( RIGHT-LEFT FEED ).
- 2 FOR USE ON MINIATURE APPLICATORS (AMP-O-MATOR APPLICATION) . ( LEFT-RIGHT FEED ) .
- 3 BRASS ACC ASTM B36 ALLOY 260.
- 4 PH.BRONZE ACC ASTM B103.
- 5 GAGE 0,71 MUST NOT ENTER, GAGE 0.51 MUST ENTER.



WIRE RANGE :  
1,0-2,5 mm<sup>2</sup>  
INSULATION RANGE :  
3,4-5,1mm DIA.

DIRECTION OFF TOP OF REEL



PLATING	STRIPNUMBER	MATERIAL	PARTNUMBER
SILVER	6-160448-6	BRASS	6-160449-6
TIN	6-160448-5	BRASS	6-160449-5
SILVER	6-160448-3	PH.BRONZE	6-160449-3
TIN	6-160448-2/6--8	PH.BRONZE	6-160449-2
PLAIN	6-160448-1	PH.BRONZE	6-160449-1
PLAIN	6-160448-0/6--7	BRASS	6-160449-0

CUSTOMER DRAWING				FOR REFERENCE ONLY WILL NOT BE UPDATED	
© COPYRIGHT 1986 BY AMP HOLLAND B.V. ALL INTERNATIONAL RIGHTS RESERVED. AMP PRODUCTS MAY BE COVERED BY U.S. AND FOREIGN AND/OR PATENTS PENDING. THIS DRAWING IS UNPUBLISHED RELEASED FOR PUBLICATION					
A1 RESTRICTION REMOVED		HY	06-10-06		
A EH-0769-96		JVL	AB	24-05-95	
O EH-0065-95		DK	PB	19 JAN 95	
LTR. REVISION RECORD		DR.	CHK.	DATE	
DR.:	D. KESSLER	CHK.:	P. BETHON	APP.:	L.V. SOEST
DATE:	19 JAN 95	DATE:	-	DATE:	-
DWG. No. 160449			R	REV. LTR. A1	SHEET 1 OF 1

**AMP** | AMP HOLLAND B.V.  
's-Hertogenbosch,  
The Netherlands.

.250 SRS FASTIN-ON RECEPTACLE.