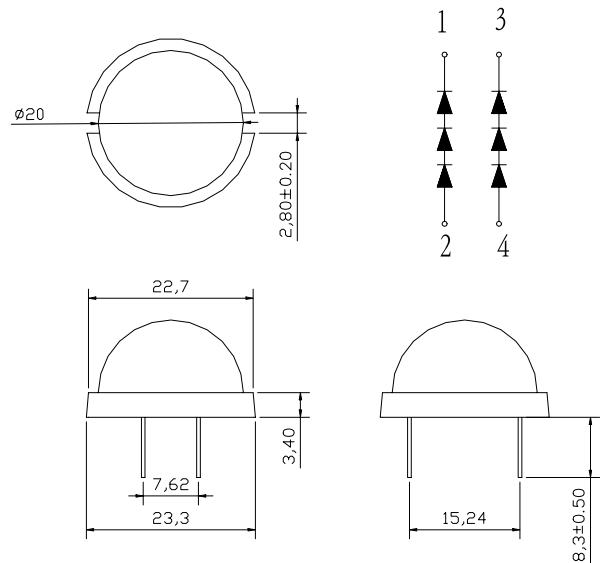


GNL-20003xx (Φ 20mm ROUND TYPE) Ultra Brightness

ABSOLUTE MAXIMUM RATING:(Ta=25°C)

| Parameter | | | Unit |
|--|-----|------|------|
| DC Forward Current | 30 | | mA |
| Reverse Voltage | 5 | | V |
| Reverse Current (Vr=5V) | 10 | | μA |
| Peak Forward Current ,tw ,=1 msec Duty ,=1/20 | 150 | | mA |
| Operation Temperature | -40 | +80 | °C |
| Storage Temperature | -40 | +100 | °C |
| Solder Dip (5 seconds,1.6mm from body) Temperature | 300 | ±5 | °C |



Feature:

- 1.Small flange without stand-off
- 2.Long life-solid state reliability
- 3.Versatile mounting on P.C. board or panel

Description:

- 1.The shape of this series is round
- 2.General application is for indication,illumination,etc.
- 3.These LED lamps are available with a choice of defferent colors,light intensities,epoxy colors,etc.

| Part Number | EMITTED COLOR | | Lens Color | Peak Wavelength (nm) | Vf (v) Typ. | IV (If=20mA) mcd | | View Angle 2 θ 1/2 |
|--------------|---------------|------------------|-----------------|----------------------|-------------|------------------|------|--------------------|
| | | | | | | Min. | Typ. | |
| GNL-20003SRD | GaAIAs | Super Red | Red Diffused | 660 | 1.9 | 75 | 150 | 60° |
| GNL-20003LRD | GaAIAs | Super Red | Red Diffused | 660 | 1.9 | 100 | 200 | 60° |
| GNL-20003UED | AlGaInP | Super Orange Red | Red Diffused | 625 | 2.0 | 200 | 400 | 60° |
| GNL-20003UGD | AlGaInP | Yellow Green | Green Diffused | 572 | 2.0 | 150 | 300 | 60° |
| GNL-20003UYD | AlGaInP | Super Yellow | Yellow Diffused | 588 | 2.0 | 200 | 400 | 60° |
| GNL-20003UBD | InGaN | Super Blue | White Diffused | 470 | 3.5 | 250 | 400 | 60° |
| GNL-20003PGD | InGaN | Super Pure Green | Green Diffused | 525 | 3.5 | 500 | 1000 | 60° |
| GNL-20003WW | InGaN | Super White | White Diffused | | 3.5 | 500 | 600 | 60° |
| GNL-20003UWW | InGaN | Super White | White Diffused | | 3.5 | 800 | 1000 | 60° |