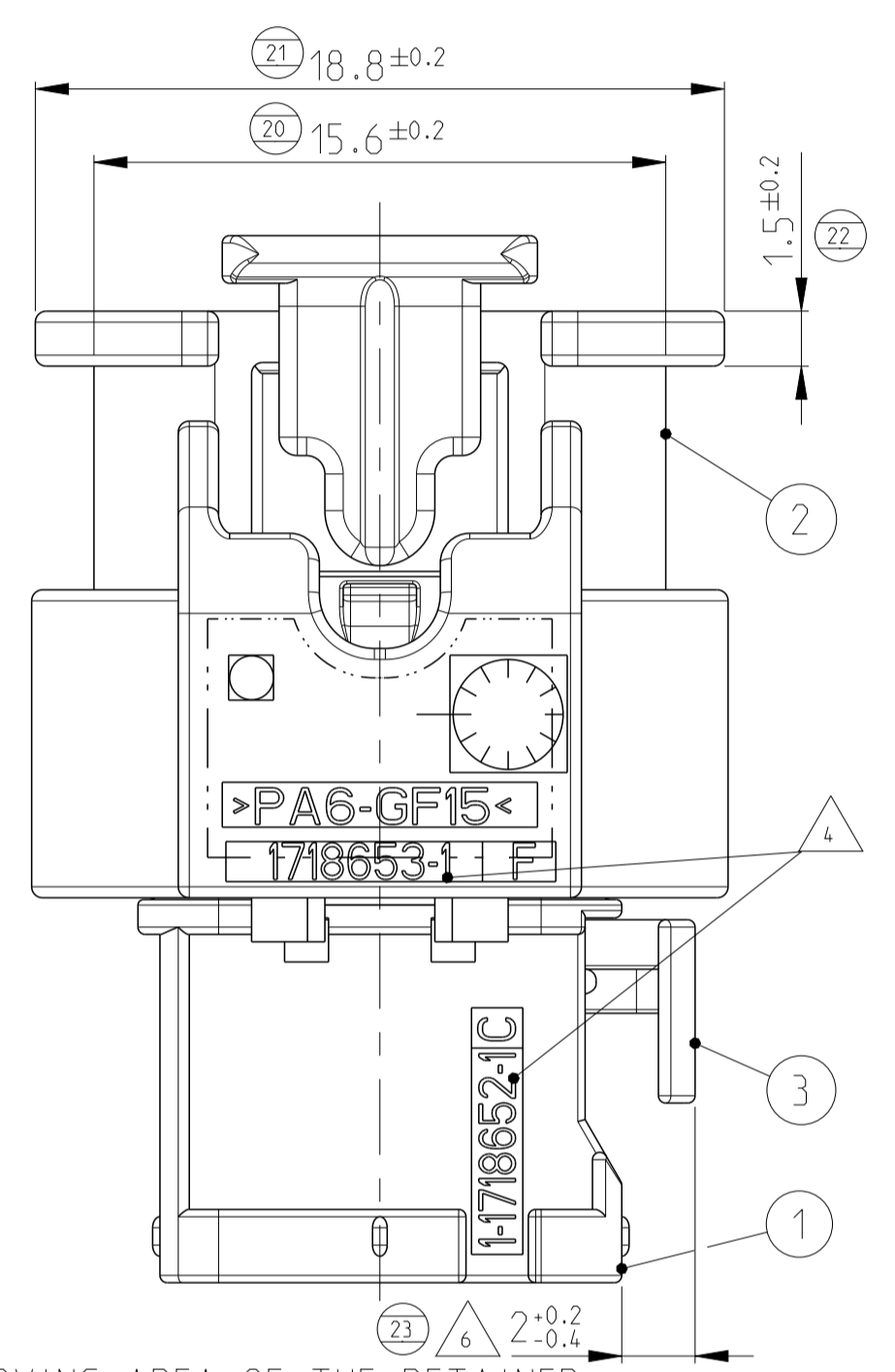
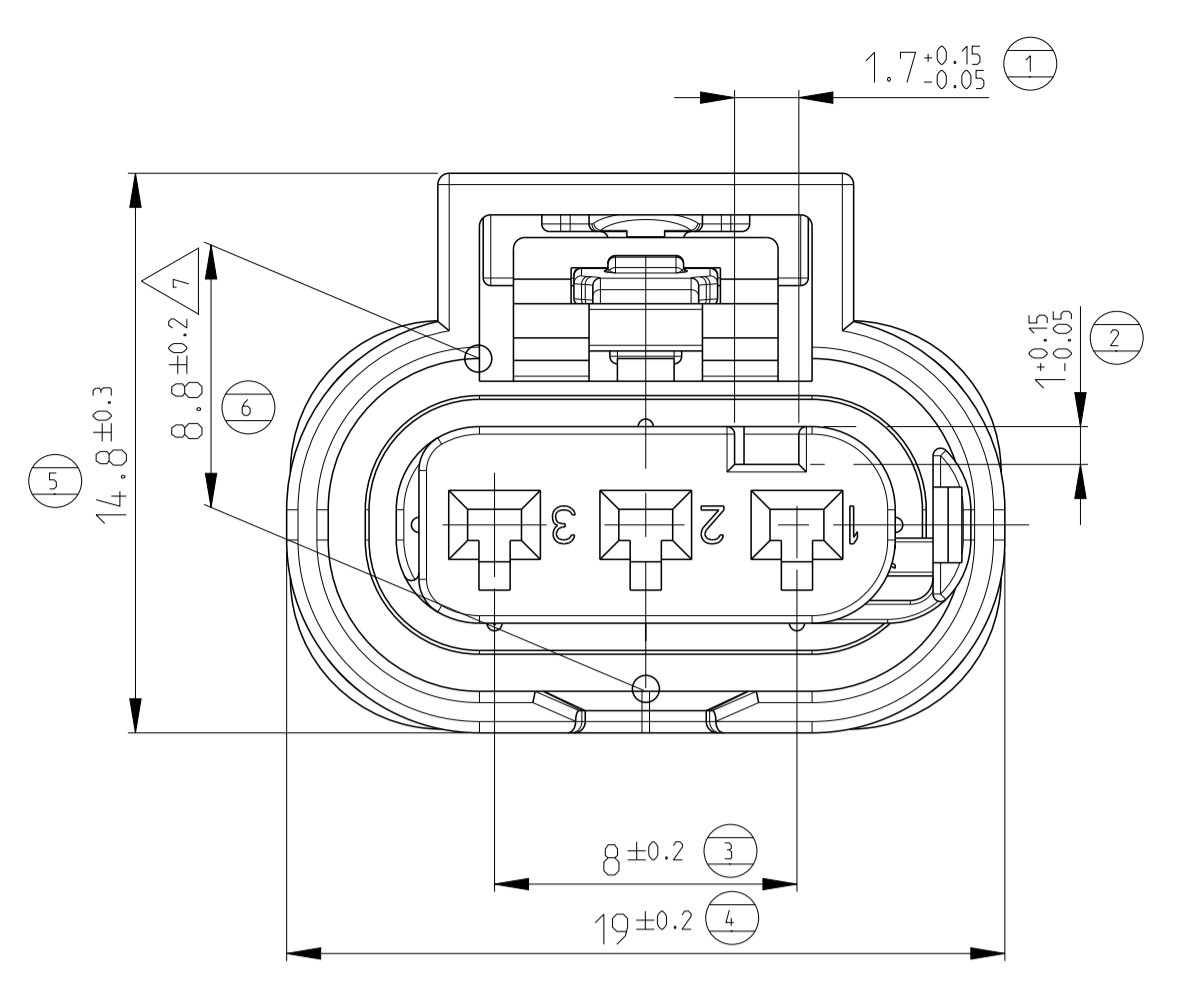
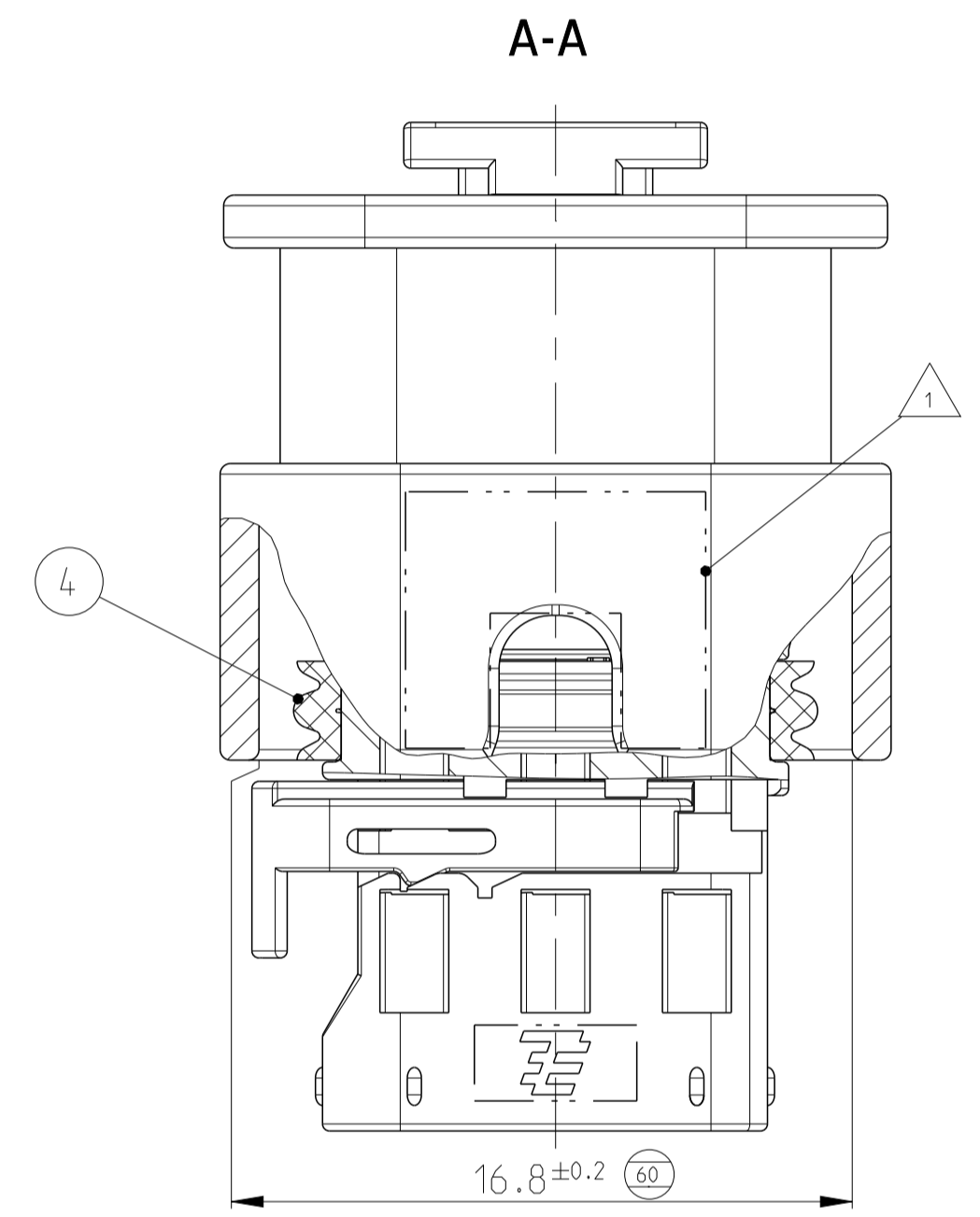
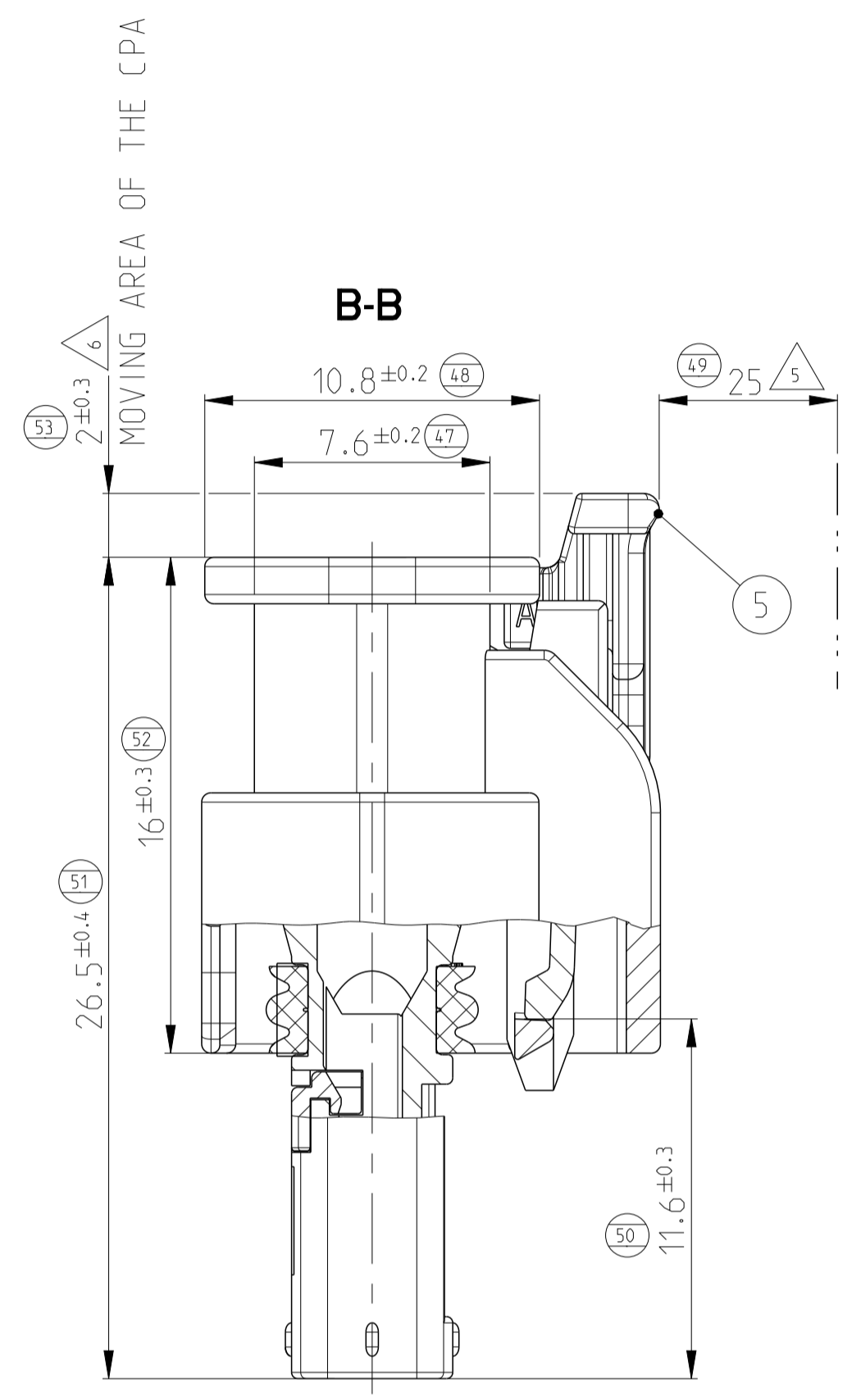


TE-ORDER NO.	COD	DESCRIPTION	REV	QTY	DESCRIPTION	MATERIAL	SURFACE/COLOUR	ITEM	VAR
1-1718644-6	A	3pos. MCON 1.2 - LL Connector Sealed	F	1	MCON 1.2 - CPA	PA46-GF15	GRAY SIML. RAL 7037	5	III
				1	3pos. MCON 1.2 - Seal	MVQ	NATURE	4	
				1	3pos. MCON 1.2 - Retainer	PA66-GF15	VIOLETT SIML. RAL 4006	3	
				1	3pos. MCON 1.2 - Protection Cover	PA6-GF15	BLACK SIML. RAL 9011	2	
				1	3pos. MCON 1.2 - Recepticle Hsg.	PA66-GF30	BLACK SIML. RAL 9011	1	
2-1718644-5	B	3pos. MCON 1.2 - LL Connector Sealed	A	1	MCON 1.2 - CPA	PA46-GF15	GRAY SIML. RAL 7037	5	II
				1	3pos. MCON 1.2 - Seal	MVQ	GREEN	4	
				1	3pos. MCON 1.2 - Retainer	PA66-GF15	VIOLETT SIML. RAL 4006	3	
				1	3pos. MCON 1.2 - Protection Cover	PA46	BLACK SIML. RAL 9011	2	
				1	3pos. MCON 1.2 - Recepticle Hsg.	PA66-GF30	NATURE	1	
1-1718644-5	A	3pos. MCON 1.2 - LL Connector Sealed	D	1	MCON 1.2 - CPA	PA46-GF15	GRAY SIML. RAL 7037	5	I
				1	3pos. MCON 1.2 - Seal	MVQ	GREEN	4	
				1	3pos. MCON 1.2 - Retainer	PA66-GF15	VIOLETT SIML. RAL 4006	3	
				1	3pos. MCON 1.2 - Protection Cover	PA46	BLACK SIML. RAL 9011	2	
				1	3pos. MCON 1.2 - Recepticle Hsg.	PA66-GF30	BLACK SIML. RAL 9011	1	
4-1718644-1	D	3pos. MCON 1.2 - LL Connector Sealed	A	1	MCON 1.2 - CPA	PA46-GF15	GRAYSIML. RAL 7037	5	I
				1	3pos. MCON 1.2 - Seal	MVQ	NATURE	4	
				1	3pos. MCON 1.2 - Retainer	PA66-GF15	VIOLETT SIML. RAL 4006	3	
				1	3pos. MCON 1.2 - Protection Cover	PA6-GF15	BLACK SIML. RAL 9011	2	
				1	3pos. MCON 1.2 - Recepticle Hsg.	PA66-GF30	VIOLETT SIML. RAL 4006	1	
3-1718644-1	C	3pos. MCON 1.2 - LL Connector Sealed	F	1	MCON 1.2 - CPA	PA46-GF15	GRAY SIML. RAL 7037	5	I
				1	3pos. MCON 1.2 - Seal	MVQ	NATURE	4	
				1	3pos. MCON 1.2 - Retainer	PA66-GF15	VIOLETT SIML. RAL 4006	3	
				1	3pos. MCON 1.2 - Protection Cover	PA6-GF15	BLACK SIML. RAL 9011	2	
				1	3pos. MCON 1.2 - Recepticle Hsg.	PA66-GF30	BLUE SIML. RAL 5012	1	
2-1718644-1	B	3pos. MCON 1.2 - LL Connector Sealed	F	1	MCON 1.2 - CPA	PA46-GF15	GRAY SIML. RAL 7037	5	I
				1	3pos. MCON 1.2 - Seal	MVQ	NATURE	4	
				1	3pos. MCON 1.2 - Retainer	PA66-GF15	VIOLETT SIML. RAL 4006	3	
				1	3pos. MCON 1.2 - Protection Cover	PA6-GF15	BLACK SIML. RAL 9011	2	
				1	3pos. MCON 1.2 - Recepticle Hsg.	PA66-GF30	NATURE	1	
1-1718644-1	A	3pos. MCON 1.2 - LL Connector Sealed	F	1	MCON 1.2 - CPA	PA46-GF15	GRAY SIML. RAL 7037	5	I
				1	3pos. MCON 1.2 - Seal	MVQ	NATURE	4	
				1	3pos. MCON 1.2 - Retainer	PA66-GF15	VIOLETT SIML. RAL 4006	3	
				1	3pos. MCON 1.2 - Protection Cover	PA6-GF15	BLACK SIML. RAL 9011	2	
				1	3pos. MCON 1.2 - Recepticle Hsg.	PA66-GF30	BLACK SIML. RAL 9011	1	

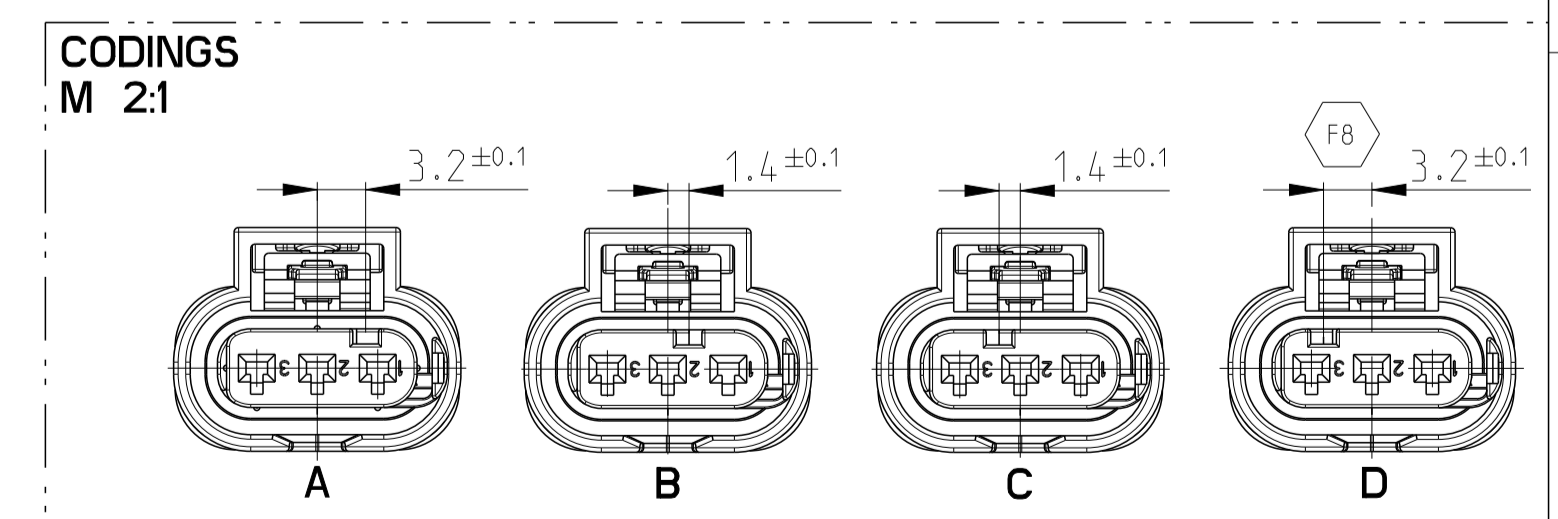


MOVING AREA OF THE RETAINER



- NOTES:
- 1 AREA FOR PRINT
 - 2 USABLE CONTACTS MCON 1.2 LL SEE TE-NO. 1452674
 - 3 MAX. WIRE SIZE RANGE 1.0 mm² FLR PERMITTED FOR CAVITY-Ø 3.5MM QUANTITY SEE WIRE HARNESS DRAWING FOR PERMISSIBLE CURRENT CARRYING CAPACITY OF THE SINGLE CONTACT SEE PRODUCT SPECIFICATION NO.108-18782
 - 4 SUPPLIER-MARK
 - 5 SPACE OF ACTIVITY
 - 6 SUPPLY CONDITION: CPA AND RETAINER IN PRELOCKED POSITION
 - 7 WARPAGE PERMITTED TO MAX. -0.5mm
 - 8 TE ORDER-NO.
 - 9 ACCORDING TO INTERFACE DRAWING SEE TE-NO. 114-18679-3
 - 10 VAR II: TEMPERATURE RESISTANCE OF PLASTIC PARTS 150 °C
 - 11 ASSEMBLY LINE SEGMENT IDENTIFICATION
 - 12 DATE CODE (DDYY)
 - 13 DIVERGENT MARKING FOR PARTS FROM CHINESE, BRASIL AND U.S. PRODUCTION
- CODING A AS SHOWN

LOC	DIST	REVISIONS			
		REV	DATE	BY	APPV
FM	-	F7	06NOV2018	SZN	LSZ
		F8	03MAY2019	SZN	LSZ
		F9	06AUG2019	SZN	LSZ
		F10	25MAR2020	SZN	LSZ



THIS DRAWING IS A CONTROLLED DOCUMENT. DIMENSIONS: mm. TOLERANCES UNLESS OTHERWISE SPECIFIED: 0 PLC ±0.1, 1 PLC ±0.1, 2 PLC ±0.1, 3 PLC ±0.1, 4 PLC ±0.1, 5 PLC ±0.1, 6 PLC ±0.1, 7 PLC ±0.1, 8 PLC ±0.1, 9 PLC ±0.1, 10 PLC ±0.1, 11 PLC ±0.1, 12 PLC ±0.1, 13 PLC ±0.1, 14 PLC ±0.1, 15 PLC ±0.1, 16 PLC ±0.1, 17 PLC ±0.1, 18 PLC ±0.1, 19 PLC ±0.1, 20 PLC ±0.1, 21 PLC ±0.1, 22 PLC ±0.1, 23 PLC ±0.1, 24 PLC ±0.1, 25 PLC ±0.1, 26 PLC ±0.1, 27 PLC ±0.1, 28 PLC ±0.1, 29 PLC ±0.1, 30 PLC ±0.1, 31 PLC ±0.1, 32 PLC ±0.1, 33 PLC ±0.1, 34 PLC ±0.1, 35 PLC ±0.1, 36 PLC ±0.1, 37 PLC ±0.1, 38 PLC ±0.1, 39 PLC ±0.1, 40 PLC ±0.1, 41 PLC ±0.1, 42 PLC ±0.1, 43 PLC ±0.1, 44 PLC ±0.1, 45 PLC ±0.1, 46 PLC ±0.1, 47 PLC ±0.1, 48 PLC ±0.1, 49 PLC ±0.1, 50 PLC ±0.1, 51 PLC ±0.1, 52 PLC ±0.1, 53 PLC ±0.1, 54 PLC ±0.1, 55 PLC ±0.1, 56 PLC ±0.1, 57 PLC ±0.1, 58 PLC ±0.1, 59 PLC ±0.1, 60 PLC ±0.1. ANGLES FINISH: 30°. WEIGHT: 3 g. CUSTOMER DRAWING. DWN: C. L'Abbate. CHK: A. Schroebel. APVD: J. Woller. NAME: 3pos. MCON 1.2 - LL Connector, Sealed. SIZE: A1. CAGE CODE: 00779. DRAWING NO: 1718644. SCALE: 5:1. SHEET: 1 OF 1. REV: F10.

Mouser Electronics

Authorized Distributor

Click to View Pricing, Inventory, Delivery & Lifecycle Information:

[TE Connectivity:](#)

[1-1718644-5](#)