

16

1614 19

## Power supply connectors



Power supply chassis socket, straight version, with break contact and solder eyes, for back side mounting

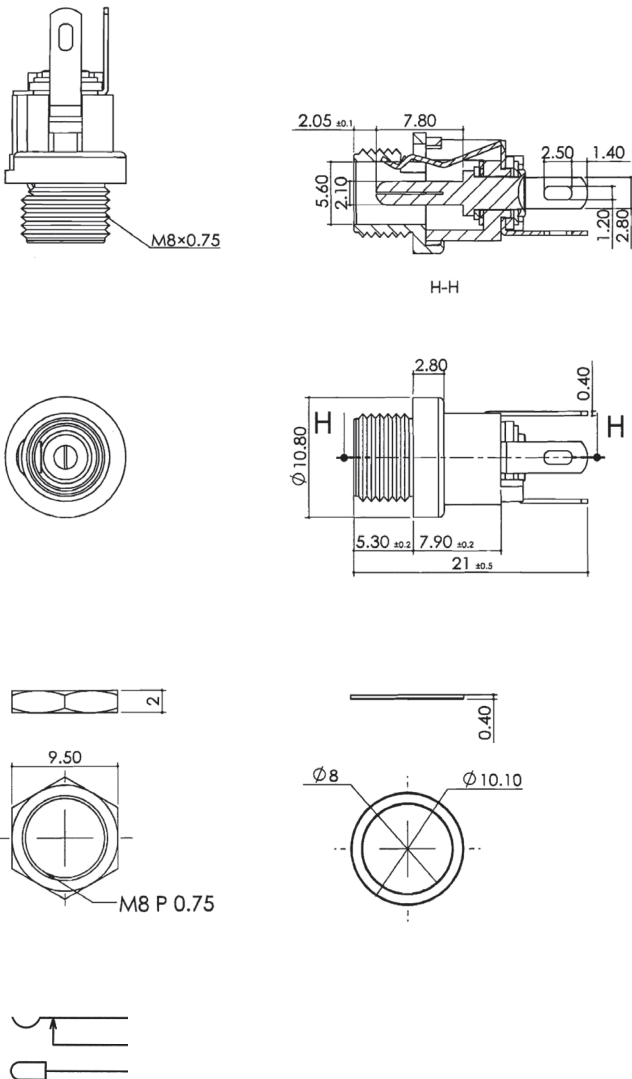
---

State: New

---

16

1614 19



#### Environmental conditions

Temperature range -20 °C/+70 °C

#### Materials

Insulating body	PA, V-0 according to UL94
Contact	CuZn/CuSn, nickel-plated/silver-plated
Insulation	PF
Hexagonal nut	CuZn, nickel-plated
Washer	steel, nickel-plated

#### Mechanical data

Diameter opening	5,6 mm
Diameter center pin	2,1 mm
Mating cycles	≥ 5000
Insertion force	≤ 30 N <sup>1</sup>
Withdrawal force	3–30 N <sup>1</sup>

<sup>1</sup> measured with a gauge plug

#### Electrical data (at T<sub>amb</sub> 20 °C)

Contact resistance	≤ 50 mΩ
Rated current	0,5 A
Rated voltage	12 V DC
Rated impulse voltage	250 V/60 s
Insulation resistance	≥ 100 MΩ

#### Associated products

Counterparts			
☞ 1633 02	☞ 1633 03	☞ NES/J 21	
☞ NES/J 21 W	☞ NES/J 210	☞ XNES/J 210	

16

1614 19

Designation	Pole Number	PU (Pieces)	MDQ (Pieces)
1614 19	2	250	

**Packaging:**

in bulk, in a cardboard box or a plastic bag