

CLW-2412-W2E-ER25 series

12V / 2A Wall mounted type AC/DC adaptor



■ Features:

- Universal AC input / Full range
- ErP step II / CEC level VI compliance
- No load power consumption $P < 0.075W$
- Protections: Overload / Short circuit / Over Voltage



ELECTRICAL SPECIFICATION

| | |
|-------|-------------------|
| MODEL | CLW 2412 W2E ER25 |
|-------|-------------------|

OUTPUT

| | |
|---------------------------|------------------------------------|
| Rated Voltage | 12V |
| Rated Current | 2A |
| Current Range | 0 ÷ 2A |
| Rated Power | 24W |
| Line Regulation | ± 1% |
| Load Regulation | ± 5% |
| Tolerance [3] | ± 8% |
| Ripple & Noise (max.) [2] | 120mV _{P-P} |
| Setup, Rise Time [4] | 5000ms, 30ms / 230VAC at full load |
| Hold up Time (typ.) | 4ms / 230VAC at full load |

INPUT

| | |
|----------------------------------|------------------------------|
| Voltage Range | 90 ÷ 264VAC |
| Frequency Range | 47 ÷ 63Hz |
| Efficiency (typ.) | 86.79% |
| AC Current (typ.) | 0.8A / 115VAC, 0.4A / 230VAC |
| No load Power Consumption (max.) | 0.075W |

PROTECTIONS

| | |
|---------------|-----------------------------------|
| Overload | Range: 105-200% Auto-recovery. |
| Short Circuit | Type: hiccup mode, auto-recovery. |
| Over Voltage | Type: auto-recovery. |

CLW-2412-W2E-ER25 series

12V/2A Wall mounted type AC/DC adaptor



WORKING ENVIRONMENT

| | |
|---|---|
| Working Temperature | 0°C ÷ 40°C |
| Working Humidity | 10 ÷ 90% RH non-condensing |
| Storage Temperature and Humidity | -20°C ÷ 85°C, 5 ÷ 90% RH non-condensing |

SAFETY and EMC REGULATIONS

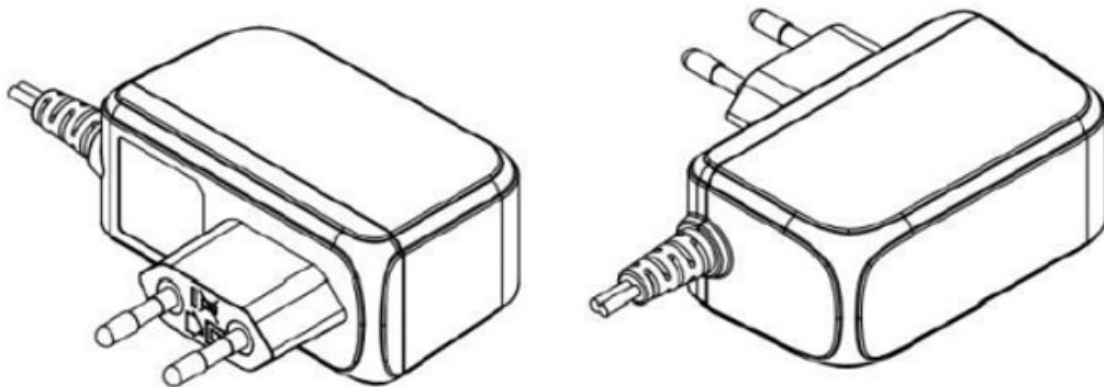
| | |
|-----------------------------|--|
| Safety Standards | Compliance to EN 62368 |
| Withstand Voltage | IN/OUT: 3.6kVAC |
| Isolation Resistance | IN/OUT: 50MΩ/500VDC/25°C/70% |
| EMC Emission | Compliance to EN55032 |
| EMC Immunity | Compliance to EN61000-4-2, -3, -4, -5 |
| Harmonic Current | Compliance to EN61000-3-3; EN61000-3-2 |

OTHERS

| | | |
|-------------------------|---------------------------------|--------------------------------|
| DC wire and plug | Wire: 20AWG*2C, length = 1500mm | Plug: 2.5/5.5, positive inside |
| Dimensions | 82 x 32.6 x 74.1mm (L x W x H) | |
| Net Weight | 120g | |

1. All parameters NOT specially mentioned are measured at 230VAC input, rated load and 25°C of ambient temperature.
2. Ripple & noise are measured at 20MHz of bandwidth by using a 12" twisted pair-wire terminated with a 0.1μF i 47μF parallel capacitor.
3. Tolerance includes set up tolerance, line regulation and load regulation.
4. Setup and rise time is measured from 0 to 90% rated output voltage.
5. Power supply is considered as component not indented to apply by end-user. Power supply meets safety and EMC standards however the final equipment with power supply must be re-quality to comply with EMC Directives.

MECHANICAL SPECIFICATION

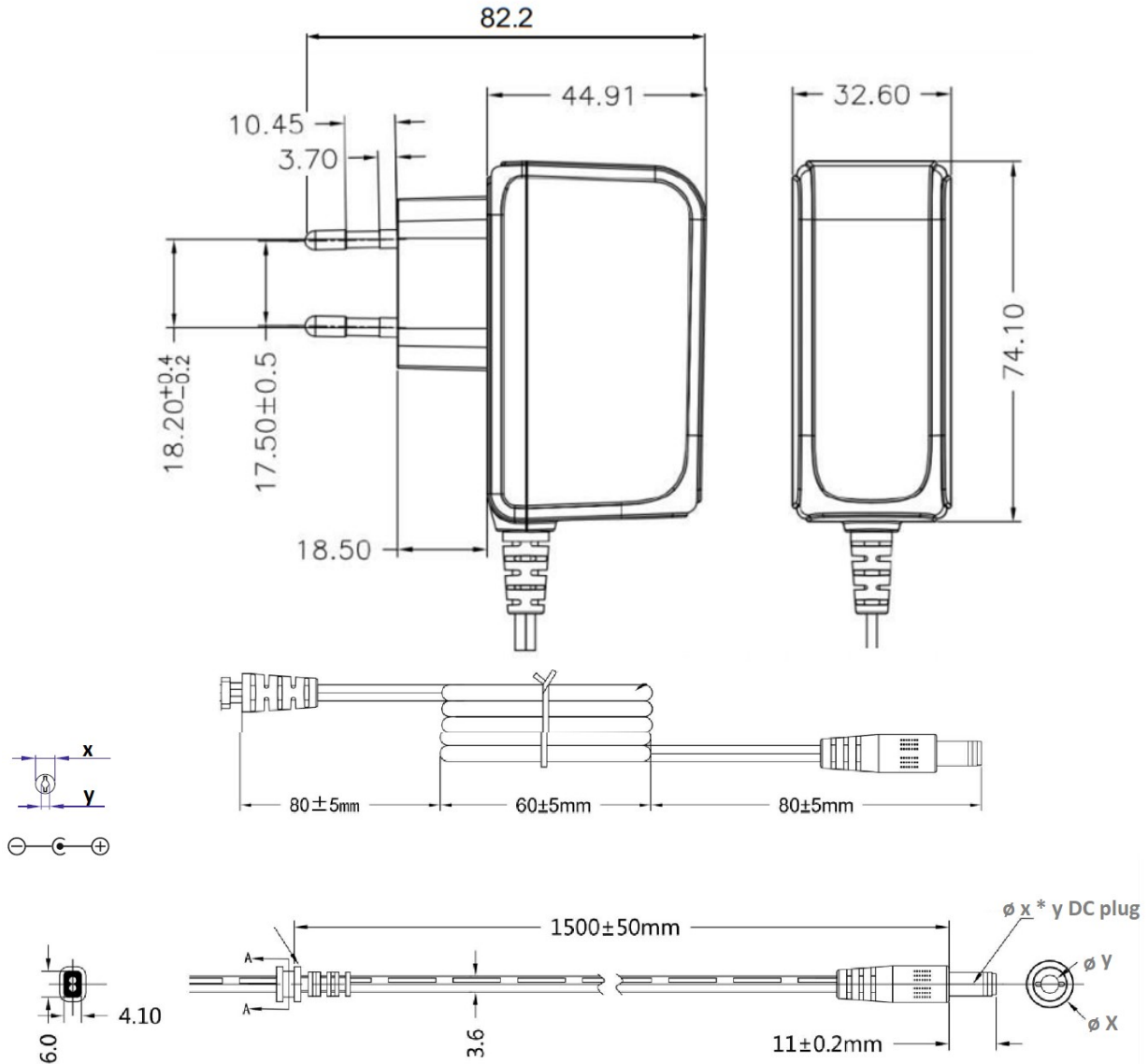


CLW-2412-W2E-ER25 series



12V / 2A Wall mounted type AC/DC adaptor

MECHANICAL SPECIFICATION



| *MODEL | DC PLUG | X [mm] | Y [mm] | Polarity |
|--------------------------|------------------|------------|------------|------------------------|
| CLW-2412-W2E-ER | 5.5x2.1mm | 5.5 | 2.1 | center positive |
| CLW-2412-W2E-ER25 | 5.5x2.5mm | 5.5 | 2.5 | center positive |
| CLW-2412-W2E-ER13 | 3.5x1.3mm | 3.5 | 1.3 | center positive |
| CLW-2412-W2E-ER40 | 4.0x1.7mm | 4.0 | 1.7 | center positive |
| CLW-2412-W2E-ER48 | 4.8x1.7mm | 4.8 | 1.7 | center positive |
| CLW-2412-W2E-ER-CN | 5.5x2.1mm | 5.5 | 2.1 | center negative |
| CLW-2412-W2E-ER25-CN | 5.5x2.5mm | 5.5 | 2.5 | center negative |
| CLW-2412-W2E-ER13-CN | 3.5x1.3mm | 3.5 | 1.3 | center negative |
| CLW-2412-W2E-ER40-CN | 4.0x1.7mm | 4.0 | 1.7 | center negative |
| CLW-2412-W2E-ER48-CN | 4.8x1.7mm | 4.8 | 1.7 | center negative |