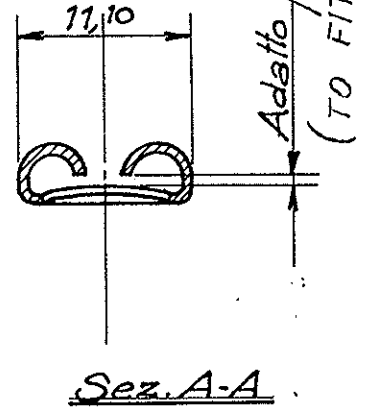
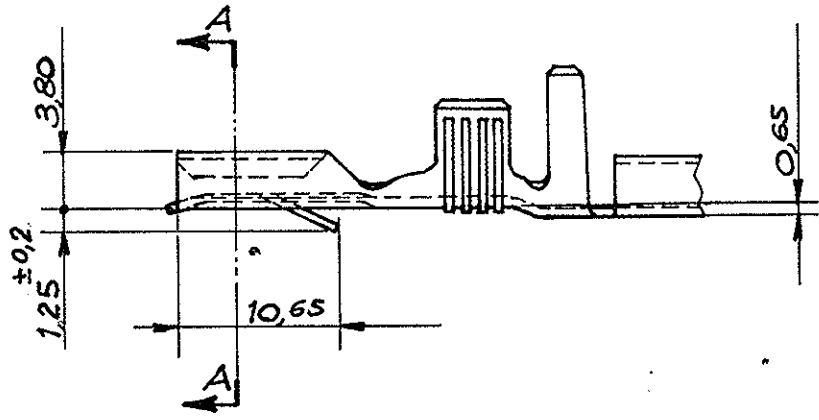
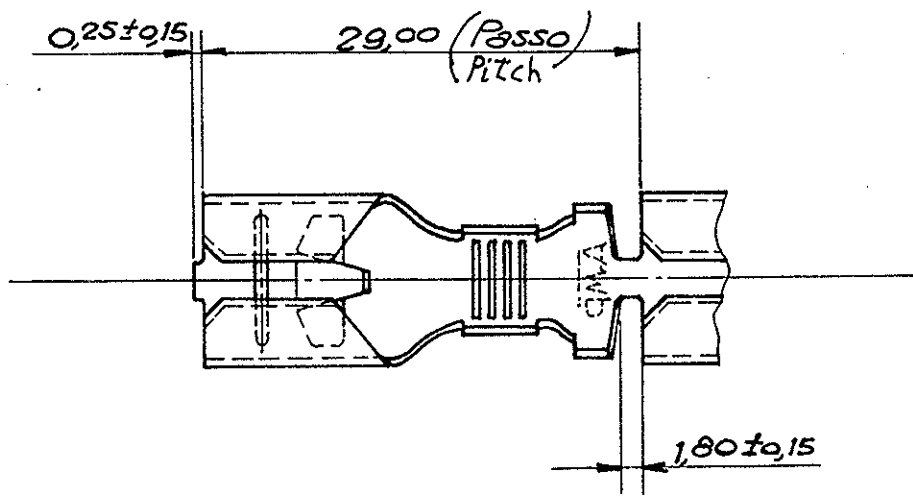


280756



1 OBSOLETE

PROIEZIONE AMERICANA

DIMENSIONS IN MM. DO NOT SCALE PRINT

L3	ECR-10-022530	KK	HMR	08FEB11	© 1976 BY TE INCORPORATED. ALL RIGHTS RESERVED. TE PRODUCTS COVERED BY PATENTS AND OR PATENTS PENDING.	CUSTOMER COPY REFERENCE ONLY				
L2	STARTEC UPDXTING		H.Y.		MATERIAL AND FINISH	TE Connectivity				
L1	REVISED ETOD-0225-99		R.M.	4-5 2000	1 Δ / 1 OTTONE --- / 2 OTTONE STAGNATO					
B	DIM. 1,25±0,2 NAS 1,40			16/11/82	1 Δ / 3 BRONZO FOSFOROSO --- / 4 BRONZO FOSF. STAGNATO	CLASS				
A	IN PRODUZIONE			29-DIC.76	WIRE RANGE INSULATION 3÷6 mm ² ϕ 3,4÷5,1 mm	TYPE				
1	P/N ERA IA-76-5207			20/7/86	TOLERANCE EXCEPT AS NOTED ±0,3 · 1 ^o 0 ^o	SCALE 2:1	LOC I	NO A	NO 280756	REV L3
LTR	REVISION RECORD	DR	CHK	DATE	NAME					
DR	Gopper JULY 1976		DE							
CHK			APR	29/24/76						
.375 SERIES FASTIN-FASTON RECEPTACLE										