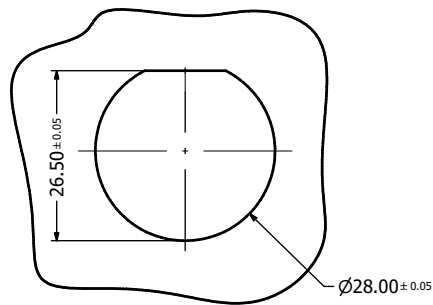


Notes:

1. Electrical Specifications:
 - Meets USB 2.0 Specification
 - Contact Resistance: 30 mOhm max.
 - Insulation Resistance: 1000 MOhm min. @ 100 VDC
 - Current Rating: 1.5 A max. at 25° C
 - Working Voltage: 30 V (RMS) max.
 - DWV: 500 VAC/60s at sea level
 - Operating Temperature: -40° C to +85° C
2. Material and Finish:
 - Ⓐ - Receptacle Housing, Zinc Die-Cast, Nickel Plated
 - Metal Cover, Panel Nut: Brass, Nickel Plated
 - Ball Chain: Copper Alloy, Nickel Plated
 - Panel Gasket, Silicon, Color: White
 - Ⓑ - Cover Gasket: Silicon, Color: White
 - USB Adaptor Insulator: PBT, UL94 V-0, Black
 - USB Adaptor Metal Shell: Copper Alloy, Nickel Plated
 - USB Adaptor Overmold: PBT UL94 V-0, Black
 - USB Contacts: Copper Alloy, Finish: 30 u" Gold min. over Nickel
3. Connector can be front or rear mounted to a maximum panel thickness of 3.2 mm.
4. IP67 rated when fully mated with appropriate mating connector



Recommended Panel Cutout Ⓒ

Pin-Assignment

Type A F	Type A F
Pin1 -----	Pin1
Pin2 -----	Pin2
Pin3 -----	Pin3
Pin4 -----	Pin4
Shell -----	Shell

RoHS compliant

THIS DRAWING MAY NOT BE COPIED OR REPRODUCED IN ANY MANNER WITHOUT THE WRITTEN PERMISSION OF CONEC CORPORATION. OWNERSHIP AND COPYRIGHT OF CONEC CORPORATION.	Customer:							Scale: 1.2:1	Dim. in mm
	Name	Title	Approval Date	Tolerance Unless otherwise specified 0 PLC ±0.50 1 PLC ±0.38 2 PLC ±0.25 3 PLC ±0.10 ANGLES ±3°	Autodesk Inventor			Material: See Notes	
	1 x g	A21-0426	02.11.2021	Bub	2009	Date	Name	IP67 USB Receptacle + Cover Kit with USB 2.0 Type A F/F Adaptor Metal Version	
	f	1 x f	Feb/06/2014	Vincent Ke	Draw.	Jun. 05	Vincent Ke		
	e	1 x e	May/22/2013	Vincent ke	Appd.	Jun. 05	J. Chaudry	Drawing No.: 17K1A250	
	d	1 x d	Jan/12/2012	Vincent Ke	Norm				
	c	1 x c	Jul/12/2011	Vincent ke	D-old			Part No.: 17-200431	
	b	2 x b	Mar/08/2011	Vincent ke					
	a	original						DIN A3 Sheet 1/1	
	Rev	Changes	Date	Name					

