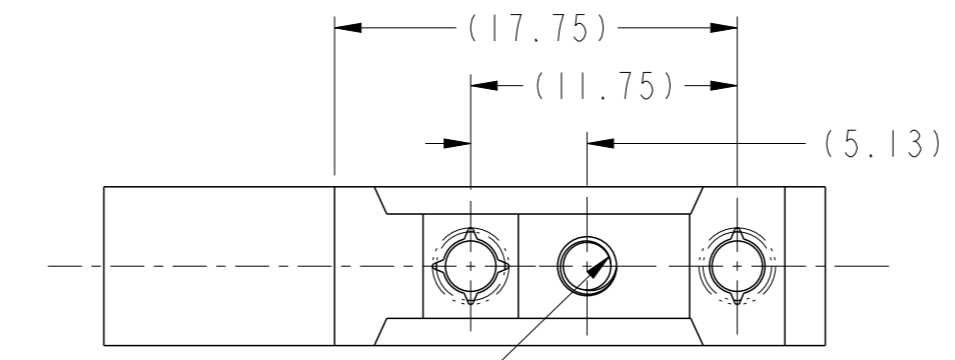
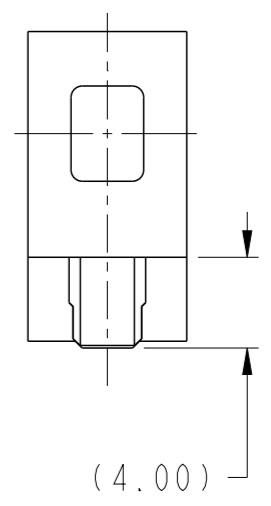
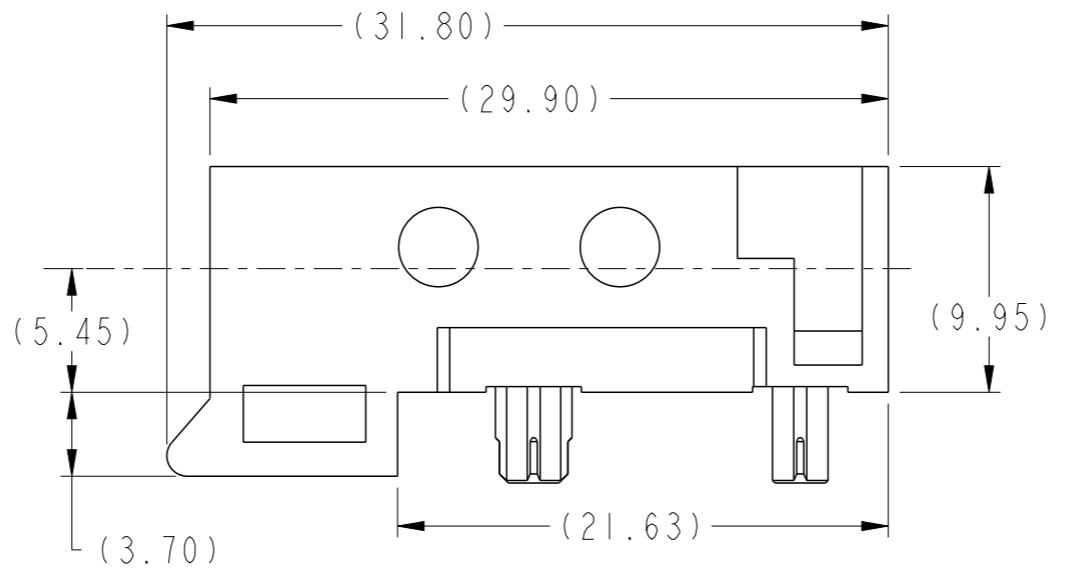
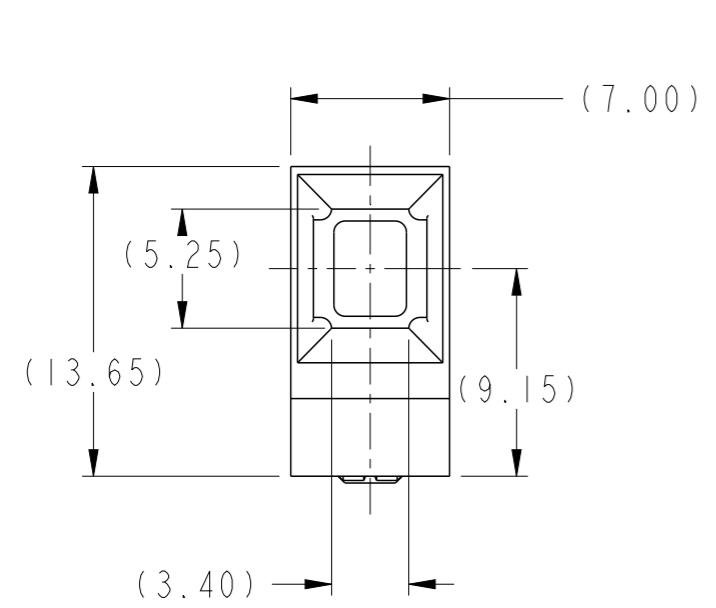


PRODUCT NUMBER
SEE TABLE, SHT 2



M3 x 0.5-6H
x 3.0 DEEP
(0.3 x 45° CHAMFER)

spec ref	-	dr	Chen-Hong Tan	2005/08/18	projection	MM	size	A3	scale	3:1
tolerance std	ASME Y14.5	eng	Terry Luo	2019/04/24			ecn no	ELX-DG-33324-1		
TOLERANCES UNLESS OTHERWISE SPECIFIED		chr	-	-			product family	AirMax ACCESSORIES		rel level
surface	linear	0.X	±0.3	Amphenol FCI	7.2MM R/A GUIDE SOCKET		dwg no 10045367	rev		E
		0.XX	±0.10		2/3 PAIR					
	angular	0°	±2°		cat. no.	-	Product - Customer Drw	sheet 1 of 2		

Amphenol
FCi

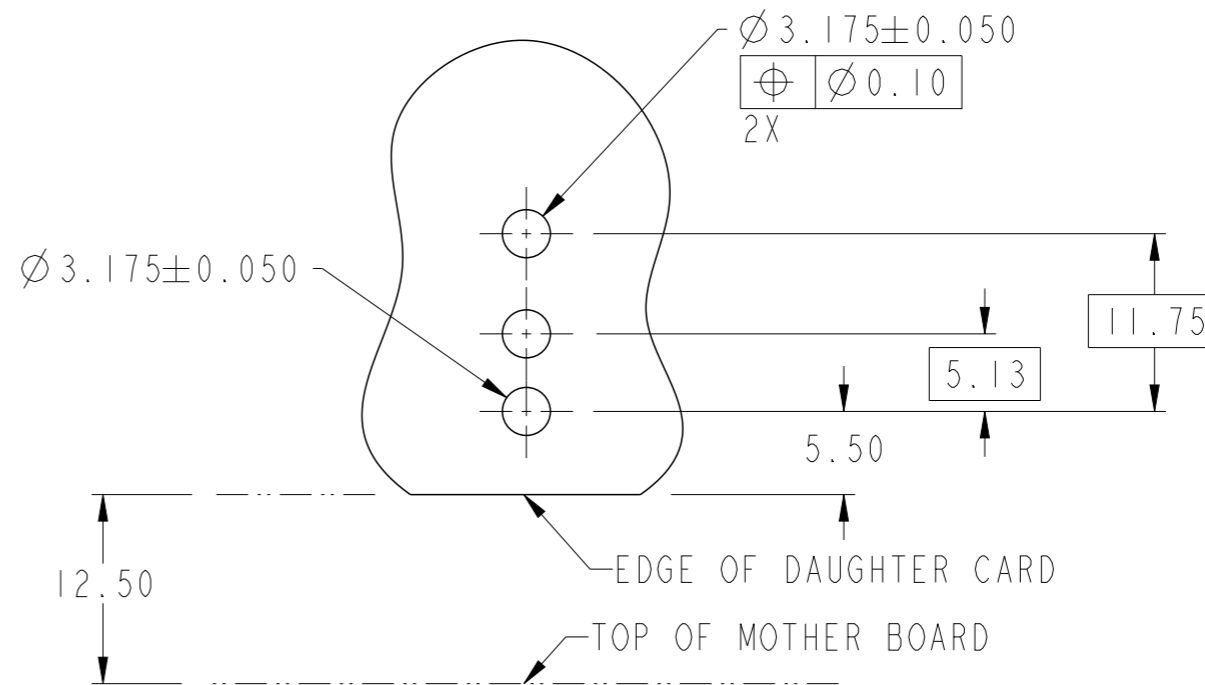
© 2016 AFCI

PRODUCT NUMBER

10045367-101LF

NOTES:

- ① MATERIAL: ZINC ALLOY.
- ② FINISH: TRIVALENT CHROMATE IRIDESCENT
- ③ APPLICATION SPECIFICATION: GS-20-045.
- ④ REFER TO CUSTOMER DRAWING 10035911 FOR INFORMATION REGARDING PCB LAYOUT OF POWER AND GUIDE MODULES RELATIVE TO SIGNAL MODULES.
- 5 THIS PRODUCT MEETS EUROPEAN UNION DIRECTIVES AND OTHER COUNTRY REGULATIONS AS DESCRIBED IN GS-22-008.
- 6 PACKAGING MEETS GS-14-920 LEAD FREE LABELING SPECIFICATION.



RECOMMENDED PCB LAYOUT

NOTE 4
SCALE: 2:1

Amphenol
FCi

© 2016 AFCI

spec ref	-	dr	Chen-Hong Tan	2005/08/18	projection	MM	size	A3	scale	1:1	
tolerance std	ASME Y14.5	eng	Terry Luo	2019/04/24			ecn no		ELX-DG-33324-1		
TOLERANCES UNLESS OTHERWISE SPECIFIED		chr	-	-			rel level		Released		
surface	linear	appr	Heaven Cen	2019/04/25	product family			AirMax ACCESSORIES			
	angular	Amphenol FCi		7.2MM R/A GUIDE SOCKET			dwg no		10045367		
				2/3 PAIR			rev		E		
				cat. no.			Product - Customer Drw			sheet 2 of 2	