

Installation Instructions for the 40PC Series Miniature Signal Conditioned Pressure Sensors

ISSUE 8

PK 88820

▲WARNING

PERSONAL INJURY

DO NOT USE these products as safety or emergency stop devices, or in any other application where failure of the product could result in personal injury.

Failure to comply with these instructions could result in death or serious injury.

GENERAL INFORMATION

40PC Series miniature pressure sensors are fully compensated and amplified. The 0.5 V to 4.5 V analog output voltage signal is linearly proportional to input pressure.

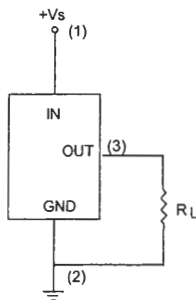
The miniature package mounts easily on printed circuit boards. The 6-pin DIP package has pin 1 clearly indicated by the square corner. Pins 4, 5, and 6 are internal connections. Do not connect to external circuitry unless otherwise noted.

SOLDERING/ASSEMBLY

Limit soldering to 315 °C [600 °F] maximum, with duration of 10 seconds maximum. Leads must be adequately supported during any forming/shearing operation to ensure that the leads are not stressed inside the plastic case.

Clean appropriately in accordance with applicable safety procedures

ELECTRICAL CONNECTION



NOTES:

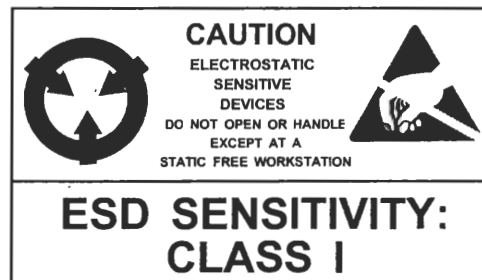
1. Square corner marks pin 1 (Vs).
2. Output can be shorted to ground. Do not short to the positive supply voltage.

ELECTRICAL SPECIFICATIONS

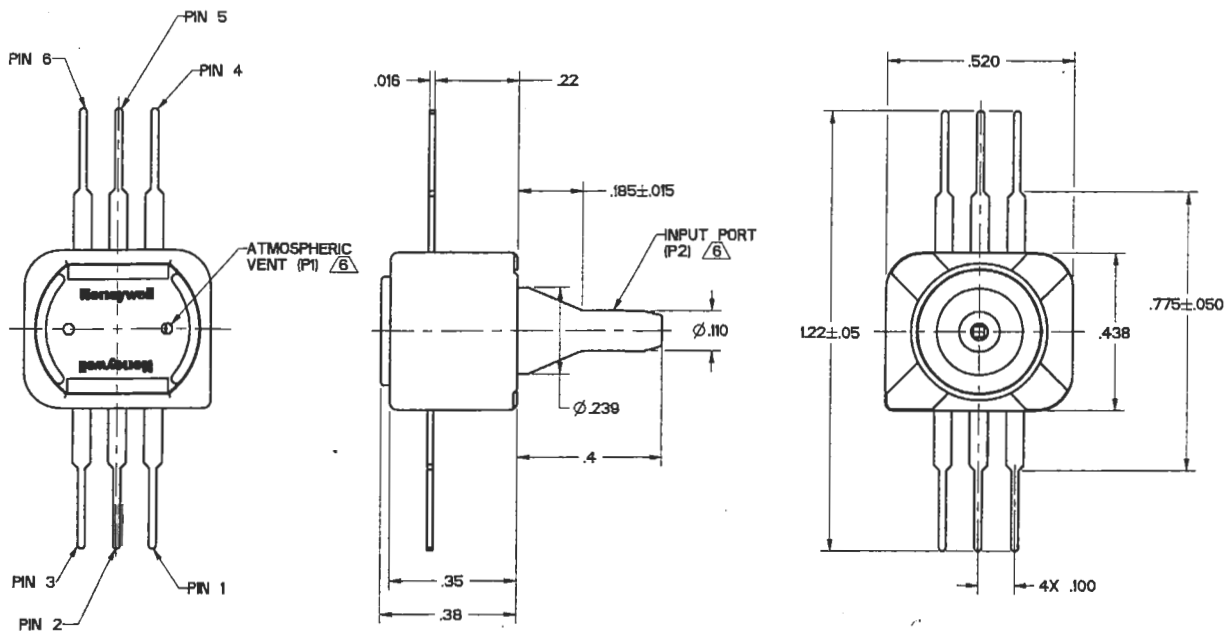
@ 25 °C, 5 Vdc (unless otherwise noted)

Full Scale	4.50 Vdc Typ.
Supply Voltage	5 Vdc
Supply Current	10 mA max.
Output Source Current	0.5 mA max.
Output Sink Current	1.0 mA max.
Short Circuit Limit	See Note 2
Operating Temperature	-45 °C to 125 °C [-49 °F to 257 °F]
Storage Temperature	-55 °C to 125 °C [-67 °F to 257 °F]

Hysteresis & Repeatability	0.15 % Span, Typ.
Media Compatibility	P1 Port: Dry Gases Only. Media must be compatible with epoxy based adhesive P2 Port: Media must be compatible with glass, silicon, stainless steel, invar, Sn/Ni plating and An/Ag solder



MOUNTING DIMENSIONS (for reference only – inches)



PIN DESIGNATIONS

- | | |
|-----------------------|-----------------------|
| PIN 1 = $V_s (+)$ | PIN 4 = No Connection |
| PIN 2 = Ground (-) | PIN 5 = No Connection |
| PIN 3 = $V_{OUT} (0)$ | PIN 6 = No Connection |

WARRANTY/REMEDY

Honeywell warrants goods of its manufacture as being free of defective materials and faulty workmanship. Contact your local sales office for warranty information. If warranted goods are returned to Honeywell during the period of coverage, Honeywell will repair or replace without charge those items it finds defective. The foregoing is Buyer's sole remedy and is **in lieu of all other warranties, expressed or implied, including those of merchantability and fitness for a particular purpose.**

Specifications may change without notice. The information we supply is believed to be accurate and reliable as of this printing. However, we assume no responsibility for its use.

While we provide application assistance personally, through our literature and the Honeywell web site, it is up to the customer to determine the suitability of the product in the application.

For application assistance, current specifications, or name of the nearest Authorized Distributor, check the Honeywell web site or call:

- 1-800-537-6945 USA
- 1-800-737-3360 Canada
- 1-815-235-6847 International

FAX

1-815-235-6545 USA

INTERNET

www.honeywell.com/sensing
info.sc@honeywell.com

Honeywell

Sensing and Control

Honeywell
 11 West Spring Street
 Freeport, Illinois 61032
 PK 88820-8-EN IL50 GLO 303 Printed in USA

www.honeywell.com/sensing