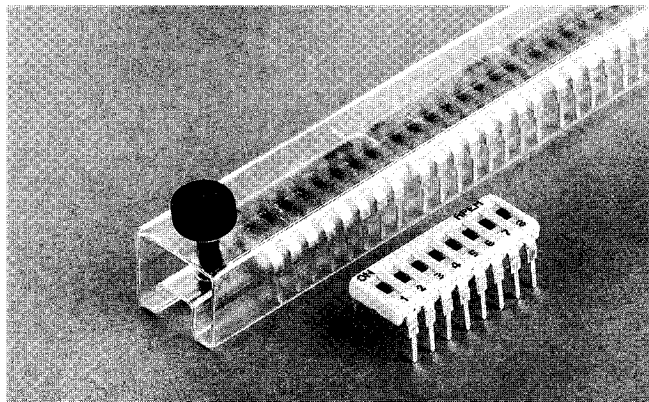
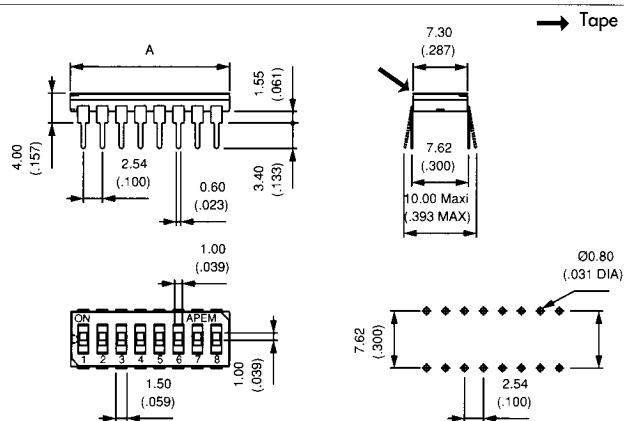


IK SERIES THROUGH-HOLE DIP SWITCHES



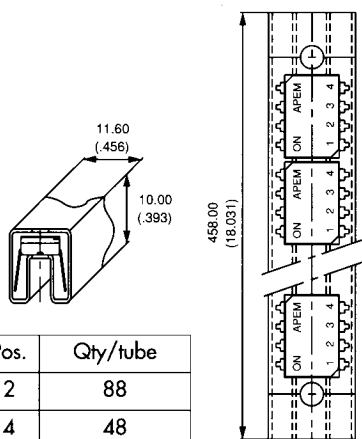
- Low profile : 4 mm (.156)
- Self-cleaning wiping contacts
- Recessed actuator with positive detent
- Tin plated terminals
- Wave solderable
- Washable

Model No	No pos.	Dimension "A"
IKN0200000	2	6 (.236)
IKN0400000	4	11.10 (.437)
IKN0600000	6	16.20 (.637)
IKN0800000	8	21.30 (.838)



All switches are supplied in "ON" position.

PACKAGING



Pos.	Qty/tube
2	88
4	48
6	33
8	25

IC TUBES

SPECIFICATIONS

- Max. current/voltage rating :
 - switching : 100mA 24VDC
 - non-switching : 100mA 48VDC
- Contact resistance :
 - initial: 30 mΩ max.
 - after 2.000 cycles : 100 mΩ max.
- Insulation resistance : 1.000 MΩ min. at 500VDC
- Dielectric strength : 500 VAC min.
- Electrical life : 2.000 cycles
- Travel : 0,67 mm (.026)
- Operating temperature : -40°C to +100°C
- Storage temperature : -55°C to +125°C

MATERIALS

- Case and actuator : UL 94-V0 thermoplastic
- Stationary contact : bronze, gold plated over nickel barrier
- Moving contact : beryllium copper, gold plated
- Terminals : tin plated over nickel barrier
- Protection tape : polyimide

Dimensions : First dimensions are in mm while inches are shown as bracketed numbers.

Tolerance : The general tolerance for dimensions in this brochure is +/- 0,3 (.012).

Dimensions, specifications and data shown in this brochure are subject to change without notice.