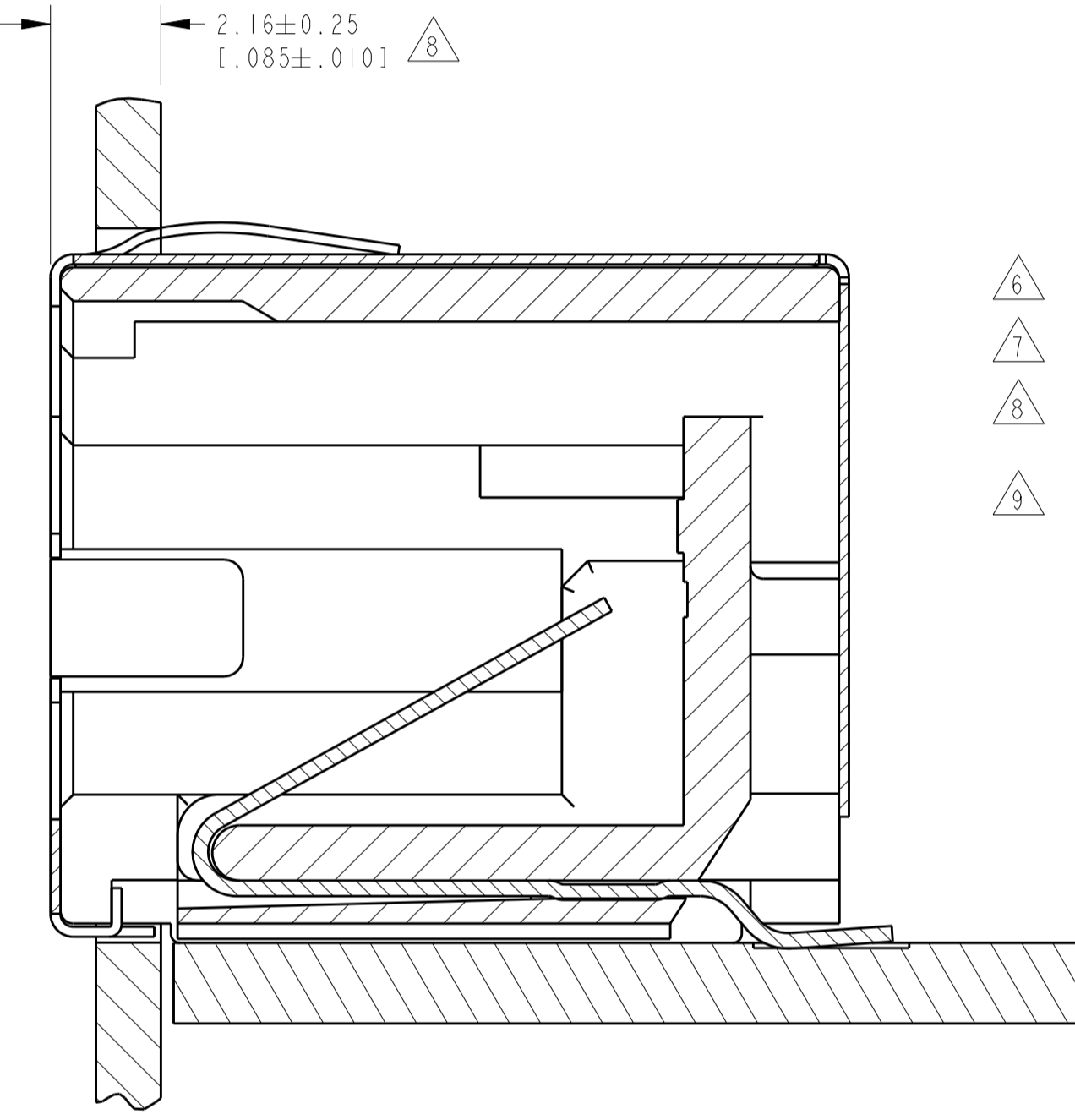
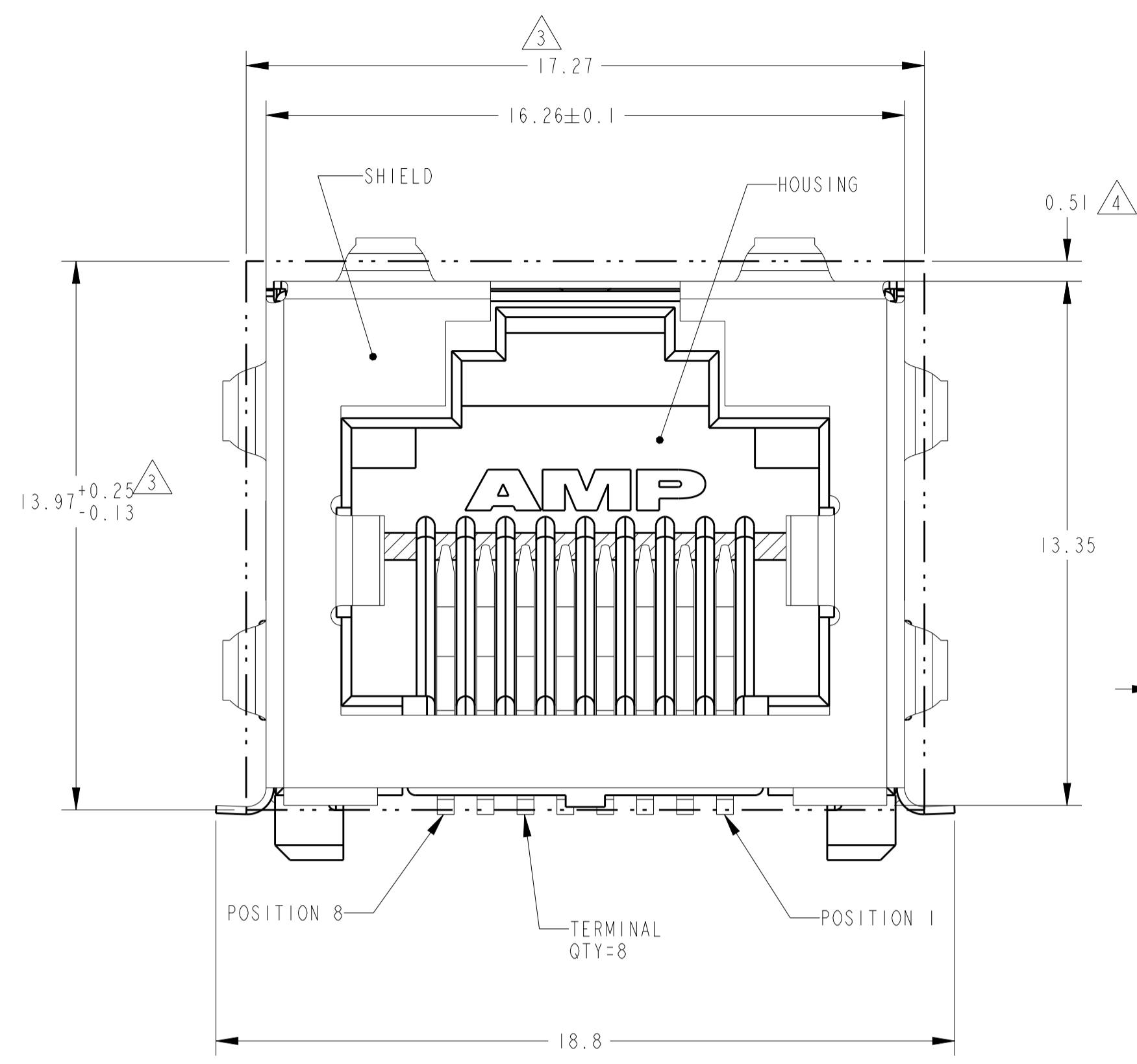
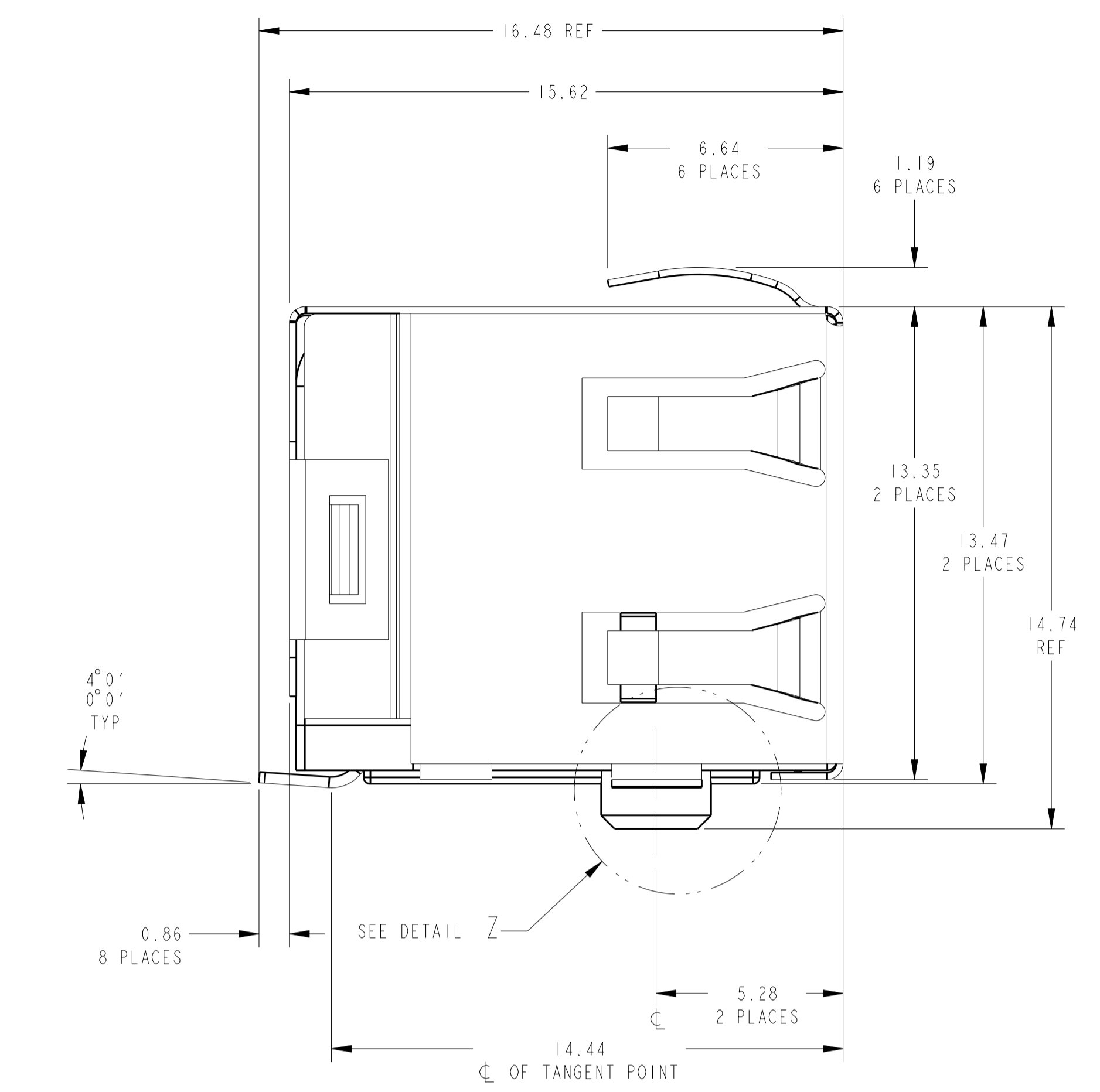
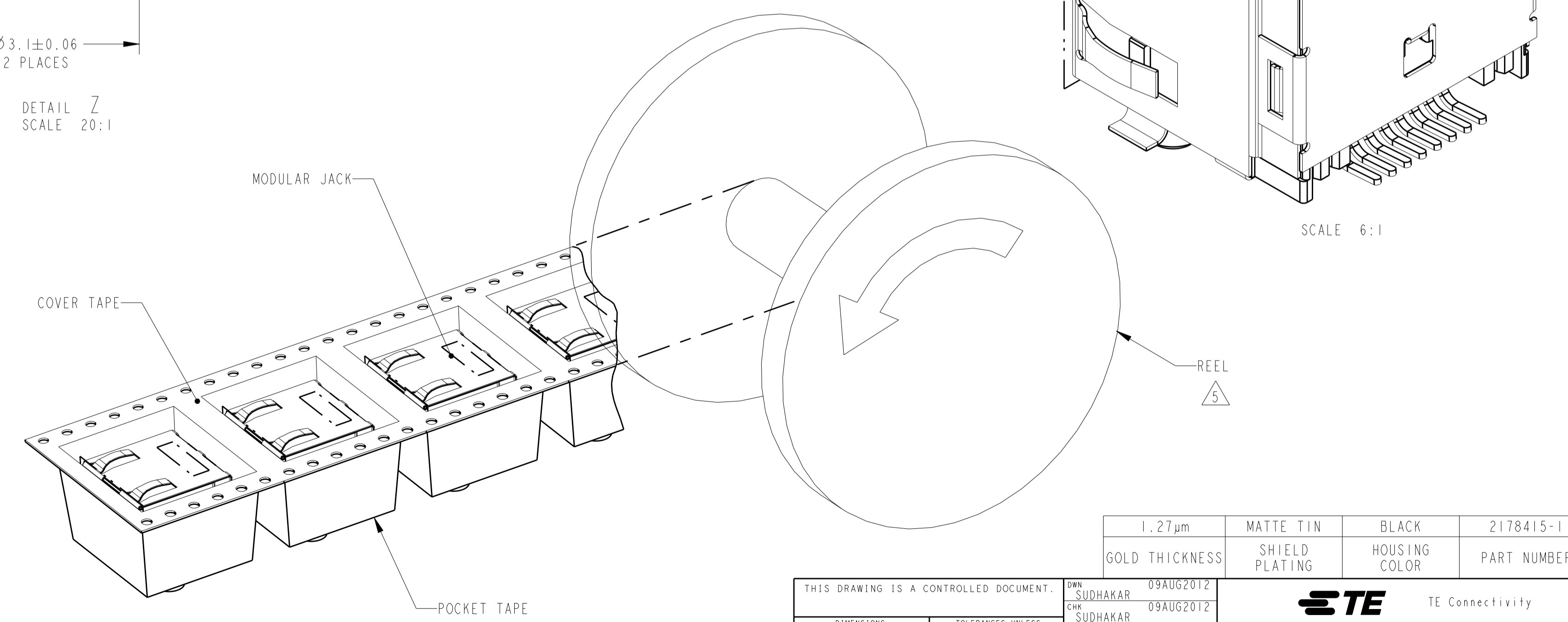
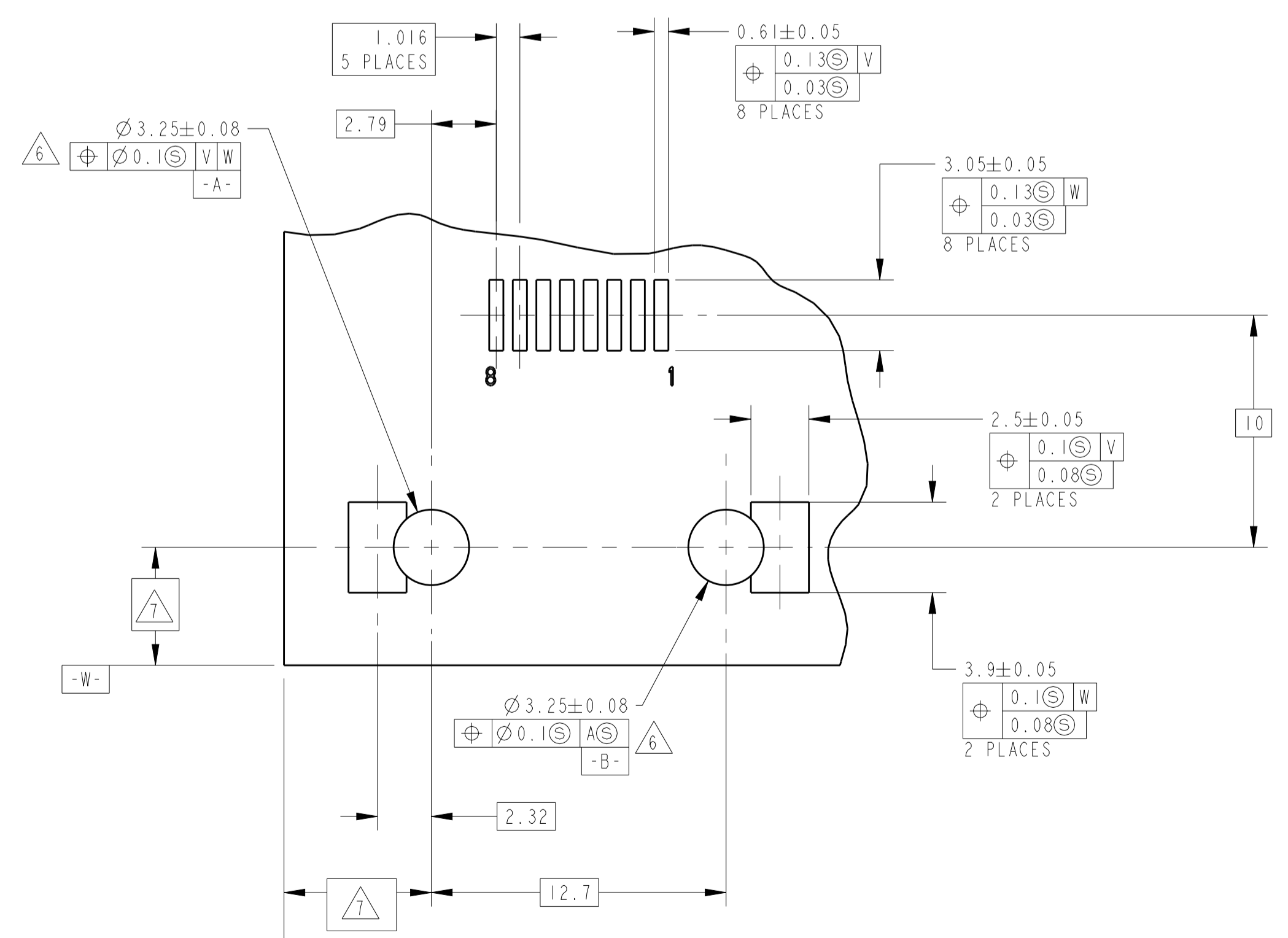
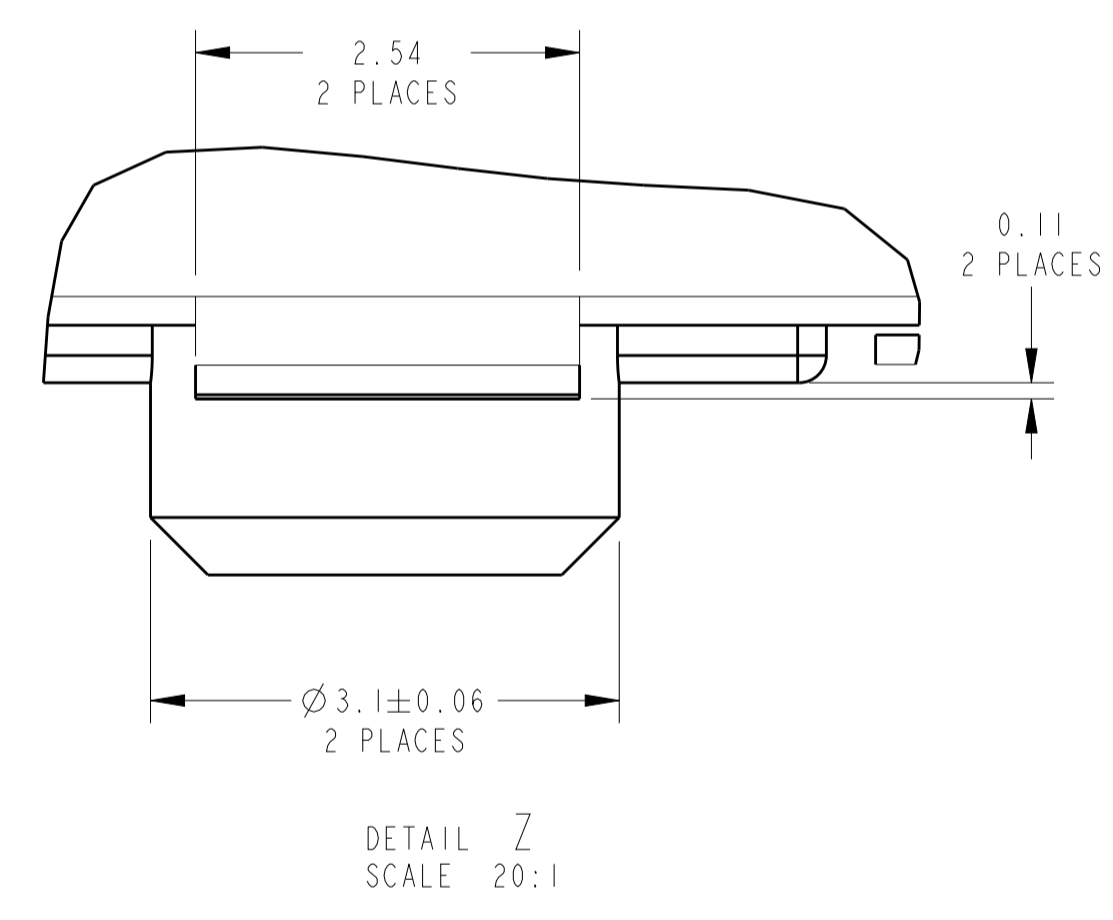


LOC	DIST	REVISIONS			
		REV	DATE	BY	APPV
IR	-	A	09AUG2012	SS	RRP



- MATERIAL:  
 HOUSING - HIGH TEMP. THERMOPLASTIC - LCP. COLOR: SEE TABLE, UL94V-0.  
 TERMINALS - 0.30 THICK PHOS BRONZE PLATED WITH 2.03µm MIN THICK MATTE TIN IN SOLDER AREA.  
 GOLD (SEE TABLE) IN LOCALIZED PLATE AREA OVER 1.27µm MIN THICK NICKEL.  
 SHIELD - (SEE TABLE) 0.196 THK BRASS PREPLATED WITH 2.03µm-3.81µm THICK MATTE TIN OVER 0.76µm-2.03µm NICKEL UNDERPLATE, OR 0.76-2.03µm NICKEL WITH SELECTIVE TIN PLATED SOLDER TABS
  - JACK CAVITY CONFORMS TO FCC RULES AND REGULATIONS PART 68, SUBPART F.
- △3 SUGGESTED PANEL OPENING DIMENSIONS. SEE APPLICATION SPEC. 114-2154 FOR PANEL THICKNESS AND POSITION RECOMMENDATIONS  
 △4 SUGGESTED CLEARANCE BETWEEN TOP OF CONNECTOR AND TOP PANEL OPENING  
 △5 PACKAGED: POCKET TAPE & REEL (PER EIA 481 SPECIFICATIONS)  
 POCKET TAPE WIDTH - 44mm  
 POCKET PITCH - 24mm  
 POCKET DEPTH - 16.7mm  
 CLEAR COVER TAPE, PSA  
 CLEAR COVER TAPE TRAILER - 1220mm, WRAPPED ON REEL HUB  
 PLASTIC REEL - 381mm DIAMETER  
 PRODUCT QUANTITY - 200 PIECES PER REEL
- △6 ZERO INSERTION FORCE POST WITH RECOMMENDED PCB LAYOUT  
 △7 DATUM ESTABLISHED BY CUSTOMER.  
 △8 CONNECTOR SHOULD BE POSITIONED THRU PANEL CUTOUT AS SHOWN TO SUPPORT TOP OF MODULAR JACK FOR STRAIN RELIEF.  
 △9 MANUFACTURING DATE CODE LOCATED APPROXIMATELY AS SHOWN. FIRST 2 DIGITS ARE YEAR, SECOND 2 DIGITS ARE WORK WEEK, LAST DIGIT IS THE DAY OF THE WEEK



SUGGESTED PCB LAYOUT (COMPONENT SIDE)

THIS DRAWING IS A CONTROLLED DOCUMENT.		DWN: SUDHAKAR	09AUG2012	1.27µm	MATTE TIN	BLACK	2178415-1
DIMENSIONS:		CHK: SUDHAKAR	09AUG2012	GOLD THICKNESS	SHIELD PLATING	HOUSING COLOR	PART NUMBER
mm	0 PLC ±	APV: RAJENDRA	09AUG2012				
	1 PLC ±0.25	NAME: INVERTED MOD JACK ASSEMBLY, 1X1, SHIELDED SURFACE MOUNT, 8 POSITION RJ45		STC Connectivity			
	2 PLC ±	PRODUCT SPEC: 108-1163-7		RESTRICTED TO			
	3 PLC ±	APPLICATION SPEC: 114-6040/114-2154		SCALE: 8:1 SHEET 1 OF 1 REV A			
	4 PLC ±	MATERIAL: SEE NOTE 1					
	ANGLES ±	FINISH: SEE NOTE 1					
		WEIGHT: -					
		Customer Drawing					

# Mouser Electronics

Authorized Distributor

Click to View Pricing, Inventory, Delivery & Lifecycle Information:

[TE Connectivity:](#)

[2178415-1](#)