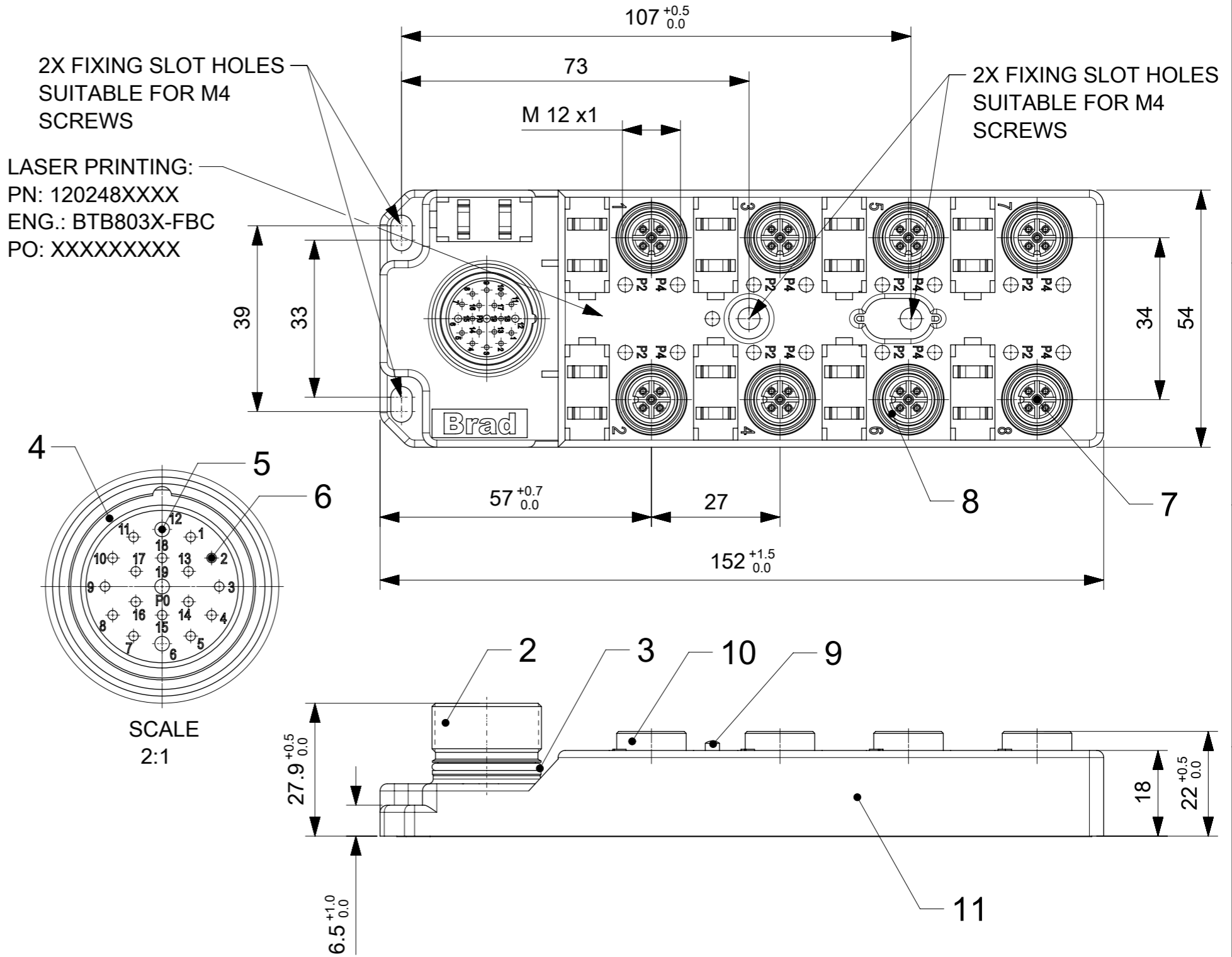
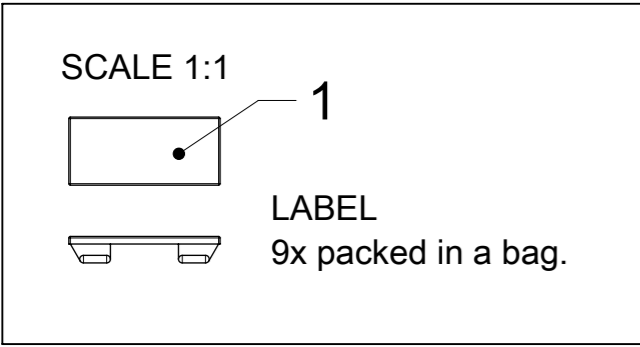


TABLE 1

MOLEX P/N	ENG. NO.	LED
1202480065	BTB8030-FBC	NO
1202480066	BTB803P-FBC	YES
1202480136	BTB803N-FBC	YES

TABLE 2 BILL OF MATERIAL

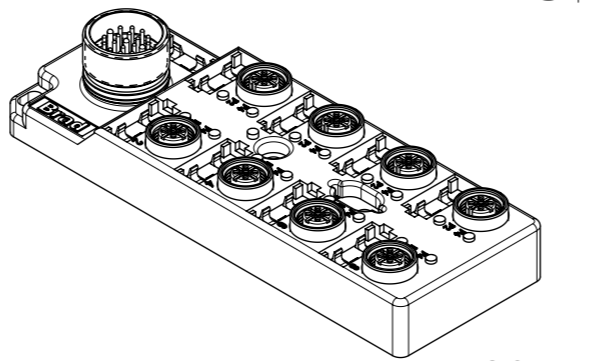
ITEM	DESCRIPTION	MATERIAL	FINISH
1	LABEL	ABS	WHITE
2	SHELL	BRASS	NICKEL PLATED
3	O-RING	NBR	BLACK
4	O-RING	NBR	BLACK
5	CONTACT	BRASS	GOLD OVER NICKEL
6	CONTACT	BRASS	GOLD OVER NICKEL
7	CONTACT	BRONZE	GOLD OVER NICKEL
8	O-RING	FPM	RED
9	LED	NO LED = PA	BLACK
		WITH LED = PA	TRANSPARENT
10	SHELL	BRASS	NICKEL PLATED
11	HOUSING	PBT	BLACK



GENERAL CHARACTERISTICS:

ELECTRICAL AND MECHANICAL DATA ACC. TO IEC 61076-2-101

NOMINAL VOLTAGE: 10-30 V DC
 AMPERE RATING: 4 A PER PORT / 12 A MAX
 AMPERE RATING WITH UL REGISTRATION: 3 A PER PORT / 9 A MAX
 IP DEGREE OF PROTECTION: IP 67
 TEMPERATURE RANGE: -25°C to + 85°C



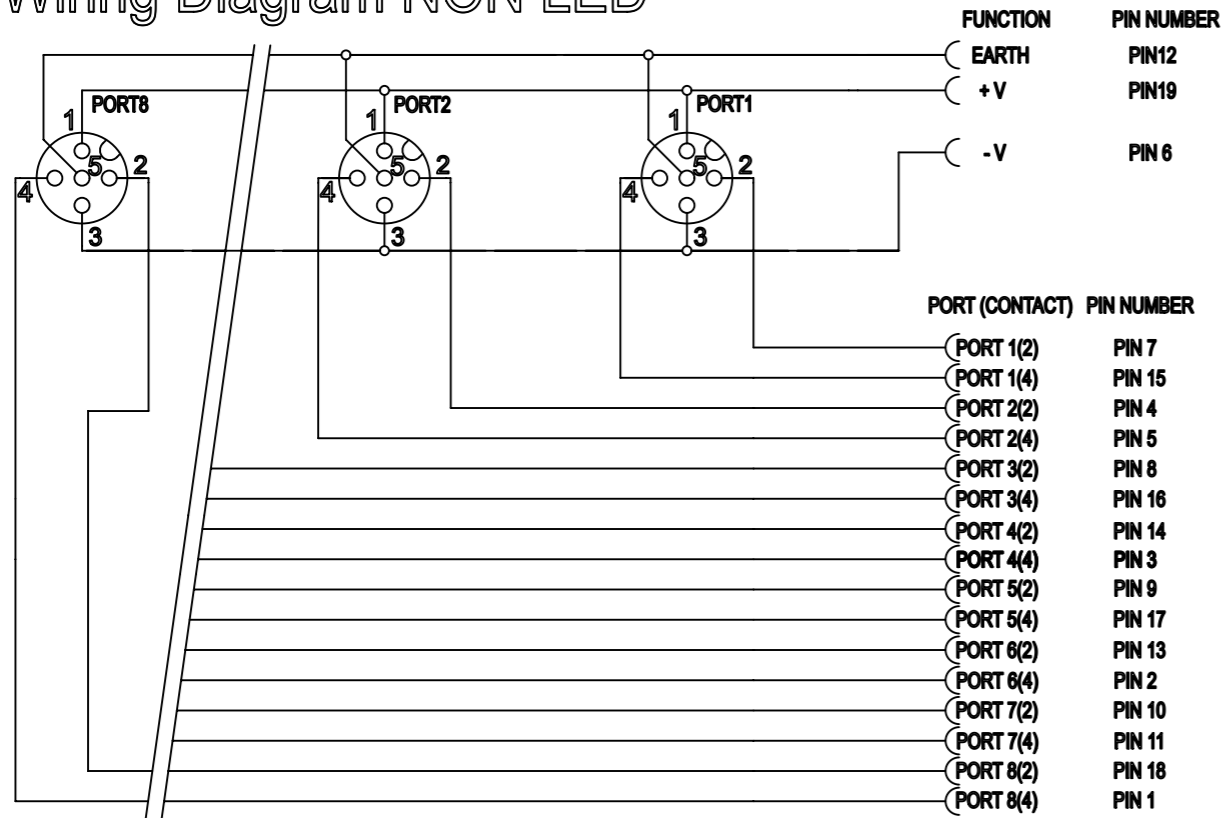
SYMBOLS		THIS DRAWING CONTAINS INFORMATION THAT IS PROPRIETARY TO MOLEX ELECTRONIC TECHNOLOGIES, LLC AND SHOULD NOT BE USED WITHOUT WRITTEN PERMISSION	
DIMENSION UNITS	SCALE	CURRENT REV DESC:	ADDED
mm		LAZER PRINTING	
GENERAL TOLERANCES (UNLESS SPECIFIED)		EC NO: 172073	
ANGULAR TOL	± °	DRWN: BBRAUCH	2018/01/31
4 PLACES	±	CHK'D: ULETTENMEIER	2018/02/08
3 PLACES	±	APPR: RSILLER	2018/02/09
2 PLACES	±	INITIAL REVISION:	
1 PLACE	±	DRWN: AAHLERS	2015/04/02
0 PLACES	± 0.25	APPR: JALEXANDER	2015/05/20
DRAFT WHERE APPLICABLE MUST REMAIN WITHIN DIMENSIONS		THIRD ANGLE PROJECTION	DRAWING
		A3-SIZE	SERIES
		120248	MATERIAL NUMBER
		SEE TABLE 1	CUSTOMER
		GENERAL MARKET	SHEET NUMBER
		1 OF 2	

molex

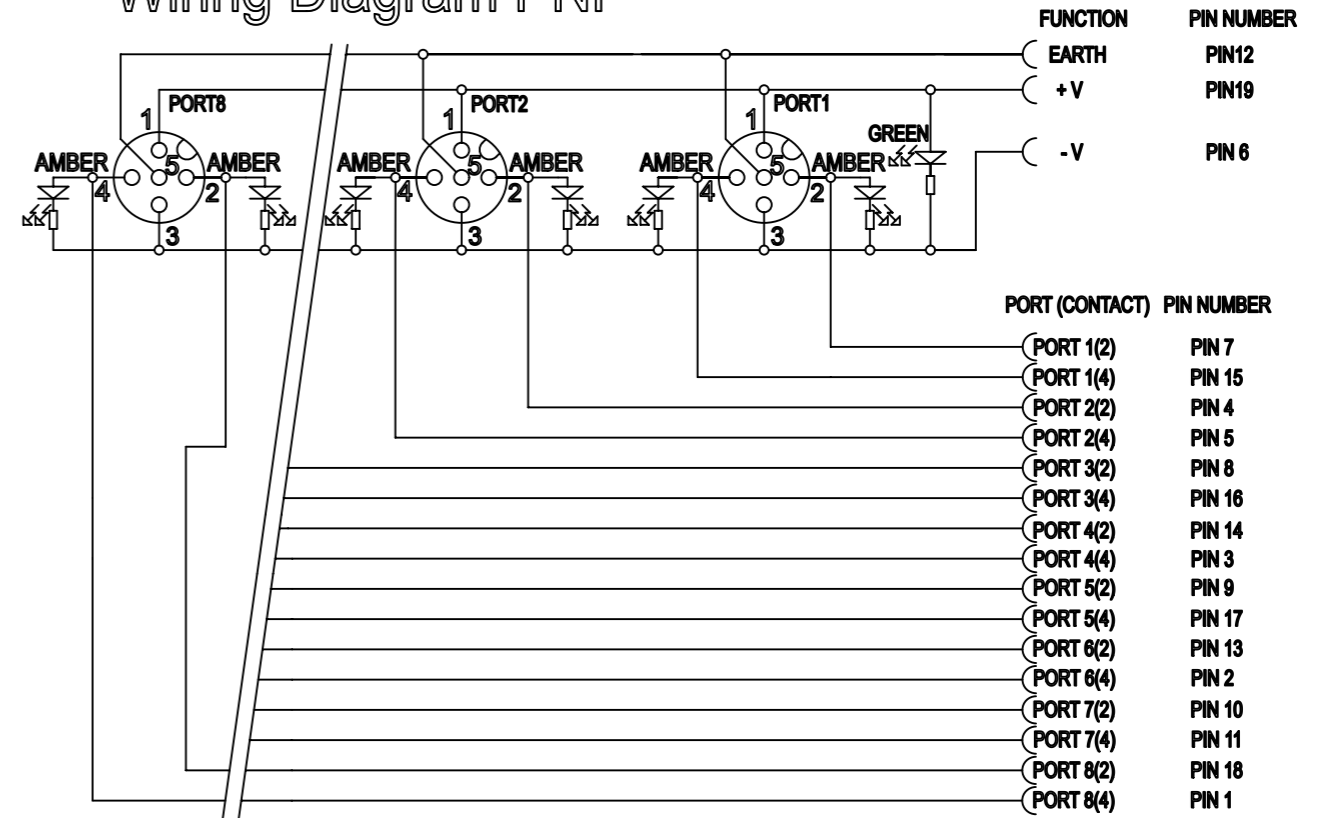
MPIS M12 PNP NPN NOS 5P 8PT 19P M23 BK DUAL

PRODUCT CUSTOMER DRAWING

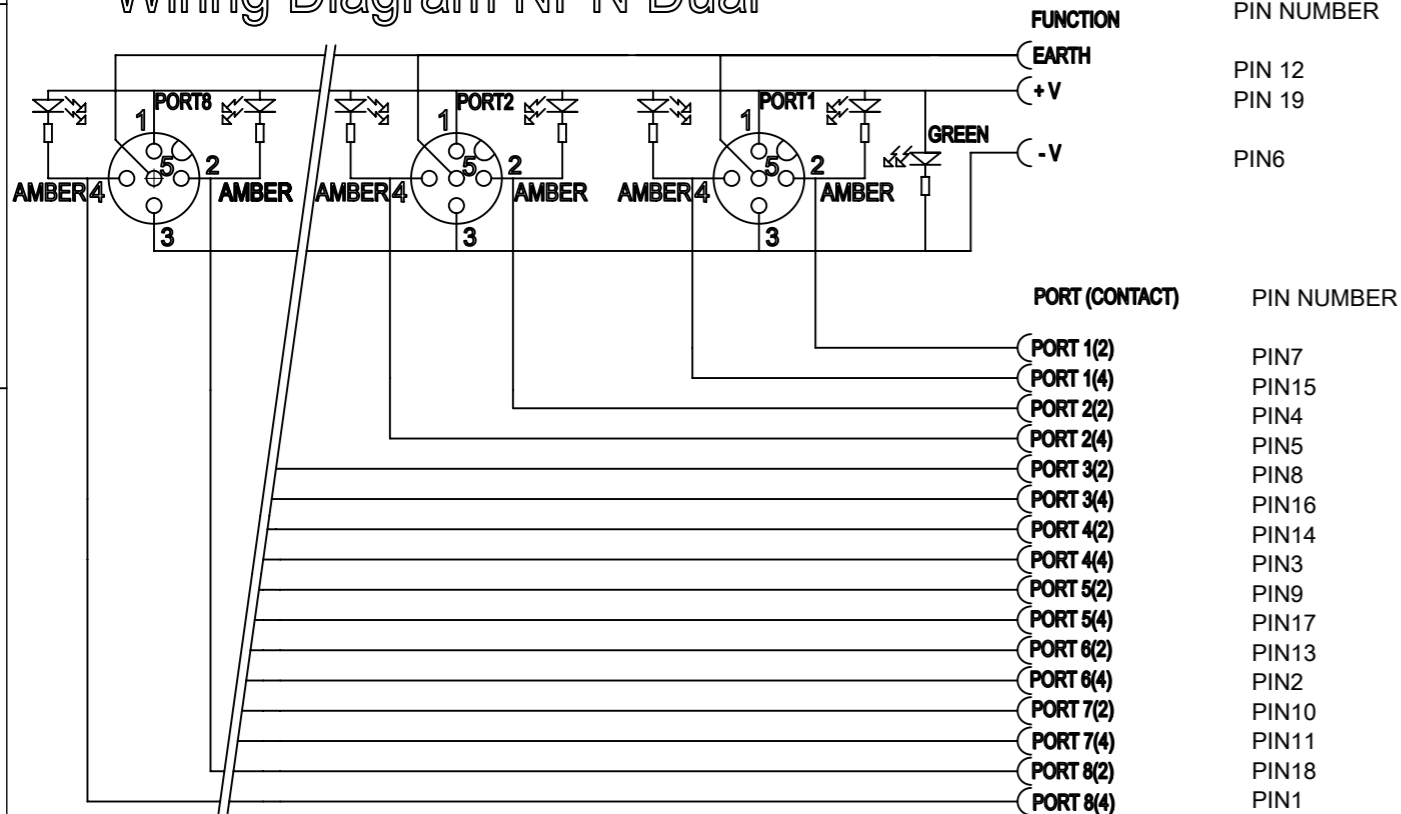
Wiring Diagram NON LED



Wiring Diagram PNP



Wiring Diagram NPN Dual



SYMBOLS	THIS DRAWING CONTAINS INFORMATION THAT IS PROPRIETARY TO MOLEX ELECTRONIC TECHNOLOGIES, LLC AND SHOULD NOT BE USED WITHOUT WRITTEN PERMISSION		CURRENT REV DESC: LASER PRINTING ADDED		molex
	DIMENSION UNITS	SCALE			
▽ = 0	mm		EC NO: 172073		PRODUCT CUSTOMER DRAWING
▽ = 0	GENERAL TOLERANCES (UNLESS SPECIFIED)		DRWN: BBRAUCH	2018/01/31	
▽ = 0	ANGULAR TOL ± °		CHK'D: ULETTENMEIER	2018/02/08	
▽ = 0	4 PLACES ±		APPR: RSILLER	2018/02/09	DOCUMENT NUMBER: 1202480065
▽ = 0	3 PLACES ±		INITIAL REVISION:		
▽ = 0	2 PLACES ±		DRWN: AAHLERS	2015/04/02	DOC PART: 000
▽ = 0	1 PLACE ±		APPR: JALEXANDER	2015/05/20	REVISION: A5
▽ = 0	0 PLACES ± 0.25		THIRD ANGLE PROJECTION		MATERIAL NUMBER: SEE TABLE 1
▽ = 0	DRAFT WHERE APPLICABLE MUST REMAIN WITHIN DIMENSIONS		DRAWING: A3-SIZE	SERIES: 120248	
▽ = 0					SHEET NUMBER: 2 OF 2