

Delta 19

2.4Ghz 19mm stubby WiFi / Bluetooth Antenna

Key Features

- Wireless LAN and Bluetooth frequencies
- Super Miniature Covert 19mm length
- SMA Male/SMA Male Reverse Polarity connector
- Groundplane Independent 5/8 wave design
- Wide operating temperature range



General Description

The Delta 19 is the smallest available, direct connect 2.4GHz stubby antenna at 19mm long including the connector.

The antenna is available with the SMA male and the Reverse polarity SMA male connectors. This range of compact 2.4GHz direct connect antennas are likely to be dominant in the stubby antenna market given their performance and size.

The Delta 19 is commonly used with WiFi, Bluetooth and Zigbee applications.

The antenna is ideally suited for covert situations where limiting antenna size is a critical consideration.

Additional Considerations

- Ensures antenna can be discretely mounted
- Does not rely on mounting on metallic surface
- WiFi, Bluetooth and ZigBee compatible
- Direct device connection
- Omnidirectional radiation

Delta 19

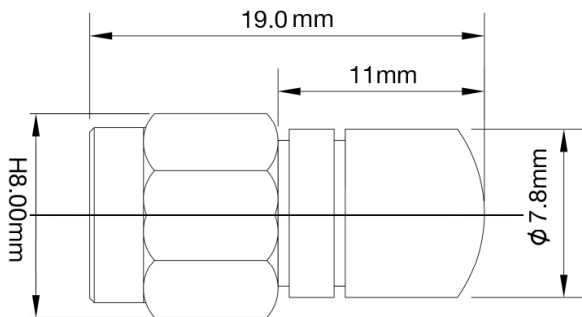
2.4Ghz 19mm stubby WiFi / Bluetooth Antenna

Electrical Specifications

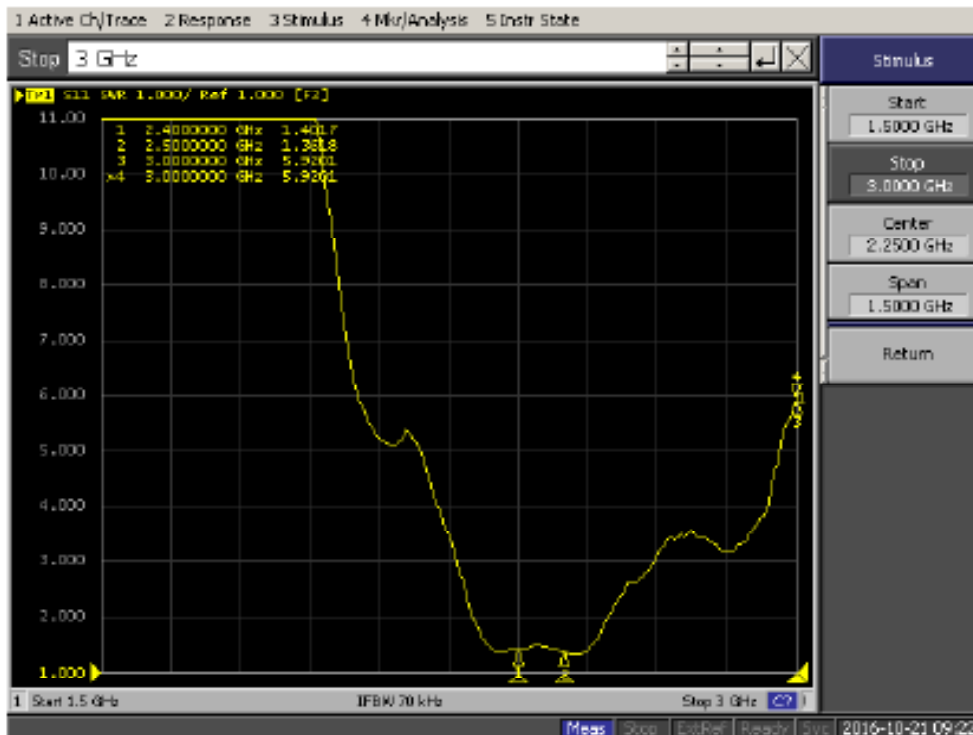
Impedance:	50 Ohm
Gain:	0dBi
VSWR:	<2
Frequency:	2.4- 2.5GHz
Electric wave:	5/8 monopole antenna

Mechanical Specifications

Dimensions:	L19 x 7.8mmØ
Operating Temperature:	-25 - +75°C
Connector:	SMA Male Reverse Polarity
Mounting Method:	Direct Connect



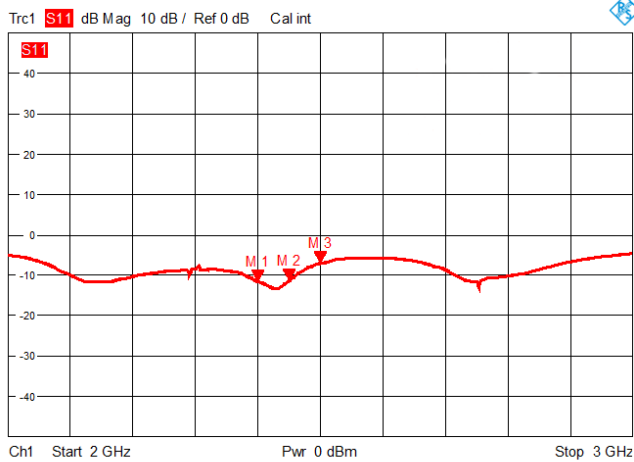
VSWR



Delta 19

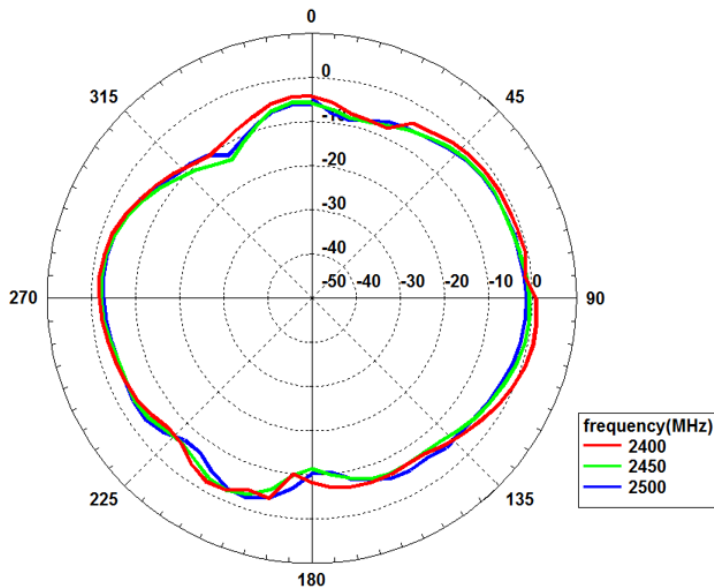
2.4GHz 19mm stubby WiFi / Bluetooth Antenna

Return Loss



M1: 2.4 GHz 11.512 dB
 M2: 2.45 GHz 11.375 dB
 M3: 2.5 GHz 7.000 dB

Radiation Patterns



Ordering Details

Part Number	Description
DELTA19/X/SMAM/RP/S/35	2.4GHz 19mm stubby WiFi/Bluetooth antenna, SMA male reverse polarity connector