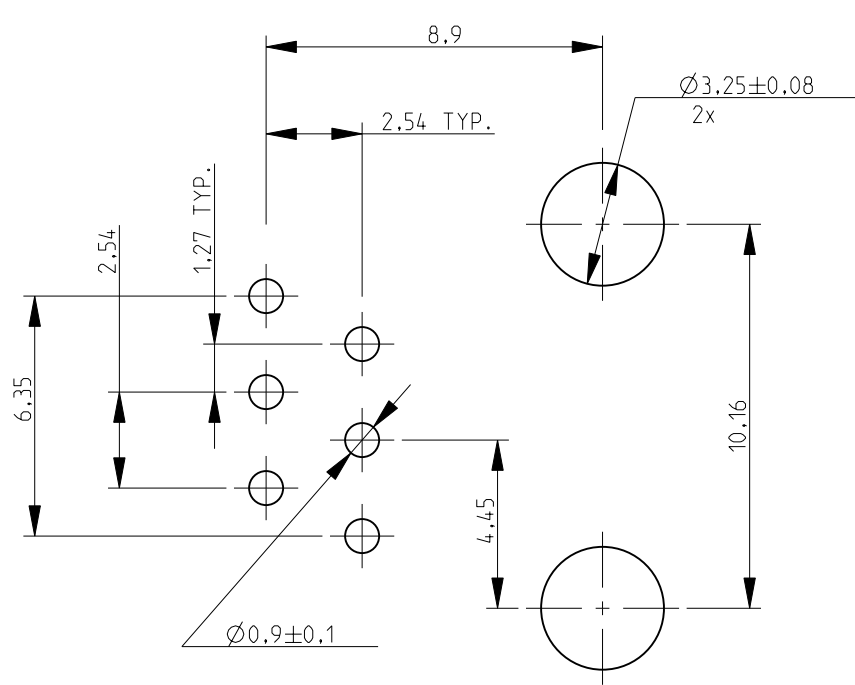
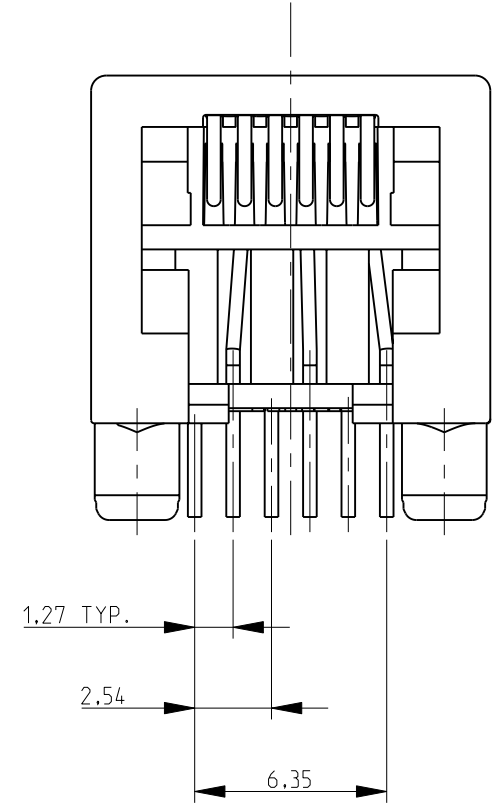
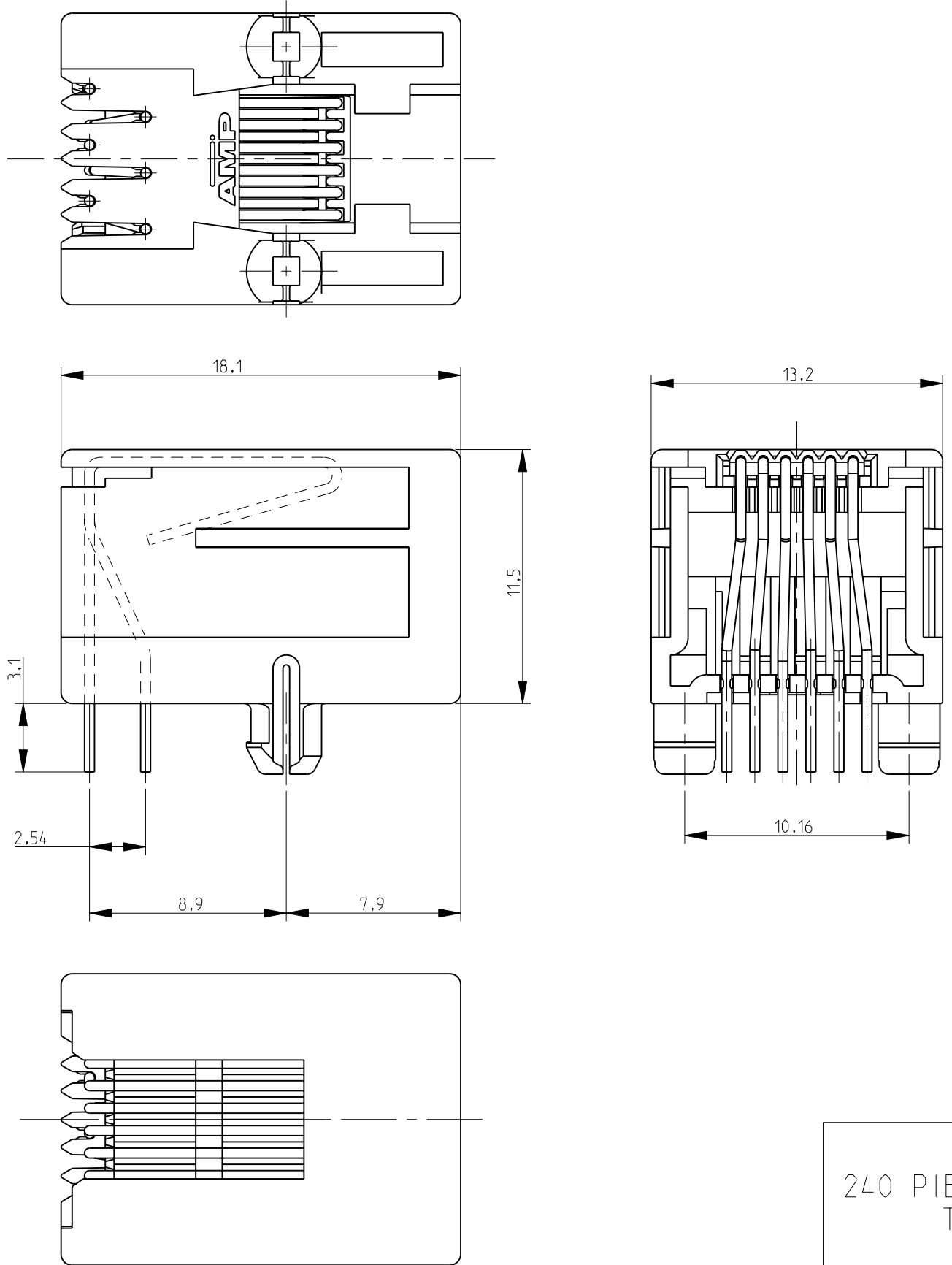


THIS DRAWING IS UNPUBLISHED. RELEASED FOR PUBLICATION 2000
 © COPYRIGHT 2000 ALL RIGHTS RESERVED.

LOC	DIST	REVISIONS					
		P	LTR	DESCRIPTION	DATE	DWN	APVD
IR	-	C		ECR-09-021454	29-09-09	PS	PCH
		C1		TE LOGO UPDATE	28APR11	RK	HMR
		C2		DURABILITY CYCLE UPDATED AFTER TESTING	26AUG11	PS	RRP
		-		-	-	-	-

- 1 SEE SHEET 2 FOR MODULAR JACK 6 POS./4 CONTACTS
- 2 FOR APPLICATION INFORMATION SEE SPEC. 114-19019.
- 3 TOLERANCES UNLESS OTHERWISE SPECIFIED: ± 0.15mm.
- 4 DURABILITY IS 200 CYCLES MAX ACCORDING TO TEST REPORT 502-19807 THIS WILL TAKE PRECEDENCE OVER THE PRODUCT SPECIFICATION.



PRINTED CIRCUIT BOARD LAYOUT (6 POS./6 CONTACTS)

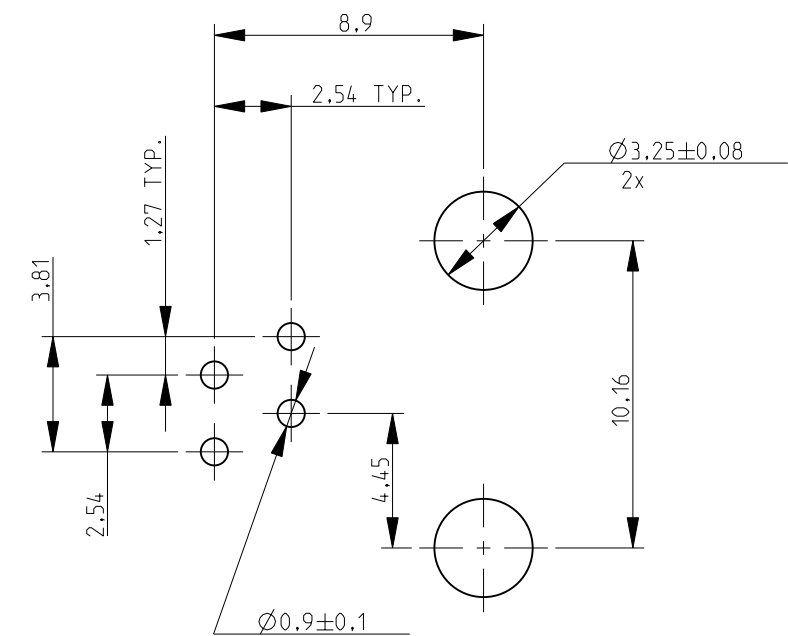
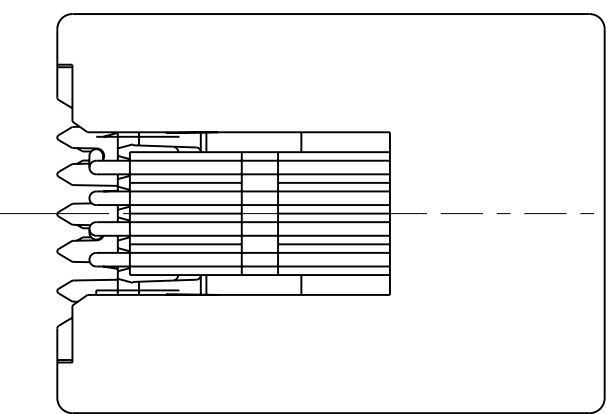
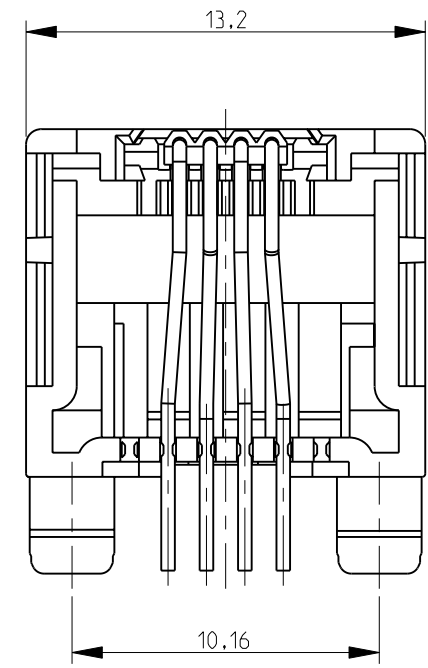
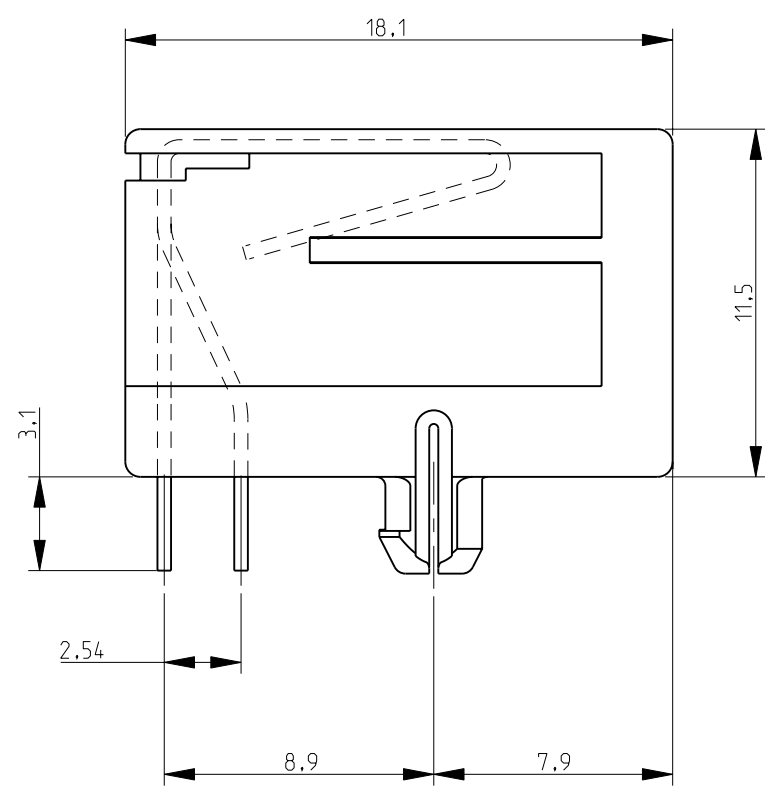
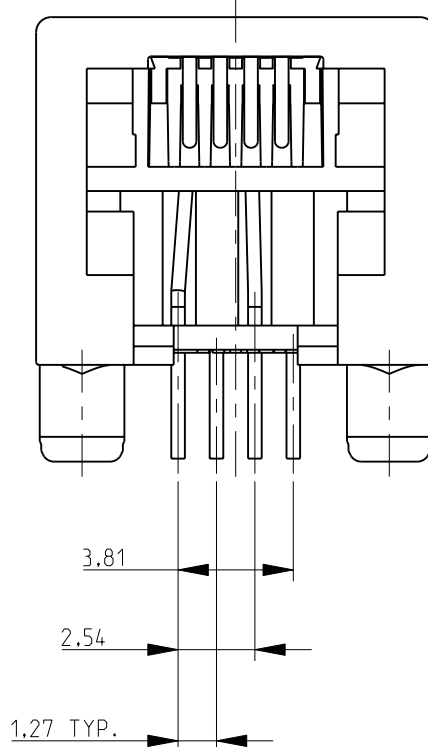
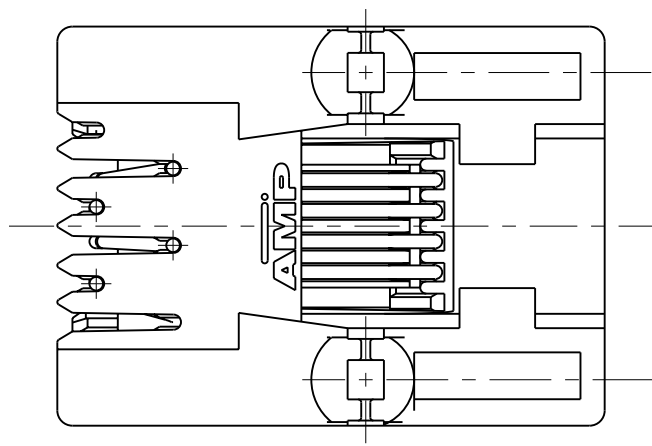
(VIEW SHOWN IS CIRCUIT (NONCOMPONENT) SIDE OF BOARD)
 PRINTED CIRCUIT BOARD THICKNESS: 1.6 mm NOMINAL.
 TOLERANCES UNLESS OTHERWISE SPECIFIED: ± 0.05

240 PIECES IN A TRAY	6 POS./6 CONTACTS.	IN CONTACT AREA: 0.15 µm MIN. SEL. GOLD OVER 1.2 µm MIN. NICKEL.	HOUSING COLOR BLACK PBT, UL 94 V-0	1-1705950-1
TAPE MOUNTED 800 PCS/REEL		SOLDER TINES: 2.5 µm MIN. TIN OVER 1.2 µm MIN. NICKEL.	CONTACT INSERT: PBT, UL 94 V-0	1705950-1
PACKAGING	REMARKS	FINISH	MATERIAL	P/N

THIS DRAWING IS A CONTROLLED DOCUMENT.		DWN J.V.D.HEIJDEN 14FEB05	TE Connectivity	
		CHK P.WILLEMS 14FEB05		
		APVD J.BROEKSTEEG 14FEB05	NAME MODULAR JACK, SIDE ENTRY, 6/6 FOR PRINTED CIRCUIT BOARD	
DIMENSIONS: mm		PRODUCT SPEC 108-19064	SIZE A2	CAGE CODE
TOLERANCES UNLESS OTHERWISE SPECIFIED:		APPLICATION SPEC 114-19019	DRAWING NO C-1705950	RESTRICTED TO
0 PLC ±		WEIGHT -	SCALE 4:1	SHEET 1 OF 2
1 PLC ±0.1		CUSTOMER DRAWING	REV C2	
2 PLC ±0.01				
3 PLC ±0.001				
4 PLC ±0.0001				
ANGLES ±				
FINISH -				

THIS DRAWING IS UNPUBLISHED. RELEASED FOR PUBLICATION 2000
 © COPYRIGHT 2000 ALL RIGHTS RESERVED.

LOC	DIST	REVISIONS			
P	LTR	DESCRIPTION	DATE	DWN	APVD
IR	-	SEE SHEET 1	-	-	-



PRINTED CIRCUIT BOARD LAYOUT (6 POS./4 CONTACT)

[VIEW SHOWN IS CIRCUIT (NONCOMPONENT) SIDE OF BOARD]
 PRINTED CIRCUIT BOARD THICKNESS: 1.6 mm NOMINAL.
 TOLERANCES UNLESS OTHERWISE SPECIFIED: ± 0.05.

- SEE SHEET 1 FOR MODULAR JACK 6 POS./6 CONTACTS.
- FOR APPLICATION INFORMATION SEE SPEC. 114-19019.
- TOLERANCES UNLESS OTHERWISE SPECIFIED: ±0.15.
- OBSOLETE
- DURABILITY IS 200 CYCLES MAX ACCORDING TO TEST REPORT 502-19807 THIS WILL TAKE PRECEDENCE OVER THE PRODUCT SPECIFICATION.

PACKAGING	REMARKS	FINISH	MATERIAL	P/N
TAPE MOUNTED 800 PCS/REEL	6POS/ 4 CONTACTS	IN CONTACT AREA: 0,15 µm MIN. SEL. GOLD OVER 1,2 µm MIN. NICKEL SOLDER TINES: 2,5 µm MIN. TIN OVER 1,2 µm MIN. NICKEL	HOUSING COLOR YELLOW: PBT, UL 94 V-0 CONTACT INSERT: PBT, UL 94 V-0 CONTACTS: Ph-BRONZE	1-1705950-3
240 PIECES IN A TRAY			HOUSING COLOR BLACK: PBT, UL 94 V-0 CONTACT INSERT: PBT, UL 94 V-0 CONTACTS: Ph-BRONZE	1-1705950-2
TAPE MOUNTED 800 PCS/REEL			HOUSING COLOR GREY: PBT, UL 94 V-0 CONTACT INSERT: PBT, UL 94 V-0 CONTACTS: Ph-BRONZE	1705950-2
TAPE MOUNTED 800 PCS/REEL			HOUSING COLOR GREEN: PBT, UL 94 V-0 CONTACT INSERT: PBT, UL 94 V-0 CONTACTS: Ph-BRONZE	1705950-5
TAPE MOUNTED 800 PCS/REEL			HOUSING COLOR GREY: PBT, UL 94 V-0 CONTACT INSERT: PBT, UL 94 V-0 CONTACTS: Ph-BRONZE	1705950-4

THIS DRAWING IS A CONTROLLED DOCUMENT.		DWN J.V.D.HEIJDEN 14FEB05	TE Connectivity	
DIMENSIONS: mm		CHK P.WILLEMSEN 14FEB05		
TOLERANCES UNLESS OTHERWISE SPECIFIED:		APVD J.BROEKSTEEG 14FEB05	NAME MODULAR JACK, SIDE ENTRY, 6/6 FOR PRINTED CIRCUIT BOARD	
0 PLC ±		PRODUCT SPEC 108-19064	SIZE A2	
1 PLC ±0.1		APPLICATION SPEC 114-19019	CAGE CODE C=1705950	
2 PLC ±0.01		WEIGHT -	DRAWING NO -	
3 PLC ±0.001		MATERIAL -	RESTRICTED TO -	
4 PLC ±0.0001			SCALE 4:1	
ANGLES ±		SHEET 2 OF 2		
FINISH -		REV. C2		
CUSTOMER DRAWING				