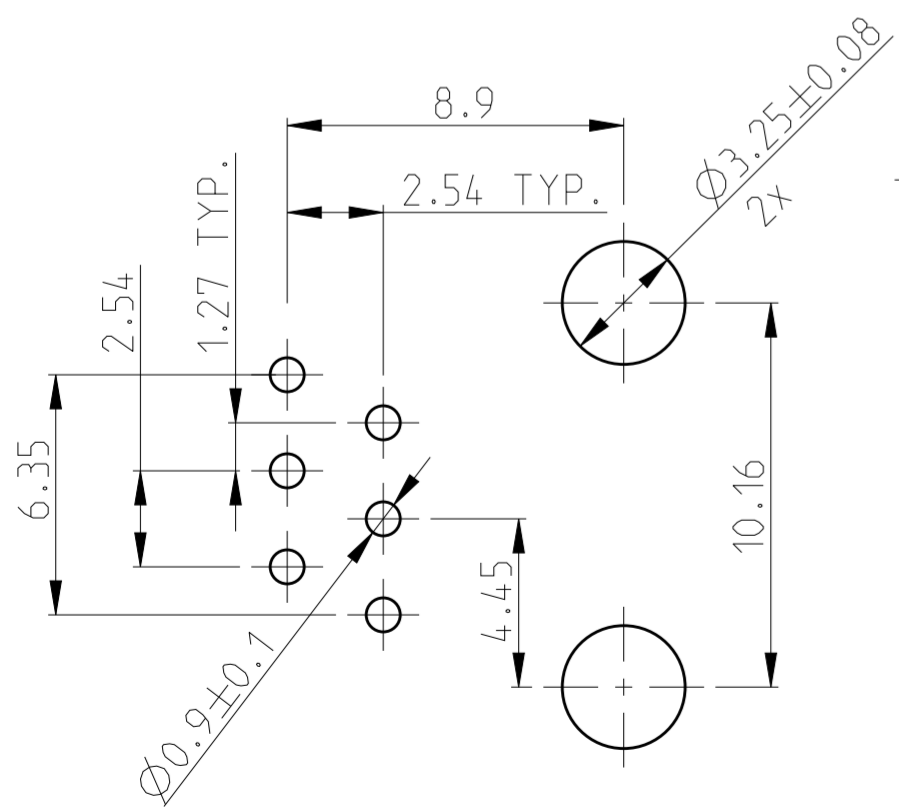
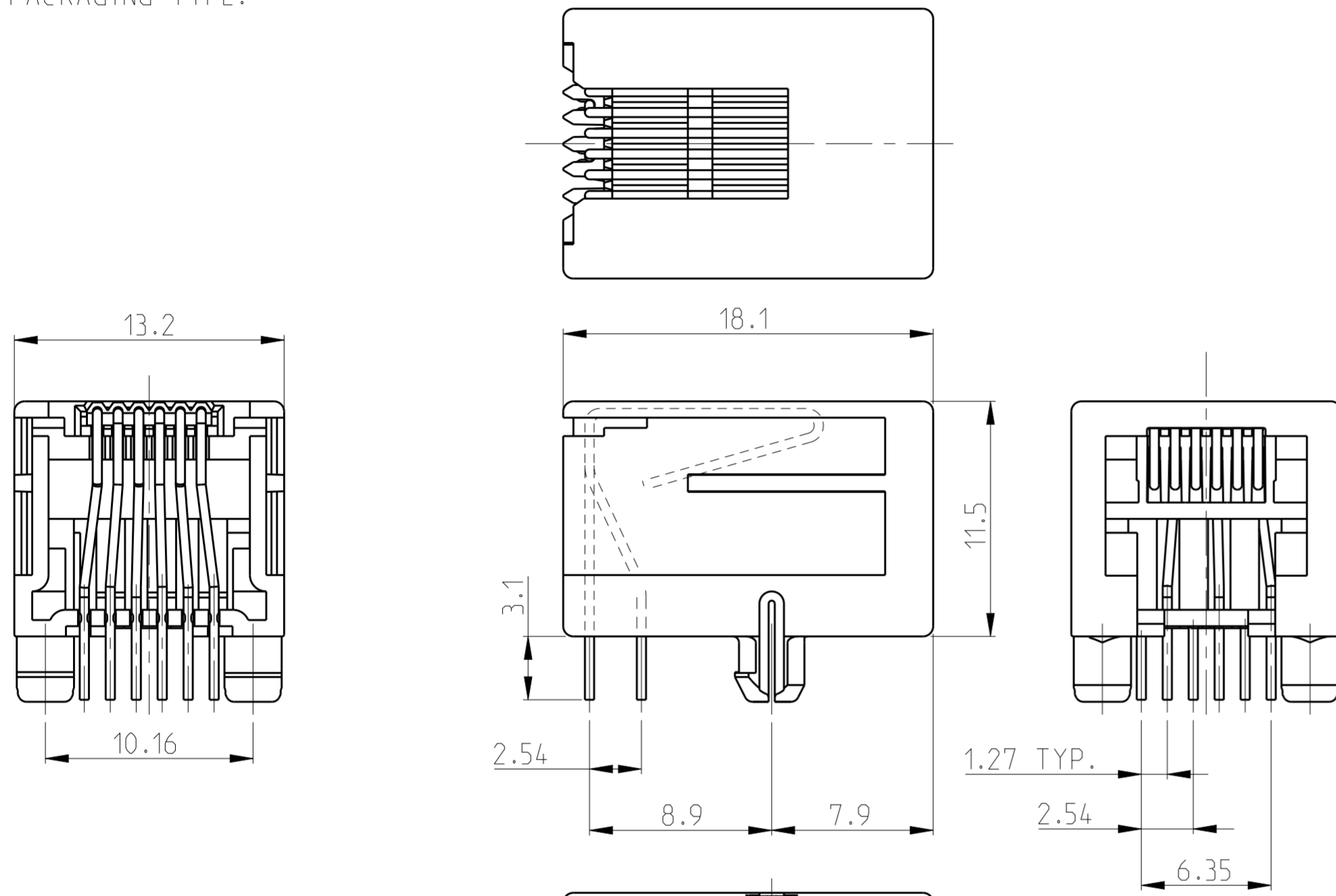
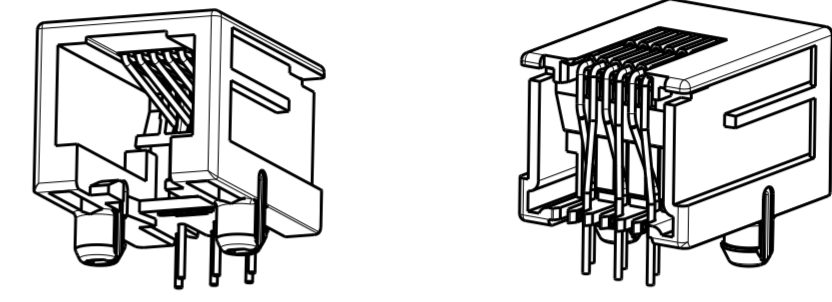


THIS DRAWING IS UNPUBLISHED. RELEASED FOR PUBLICATION 2000
 © COPYRIGHT 2000 ALL RIGHTS RESERVED.

LOC	DIST	REVISIONS					
		P	LTR	DESCRIPTION	DATE	DWN	APVD
IR	-		AA	ECR-10-020218	28DEC2010	PS	RRP
			AA1	ECR-10-026537	08AUG11	KK	HMR
			AA2	ECR-13-013525	29AUG2013	CW	SH



- SEE SHEET 2 FOR MODULAR JACK 6 POS./4 CONTACTS
- FOR APPLICATION INFORMATION SEE SPEC. 114-19019.
- FOR PERFORMANCE REQUIREMENTS SEE SPEC. 108-19064.
- TOLERANCES UNLESS OTHERWISE SPECIFIED: $\pm 0,15\text{mm}$.

 TRUE POSITIONING WILL NOT BE GUARANTEED USING THIS PACKAGING TYPE.




PRINTED CIRCUIT BOARD LAYOUT (6 POS./6 CONTACTS)

[VIEW SHOWN IS CIRCUIT (NON-COMPONENT) SIDE OF BOARD]
 PRINTED CIRCUIT BOARD THICKNESS: 1,6mm NOMINAL.
 TOLERANCES UNLESS OTHERWISE SPECIFIED: $\pm 0,05$

PACKAGING	REMARKS	FINISH	MATERIAL	P/N
TAPE MOUNTED 800 PCS/REEL			HOUSING COLOR BLACK	2-215876-3
BULK PACKED 1000 PCS IN A BOX 			HOUSING AND CONTACT INSERT: UL 94-V0	2-215876-1
240 PIECES IN A TRAY	6 POS./ 6 CONTACTS	OVERALL: Ni 1.27 μm MIN. ALL OVER THE CONTACTS	HOUSING PA 4.6 CONTACT INSERT: PCT	OBSOLETE 2-215876-0
BULK PACKED 1000 PCS IN A BOX 		SOLDER ZONE: Sn 2.5 μm MIN. ON THE SOLDER ZONE OF THE CONTACT		3-215876-1
240 PIECES IN A TRAY		MATING ZONE: PLATING CONFIRMS TO PRODUCT REQUIREMENTS AS PER SPECIFICATION 108-19064	HOUSING COLOR BLACK PBT, UL 94 V-0	1-215876-3
108 PCS IN A MULTI-TUBE	SUPERSEDED BY 1-215876-3		CONTACT INSERT: PBT, UL 94 V-0	1-215876-4
TAPE MOUNTED 800 PCS/REEL	6 POS./ 6 CONTACTS		CONTACTS: PH-BRONZE	215876-1

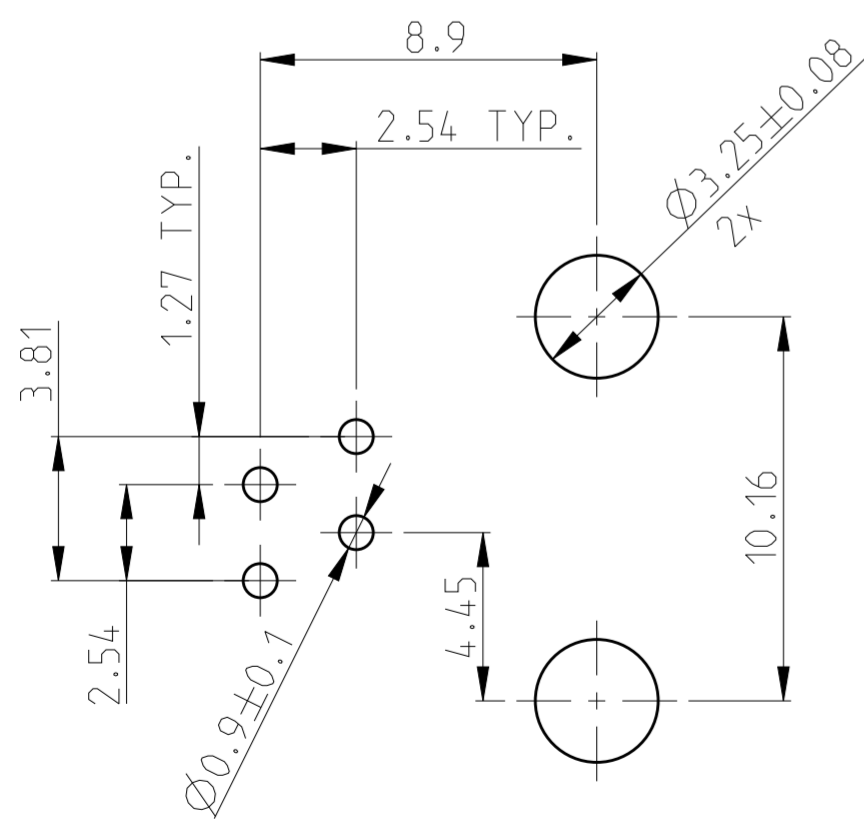
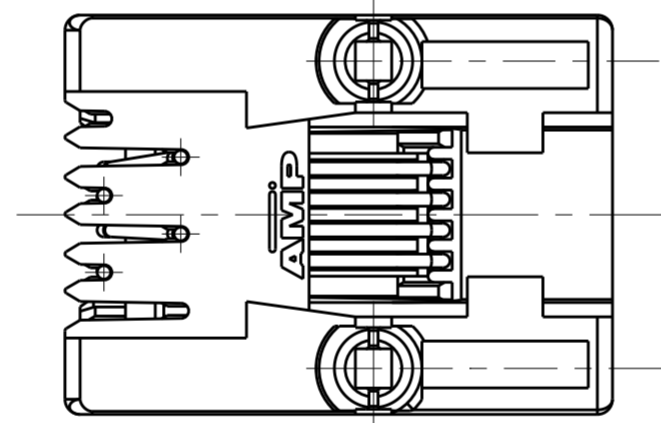
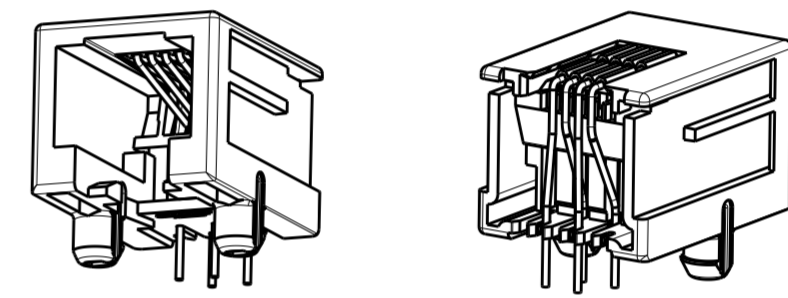
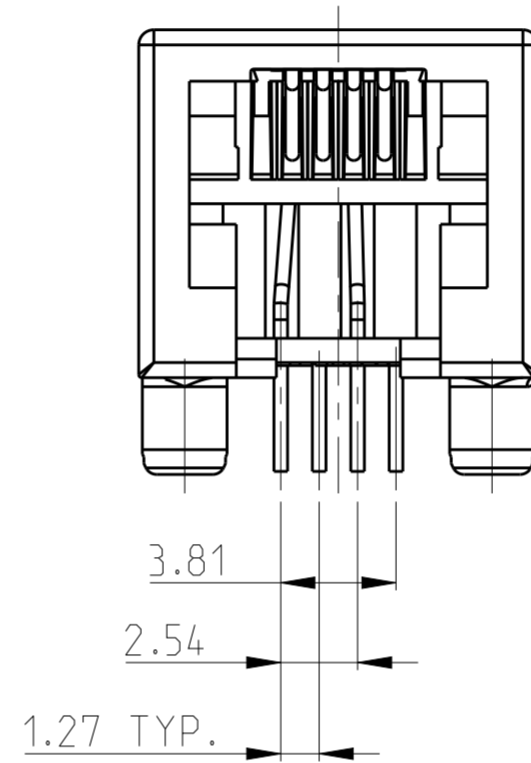
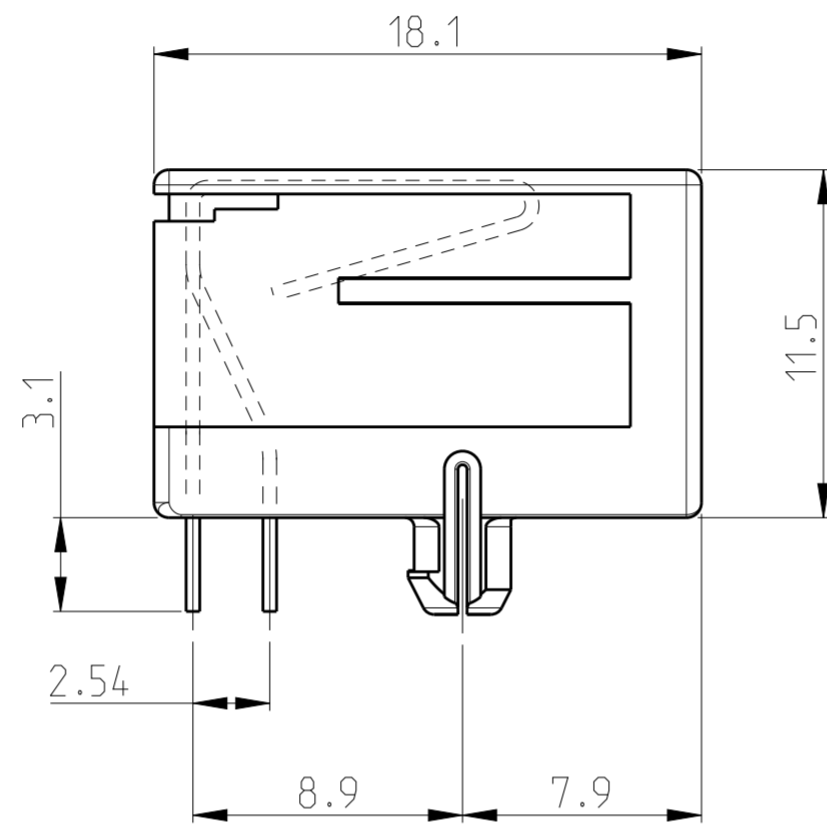
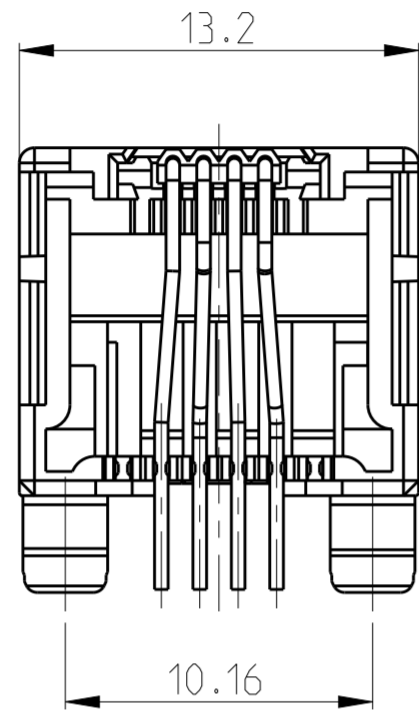
THIS DRAWING IS A CONTROLLED DOCUMENT.

DWN G.CONSTANT 24 SEP 96	 TE Connectivity NAME MODULAR JACK, SIDE ENTRY, 6/6 FOR PRINTED CIRCUIT BOARD				
CHK G.CONSTANT 24 SEP 96					
APVD R.SMEETS					
PRODUCT SPEC 108-19064					
MATERIAL	SIZE A2	CAGE CODE C-215876	DRAWING NO. -	RESTRICTED TO -	
DIMENSIONS: mm	TOLERANCES UNLESS OTHERWISE SPECIFIED: 0 PLC \pm 1 PLC \pm 2 PLC \pm 3 PLC \pm 4 PLC \pm ANGLES \pm FINISH -	APPLICATION SPEC 114-19019	SCALE 4:1	SHEET 1 OF 4	REVISION AA2
CUSTOMER DRAWING					

THIS DRAWING IS UNPUBLISHED. RELEASED FOR PUBLICATION 2000
 © COPYRIGHT 2000 ALL RIGHTS RESERVED.

LOC	DIST	REVISIONS			
P	LTR	DESCRIPTION	DATE	DWN	APVD
-	-	SEE SHEET 1	-	-	-

- 1 SEE SHEET 1 FOR MODULAR JACK 6 POS./6 CONTACTS.
- 2 FOR APPLICATION INFORMATION SEE SPEC. 114-19019.
- 3 FOR PERFORMANCE REQUIREMENT SEE SPEC. 108-19064.
- 4 TOLERANCES UNLESS OTHERWISE SPECIFIED: ±0.15.



PRINTED CIRCUIT BOARD LAYOUT (6 POS./4 CONTACT)

[VIEW SHOWN IS CIRCUIT (NON-COMPONENT) SIDE OF BOARD]
 PRINTED CIRCUIT BOARD THICKNESS: 1.6mm NOMINAL.
 TOLERANCES UNLESS OTHERWISE SPECIFIED: ± 0.05.

240 PIECES IN A TRAY	6 POS./ 4 CONTACTS	SAME AS 215876-2	SAME AS 215876-2	3-215876-2
TAPE MOUNTED 800 PCS/REEL	6 POS./ 4 CONTACTS	OVERALL: Ni 1.27 µm MIN. ALL OVER THE CONTACTS SOLDER ZONE: Sn 2.5 µm MIN. ON THE SOLDER ZONE OF THE CONTACT MATING ZONE: PLATING CONFIRMS TO PRODUCT REQUIREMENTS AS PER SPECIFICATION 108-19064	HOUSING COLOR BLACK: PBT, UL 94 V-0 CONTACT INSERT: PBT, UL 94 V-0 CONTACTS: Ph-BRONZE	215876-2
PACKAGING	REMARKS	FINISH	MATERIAL	P/N
	SUPERSEDED BY 215876-2			1-215876-2

THIS DRAWING IS A CONTROLLED DOCUMENT.

DIMENSIONS: mm	TOLERANCES UNLESS OTHERWISE SPECIFIED:	DWN G.CONSTANT 24 SEP 96	CHK G.CONSTANT 24 SEP 96	APVD R.SMEETS	NAME
0 PLC ±	1 PLC ±	PRODUCT SPEC	108-19064	APPLICATION SPEC	114-19019
2 PLC ±	3 PLC ±	WEIGHT	-	CUSTOMER DRAWING	SCALE 4:1 SHEET 2 OF 4 REX AA2
4 PLC ±	ANGLES ±				
FINISH					

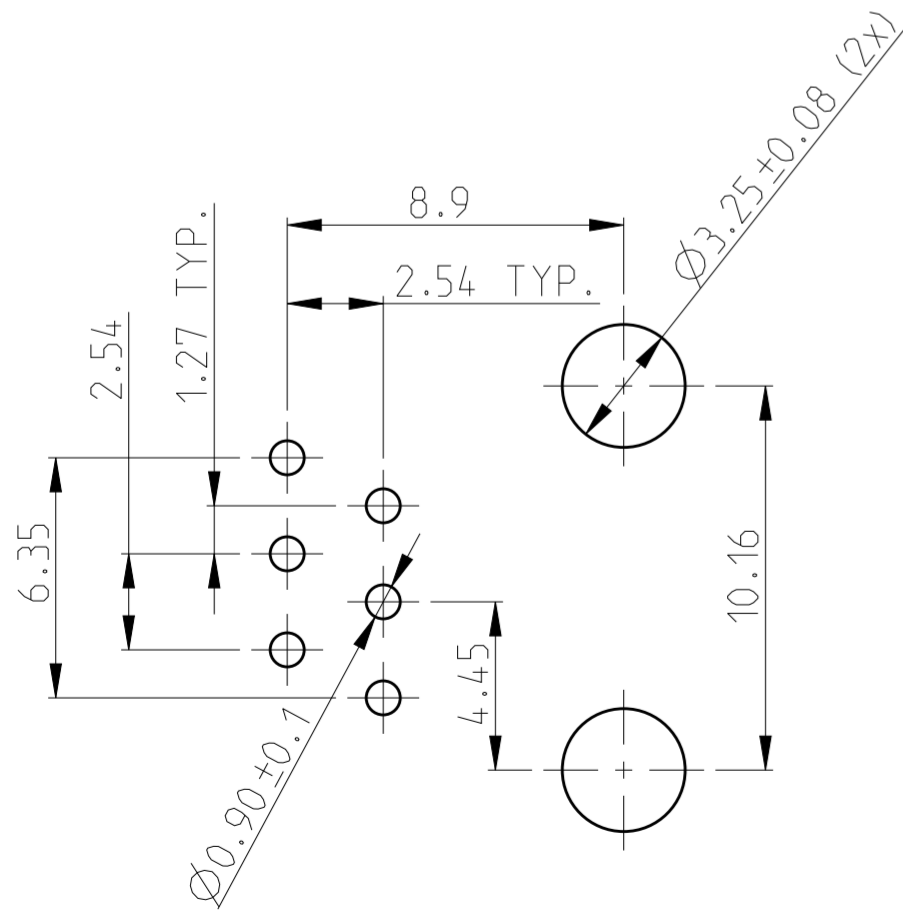
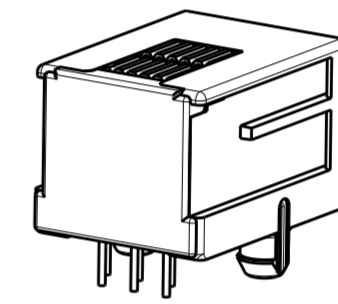
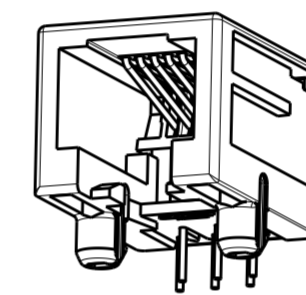
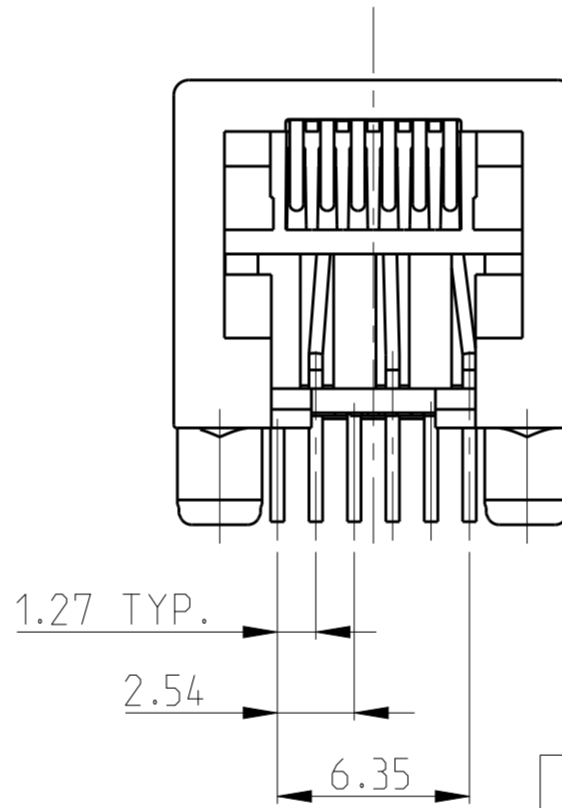
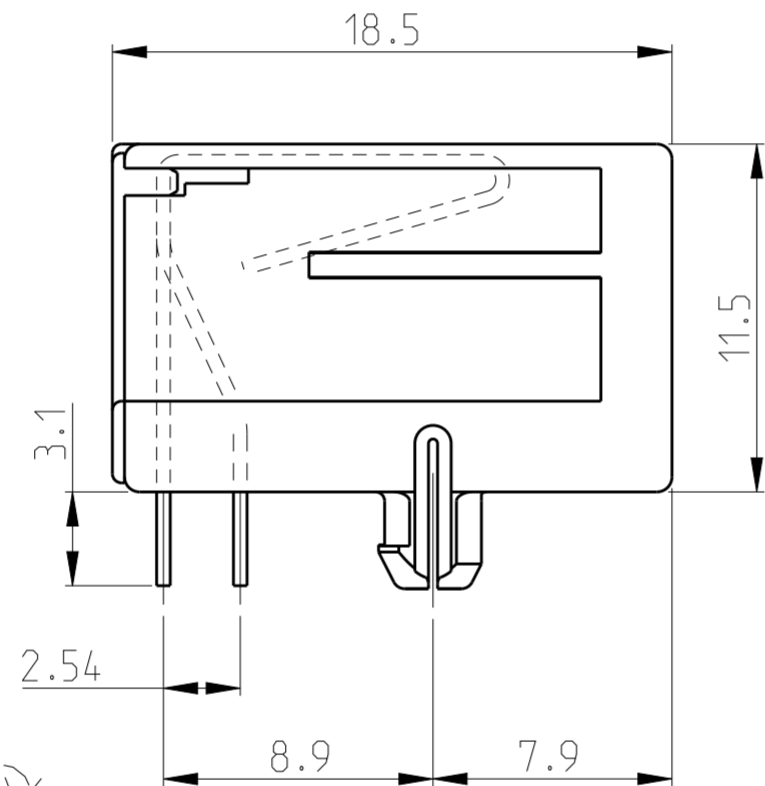
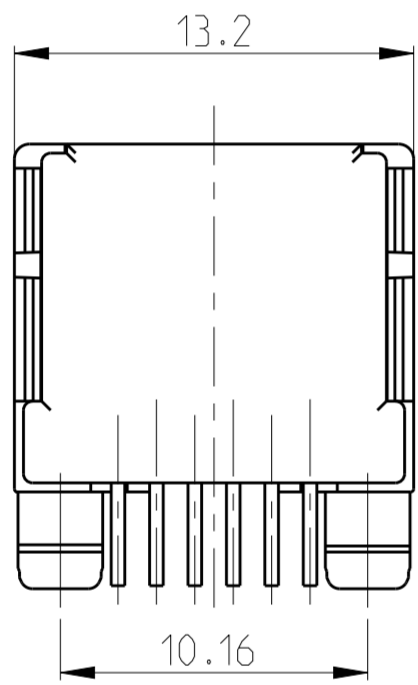
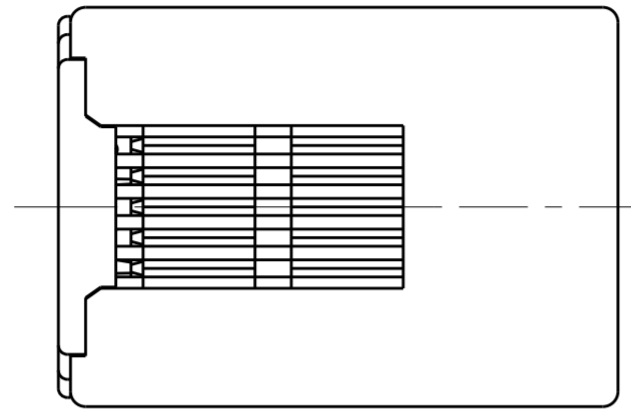
STE TE Connectivity
 MODULAR JACK, SIDE ENTRY, 6/4 FOR PRINTED CIRCUIT BOARD

THIS DRAWING IS UNPUBLISHED. RELEASED FOR PUBLICATION 2000
 © COPYRIGHT 2000 ALL RIGHTS RESERVED.

LOC	DIST	REVISIONS			
P	LTR	DESCRIPTION	DATE	DWN	APVD
IR	-	SEE SHEET 1	-	-	-
-	-	-	-	-	-

- SEE SHEET 4 FOR MODULAR JACK 6 POS./4 CONTACTS WITH CONTACT COVER.
- FOR APPLICATION INFORMATION SEE SPEC. 114-19019.
- FOR PERFORMANCE REQUIREMENTS SEE SPEC. 108-19064.
- TOLERANCES UNLESS OTHERWISE SPECIFIED: $\pm 0,15\text{mm}$.

TRUE POSITIONING WILL NOT BE GUARANTEED USING THIS PACKAGING TYPE.



PRINTED CIRCUIT BOARD LAYOUT (6 POS./6 CONTACTS)

[VIEW SHOWN IS CIRCUIT (NON-COMPONENT) SIDE OF BOARD]
 PRINTED CIRCUIT BOARD THICKNESS: 1,6mm NOMINAL.
 TOLERANCES UNLESS OTHERWISE SPECIFIED: $\pm 0,05$

OBSOLETE

OBSOLETE

OBSOLETE

PACKAGING	REMARKS	FINISH	MATERIAL	P/N
BULK PACKED 1000 PCS IN A BOX			HOUSING COLOR BLACK PBT, UL94 V-0	5-215876-4
240 PIECES IN A TRAY	6 POS./ 6 CONTACTS	IN CONTACT AREA: 1,2 μm MIN. SEL. GOLD OVER 1,2 μm MIN. NICKEL	CONTACT INSERT: PBT, UL94 V-0	5-215876-3
TAPE MOUNTED 800 PCS/REEL		SOLDER TINES: 2,5 μm MIN. TIN OVER 1,2 μm MIN. NICKEL	CONTACT COVER: PBT, UL94 V-0	5-215876-1
			CONTACTS: PH-BRONZE	

THIS DRAWING IS A CONTROLLED DOCUMENT.

DIMENSIONS:	TOLERANCES UNLESS OTHERWISE SPECIFIED:
mm	
	0 PLC ±
	1 PLC ±
	2 PLC ±
	3 PLC ±
	4 PLC ±
MATERIAL	ANGLES ±
	FINISH -

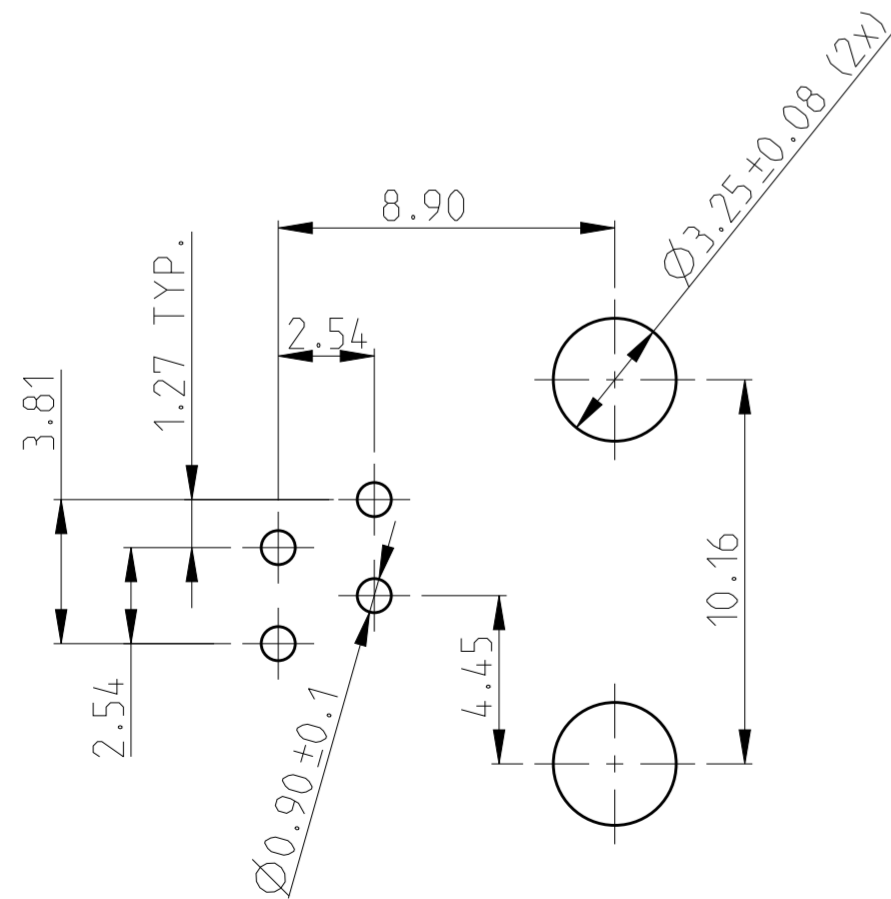
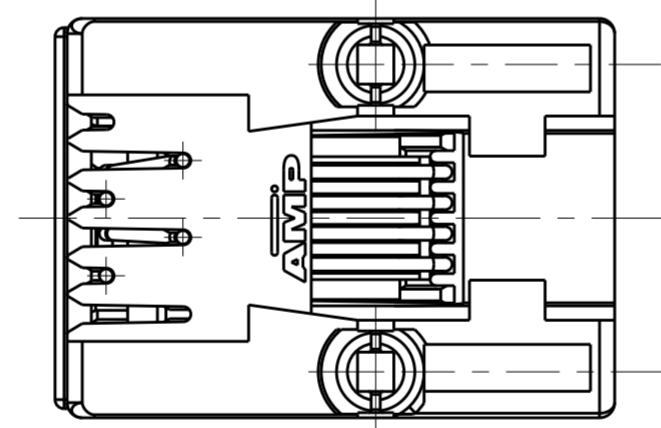
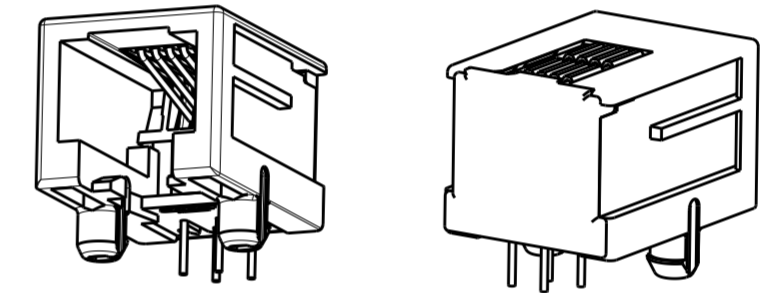
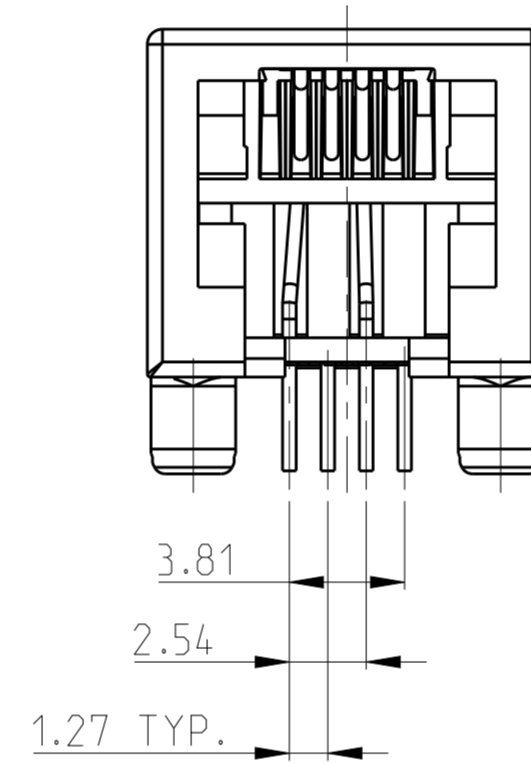
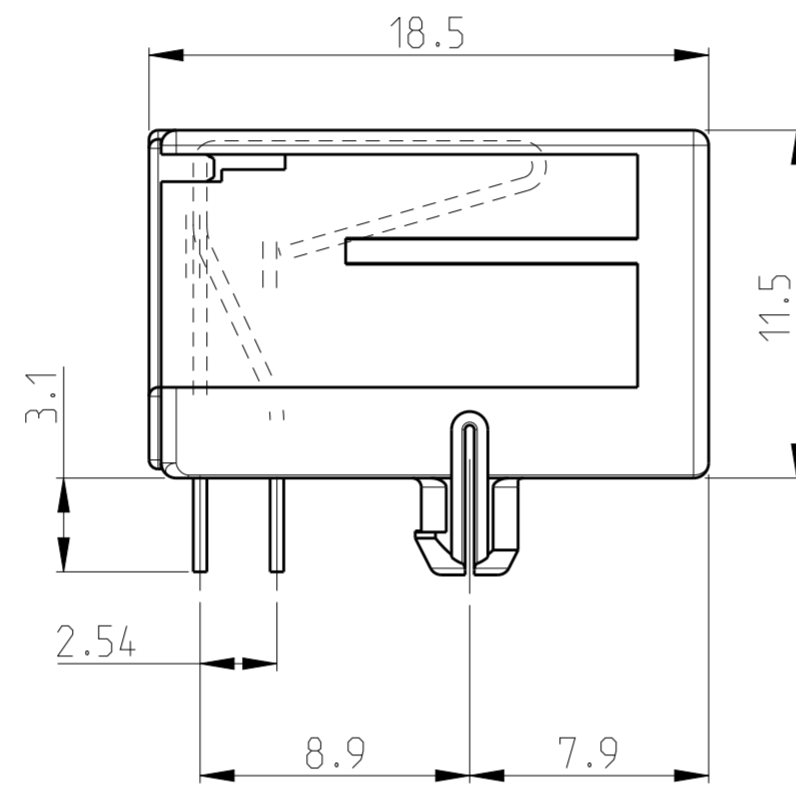
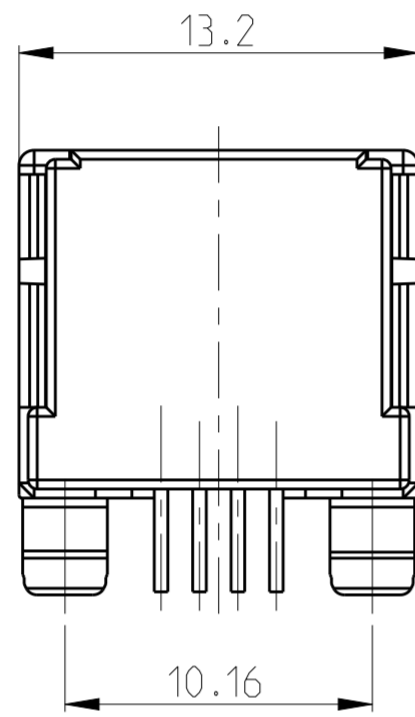
DWN	P. Willems	10-OCT-05
CHK	P. Willems	10-OCT-05
APVD	J. Broeksteeg	10-OCT-05
PRODUCT SPEC	108-19064	
APPLICATION SPEC	114-19019	
WEIGHT	-	
CUSTOMER DRAWING		

TE Connectivity			
NAME MODULAR JACK, SIDE ENTRY, 6/6 FOR PRINTED CIRCUIT BOARD WITH CONTACT COVER			
SIZE	CAGE CODE	DRAWING NO	RESTRICTED TO
A2		C-215876	-
SCALE 4:1		SHEET 3 OF 4	REV AA2

THIS DRAWING IS UNPUBLISHED. RELEASED FOR PUBLICATION 2000
 © COPYRIGHT 2000 ALL RIGHTS RESERVED.

LOC	DIST	REVISIONS			
P	LTR	DESCRIPTION	DATE	DWN	APVD
-	-	SEE SHEET 1	-	-	-

- 1 SEE SHEET 3 FOR MODULAR JACK 6 POS./6 CONTACTS WITH CONTACT COVER.
- 2 FOR APPLICATION INFORMATION SEE SPEC. 114-19019.
- 3 FOR PERFORMANCE REQUIREMENT SEE SPEC. 108-19064.
- 4 TOLERANCES UNLESS OTHERWISE SPECIFIED: $\pm 0,15$.



PRINTED CIRCUIT BOARD LAYOUT (6 POS./4 CONTACT)

[VIEW SHOWN IS CIRCUIT (NON-COMPONENT) SIDE OF BOARD]
 PRINTED CIRCUIT BOARD THICKNESS: 1,6mm NOMINAL.
 TOLERANCES UNLESS OTHERWISE SPECIFIED: $\pm 0,05$.

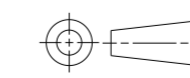
OBSOLETE

TAPE MOUNTED 800 PCS/REEL	6 POS./ 4 CONTACTS	IN CONTACT AREA: 1,2 μ m MIN. SEL. GOLD OVER 1,2 μ m MIN. NICKEL	HOUSING COLOR BLACK PBT, UL94 V-0	5-215876-2
		SOLDER TINES: 2,5 μ m MIN. TIN OVER 1,2 μ m MIN. NICKEL	CONTACT INSERT: PBT, UL94 V-0	
PACKAGING	REMARKS	FINISH	CONTACT COVER: PBT, UL94 V-0	
			CONTACTS: PH-BRONZE	
			MATERIAL	P/N

THIS DRAWING IS A CONTROLLED DOCUMENT.

DIMENSIONS:
mm

TOLERANCES UNLESS
OTHERWISE SPECIFIED:



MATERIAL

0 PLC \pm
1 PLC \pm
2 PLC \pm
3 PLC \pm
4 PLC \pm
ANGLES \pm
FINISH -

DWN P.Willems 10-OCT-05
CHK P.Willems 10-OCT-05
APVD J.Broeksteeg 10-OCT-05
PRODUCT SPEC 108-19064
APPLICATION SPEC 114-19019
WEIGHT -

STE TE Connectivity
 NAME MODULAR JACK, SIDE ENTRY, 6/4
 FOR PRINTED CIRCUIT BOARD
 WITH CONTACT COVER
 SIZE A2 CAGE CODE DRAWING NO. RESTRICTED TO
 G-215876

CUSTOMER DRAWING SCALE 4:1 SHEET 4 OF 4 REX AA2