

THIS DRAWING AND THE SUBJECT MATTER SHOWN THEREON ARE CONFIDENTIAL AND THE PROPERTY OF BEL/STEWART/TRP CONNECTOR AND SHALL NOT BE REPRODUCED, COPIED, OR USED IN ANY MANNER WITHOUT THE WRITTEN CONSENT OF TRP CONNECTOR.

PRODUCT MAY BE PROTECTED BY ONE OR MORE OF THE FOLLOWING US PATENTS:
 5736910 5939955 6425781 6429361 6554638 6840817 7123117
 7429195 7717749 7808751 6217391 6149050 7924130

REVISONS

REV	DESCRIPTION	DATE	BY	APPD
1	INITIAL RELEASE	25SEP2017	JY	TY

1. MATERIALS:
- HOUSING: THERMOPLASTIC FLAMMABILITY, RATING, UL 94V-0
 - SHIELD: STAINLESS-STEEL 0.15mm THICK, PREPLATED WITH 0.76 um MIN SEMI-BRIGHT NICKEL; SOLDER TABS POST PREPLATED WITH 3um TIN.
 - MOD JACK CONTACTS: 0.3mm THICK PHOSPHOR BRONZE.
 - 1.27um MIN OVERALL NICKEL UNDERPLATE, WITH 1.27um MIN LOCALIZED GOLD PLATE AT PLUG INTERFACE;
 - LIGHT EMITTING DIODE (LED): DIFFUSED EPOXY LENS, 0.5mm X 0.5mm CARBON STEEL WIREFRAME LEADS PREPLATED WITH 2.03um MIN SILVER PLATE OVER 1.02um MIN NICKEL OVER 1.02um MIN COPPER UNDERPLATE; LEADS POST-PLATED WITH 3.05um MIN MATTE TIN.

2. RJ45 JACK CAVITY CONFORMS TO FCC RULES AND REGULATIONS PART 68, SUB-PART F.

3. MAGNETICS:

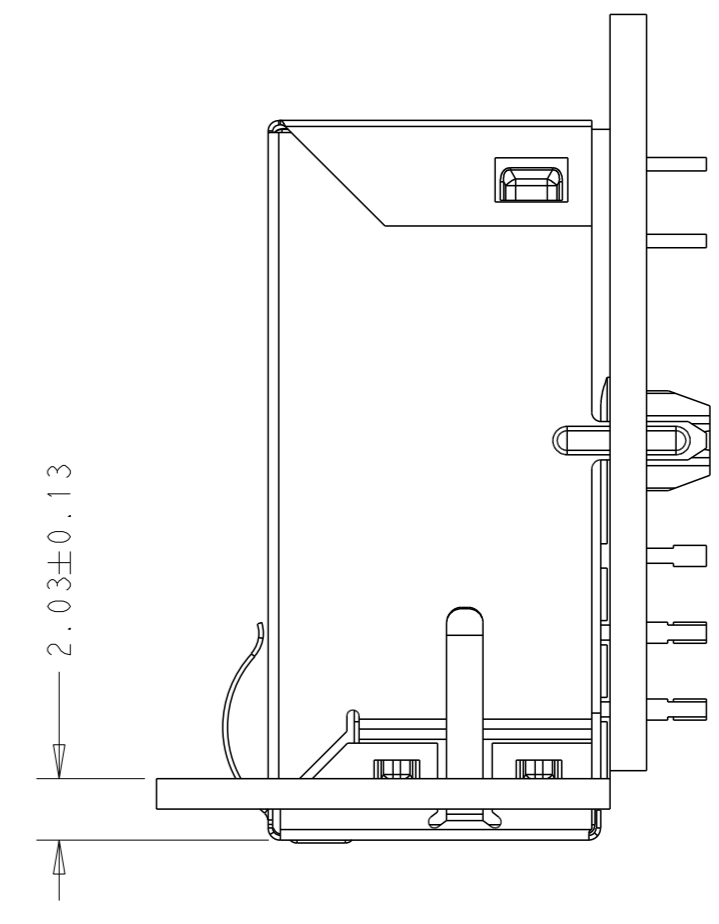
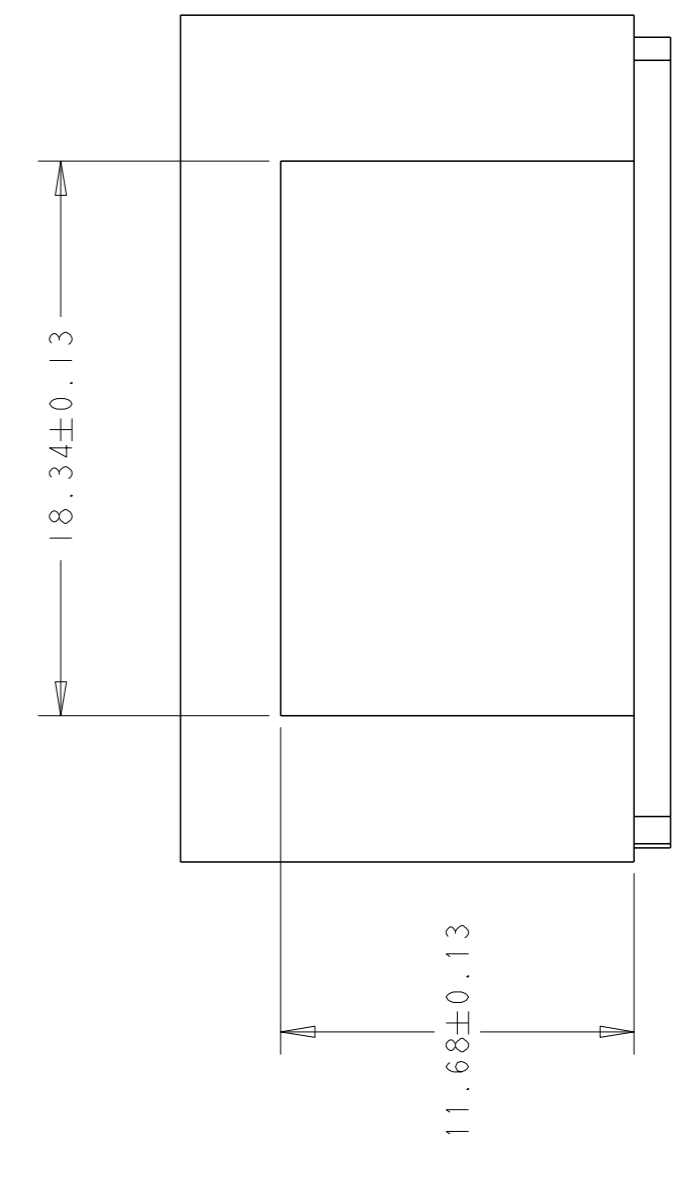
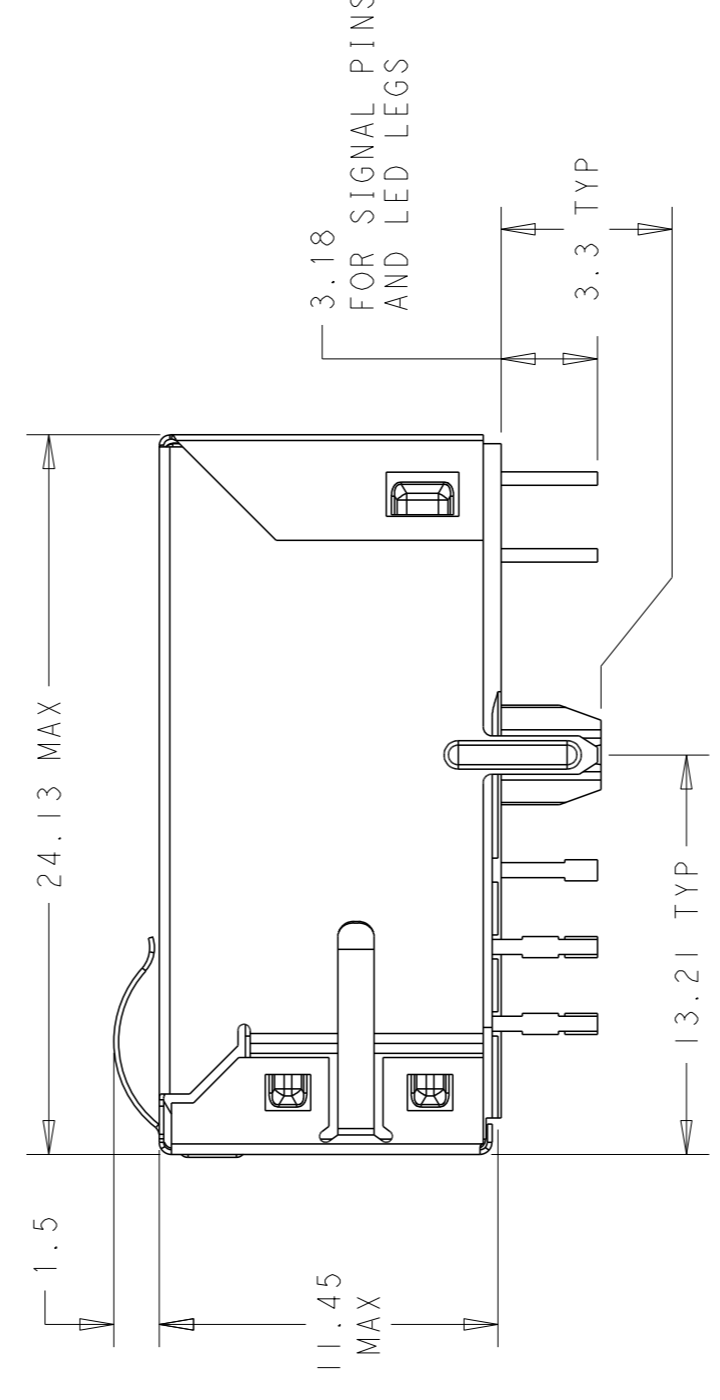
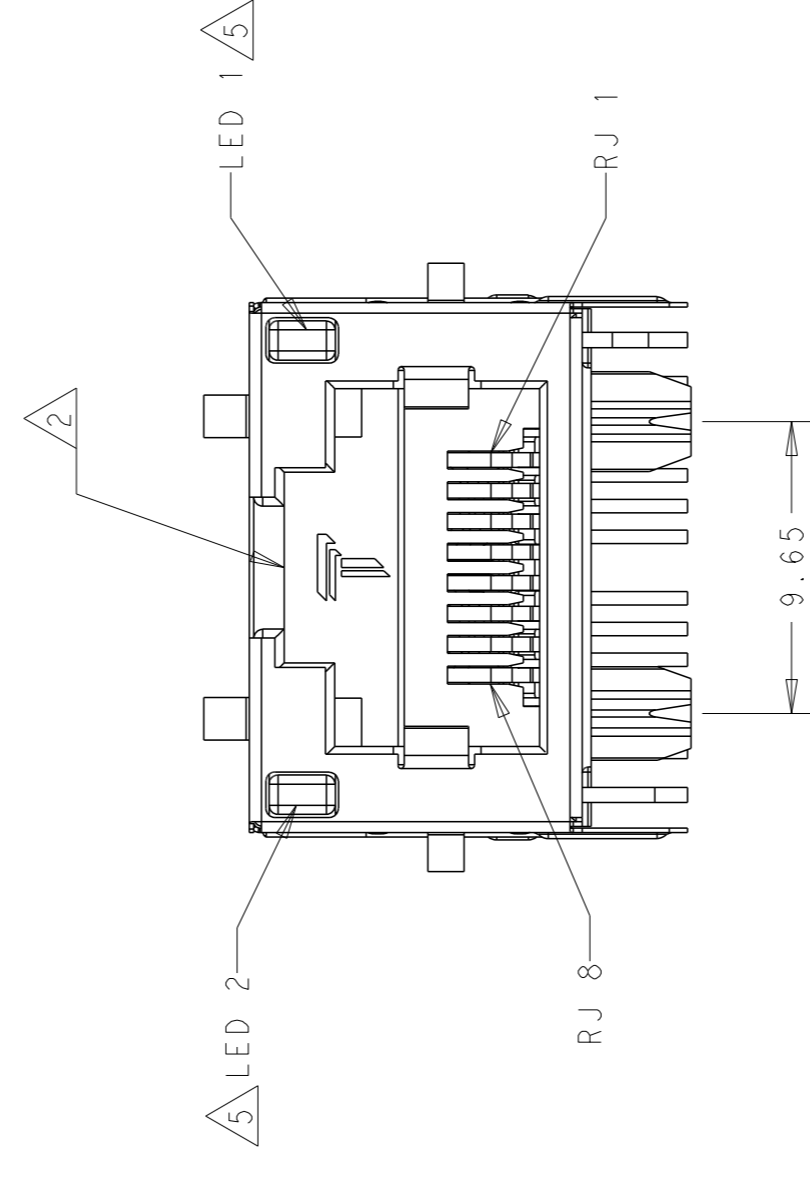
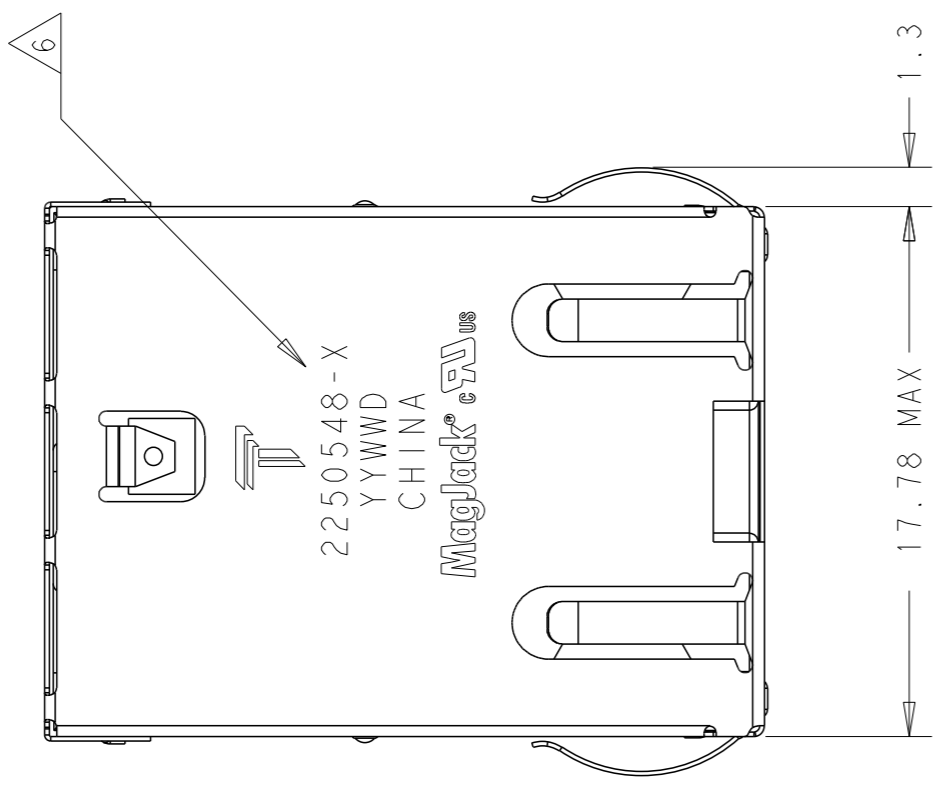
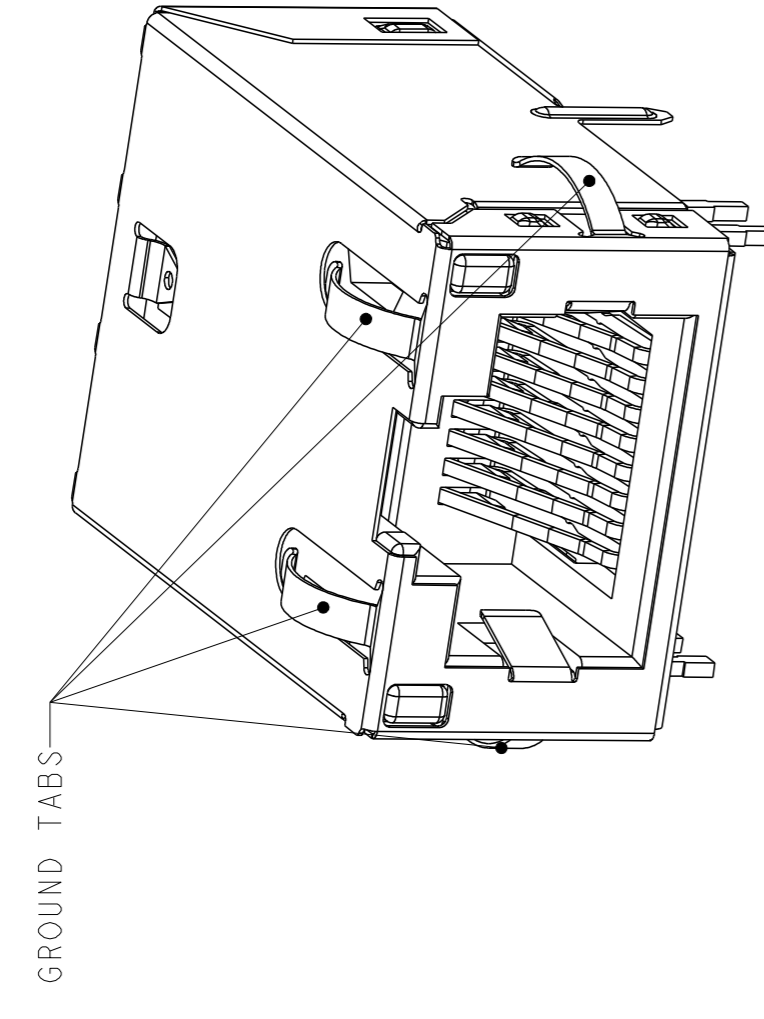
- APPLICATION: 10/100/1000 BASE-T EXTEND TEMPERATURE
- IMPEDANCE: 100 OHMS
- TURNS RATIO (CHIP-CABLE): 1:1 ALL FOUR PAIRS
- OPEN CIRCUIT INDUCTANCE (OCL): 350uH MIN @100kHz, 0.1VRMS, 8mADC BIAS FROM -40°C TO 100°C, ALL FOUR PAIRS
- ALL FOUR PAIRS BI-DIRECTINAL
- PERFORMANCE @ 25°C:
 - INSERTION LOSS (IL): 1.1dB MAX FROM 0.5MHz TO 100MHz
 - RETURN LOSS (RL): 18dB MIN FROM 0.5MHz TO 40MHz
 - 12-20LOG(f/80)dB MIN FROM 40.1MHz TO 100MHz
- CROSSTALK ATTENUATION: 35dB MIN FROM 0.5MHz TO 40MHz
- 33-20LOG(f/50)dB MIN FROM 40.1MHz TO 100MHz
- COMMON MODE REJECTION RATIO (CMRR): 30dB MIN FROM 0.5MHz TO 100MHz
- ISOLATION VOLTAGE: 2250 VDC FOR 60 SECONDS WITH A RISE TIME OF 500V/SEC

4. OPERATING TEMPERATURE: FROM -40°C TO 100°C

5. LED IS WITH CONSTANT CURRENT AT APPROX 20mA.
 LED COLOR: DOMINANT WAVELENGTH(λD), GREEN = 568±5nm TYP. at IF=20mA FORWARD VOLTAGE(VF), GREEN 2.2V TYP. at IF=20mA.
 DOMINANT WAVELENGTH(λD), YELLOW = 588±5nm TYP. at IF=20mA FORWARD VOLTAGE(VF), YELLOW 2.1V TYP. at IF=20mA.

6. TRP CONNECTOR LOGO, PART NUMBER, DATE CODE, COUNTRY OF ORIGIN AND AGENCY APPROVAL MARKING IN APPROXIMATE LOCATION SHOWN.

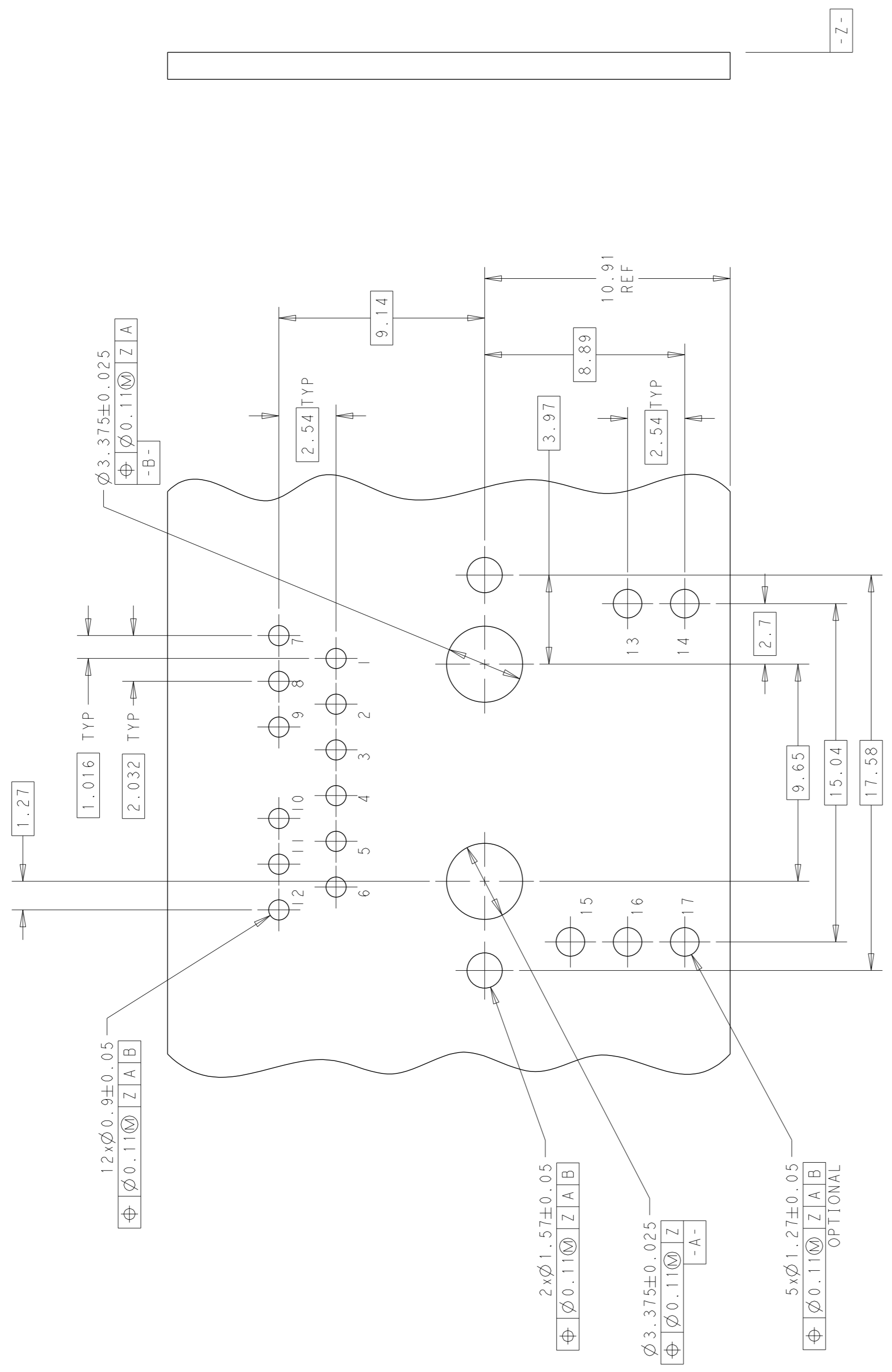
7. PART SHOULD BE COMPLIANT TO WAVE SOLDERING PROCESS, PREHEAT TEMPERATURE IS 120°C TO 160°C, 120 SECONDS TO 180 SECONDS, PEAK SOLDERING TEMPERATURE IS 260°C MAX, 10 SECONDS MAX



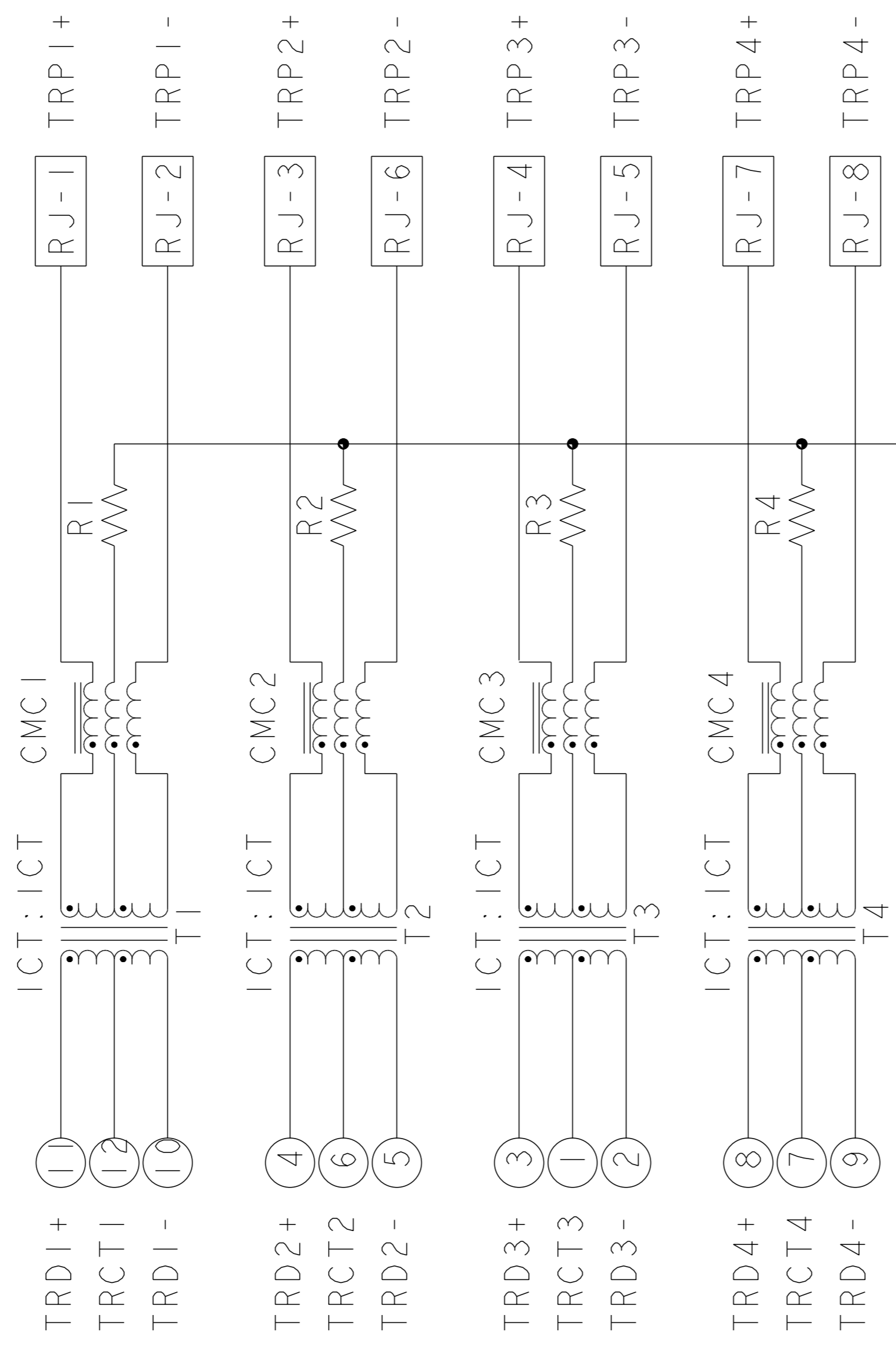
SUGGESTED PANEL CUTOUT

TRAY	WAVE SOLDERING	YELLOW	GREEN	GREEN	2250548-1
PACKAGE METHOD	SOLDERING PROCESS	16 → 15	16 → 17	14 → 13	PART NO.
		LED 2		LED 1	
THIS DRAWING IS A CONTROLLED DOCUMENT. IT SHALL BE KEPT IN THE ORIGINAL FILED COPY AND COMPLIANT TO ASME Y14.5M DIMENSIONS: UNLESS OTHERWISE SPECIFIED: 0 P.C. ±0.25 1 P.C. ±0.25 2 P.C. ±0.25 3 P.C. ±0.25 4 P.C. ±0.25 5 P.C. ±0.25 6 P.C. ±0.25 APPLICATION SPEC.		DIM. NAME: YU J. BILL LIU DATE: 25SEP2017 MODEL NAME: MAGJACK SIZE: SINGLE Non-PoE CUSTOMER DRAWING: A1		SCALE: 4:1 SHEET 1 OF 3 REV 1	
DIM. NAME: YU J. BILL LIU DATE: 25SEP2017 MODEL NAME: MAGJACK SIZE: SINGLE Non-PoE CUSTOMER DRAWING: A1		DIM. NAME: YU J. BILL LIU DATE: 25SEP2017 MODEL NAME: MAGJACK SIZE: SINGLE Non-PoE CUSTOMER DRAWING: A1		DIM. NAME: YU J. BILL LIU DATE: 25SEP2017 MODEL NAME: MAGJACK SIZE: SINGLE Non-PoE CUSTOMER DRAWING: A1	
DIM. NAME: YU J. BILL LIU DATE: 25SEP2017 MODEL NAME: MAGJACK SIZE: SINGLE Non-PoE CUSTOMER DRAWING: A1		DIM. NAME: YU J. BILL LIU DATE: 25SEP2017 MODEL NAME: MAGJACK SIZE: SINGLE Non-PoE CUSTOMER DRAWING: A1		DIM. NAME: YU J. BILL LIU DATE: 25SEP2017 MODEL NAME: MAGJACK SIZE: SINGLE Non-PoE CUSTOMER DRAWING: A1	
DIM. NAME: YU J. BILL LIU DATE: 25SEP2017 MODEL NAME: MAGJACK SIZE: SINGLE Non-PoE CUSTOMER DRAWING: A1		DIM. NAME: YU J. BILL LIU DATE: 25SEP2017 MODEL NAME: MAGJACK SIZE: SINGLE Non-PoE CUSTOMER DRAWING: A1		DIM. NAME: YU J. BILL LIU DATE: 25SEP2017 MODEL NAME: MAGJACK SIZE: SINGLE Non-PoE CUSTOMER DRAWING: A1	
DIM. NAME: YU J. BILL LIU DATE: 25SEP2017 MODEL NAME: MAGJACK SIZE: SINGLE Non-PoE CUSTOMER DRAWING: A1		DIM. NAME: YU J. BILL LIU DATE: 25SEP2017 MODEL NAME: MAGJACK SIZE: SINGLE Non-PoE CUSTOMER DRAWING: A1		DIM. NAME: YU J. BILL LIU DATE: 25SEP2017 MODEL NAME: MAGJACK SIZE: SINGLE Non-PoE CUSTOMER DRAWING: A1	
DIM. NAME: YU J. BILL LIU DATE: 25SEP2017 MODEL NAME: MAGJACK SIZE: SINGLE Non-PoE CUSTOMER DRAWING: A1		DIM. NAME: YU J. BILL LIU DATE: 25SEP2017 MODEL NAME: MAGJACK SIZE: SINGLE Non-PoE CUSTOMER DRAWING: A1		DIM. NAME: YU J. BILL LIU DATE: 25SEP2017 MODEL NAME: MAGJACK SIZE: SINGLE Non-PoE CUSTOMER DRAWING: A1	
DIM. NAME: YU J. BILL LIU DATE: 25SEP2017 MODEL NAME: MAGJACK SIZE: SINGLE Non-PoE CUSTOMER DRAWING: A1		DIM. NAME: YU J. BILL LIU DATE: 25SEP2017 MODEL NAME: MAGJACK SIZE: SINGLE Non-PoE CUSTOMER DRAWING: A1		DIM. NAME: YU J. BILL LIU DATE: 25SEP2017 MODEL NAME: MAGJACK SIZE: SINGLE Non-PoE CUSTOMER DRAWING: A1	
DIM. NAME: YU J. BILL LIU DATE: 25SEP2017 MODEL NAME: MAGJACK SIZE: SINGLE Non-PoE CUSTOMER DRAWING: A1		DIM. NAME: YU J. BILL LIU DATE: 25SEP2017 MODEL NAME: MAGJACK SIZE: SINGLE Non-PoE CUSTOMER DRAWING: A1		DIM. NAME: YU J. BILL LIU DATE: 25SEP2017 MODEL NAME: MAGJACK SIZE: SINGLE Non-PoE CUSTOMER DRAWING: A1	
DIM. NAME: YU J. BILL LIU DATE: 25SEP2017 MODEL NAME: MAGJACK SIZE: SINGLE Non-PoE CUSTOMER DRAWING: A1		DIM. NAME: YU J. BILL LIU DATE: 25SEP2017 MODEL NAME: MAGJACK SIZE: SINGLE Non-PoE CUSTOMER DRAWING: A1		DIM. NAME: YU J. BILL LIU DATE: 25SEP2017 MODEL NAME: MAGJACK SIZE: SINGLE Non-PoE CUSTOMER DRAWING: A1	
DIM. NAME: YU J. BILL LIU DATE: 25SEP2017 MODEL NAME: MAGJACK SIZE: SINGLE Non-PoE CUSTOMER DRAWING: A1		DIM. NAME: YU J. BILL LIU DATE: 25SEP2017 MODEL NAME: MAGJACK SIZE: SINGLE Non-PoE CUSTOMER DRAWING: A1		DIM. NAME: YU J. BILL LIU DATE: 25SEP2017 MODEL NAME: MAGJACK SIZE: SINGLE Non-PoE CUSTOMER DRAWING: A1	
DIM. NAME: YU J. BILL LIU DATE: 25SEP2017 MODEL NAME: MAGJACK SIZE: SINGLE Non-PoE CUSTOMER DRAWING: A1		DIM. NAME: YU J. BILL LIU DATE: 25SEP2017 MODEL NAME: MAGJACK SIZE: SINGLE Non-PoE CUSTOMER DRAWING: A1		DIM. NAME: YU J. BILL LIU DATE: 25SEP2017 MODEL NAME: MAGJACK SIZE: SINGLE Non-PoE CUSTOMER DRAWING: A1	
DIM. NAME: YU J. BILL LIU DATE: 25SEP2017 MODEL NAME: MAGJACK SIZE: SINGLE Non-PoE CUSTOMER DRAWING: A1		DIM. NAME: YU J. BILL LIU DATE: 25SEP2017 MODEL NAME: MAGJACK SIZE: SINGLE Non-PoE CUSTOMER DRAWING: A1		DIM. NAME: YU J. BILL LIU DATE: 25SEP2017 MODEL NAME: MAGJACK SIZE: SINGLE Non-PoE CUSTOMER DRAWING: A1	
DIM. NAME: YU J. BILL LIU DATE: 25SEP2017 MODEL NAME: MAGJACK SIZE: SINGLE Non-PoE CUSTOMER DRAWING: A1		DIM. NAME: YU J. BILL LIU DATE: 25SEP2017 MODEL NAME: MAGJACK SIZE: SINGLE Non-PoE CUSTOMER DRAWING: A1		DIM. NAME: YU J. BILL LIU DATE: 25SEP2017 MODEL NAME: MAGJACK SIZE: SINGLE Non-PoE CUSTOMER DRAWING: A1	
DIM. NAME: YU J. BILL LIU DATE: 25SEP2017 MODEL NAME: MAGJACK SIZE: SINGLE Non-PoE CUSTOMER DRAWING: A1		DIM. NAME: YU J. BILL LIU DATE: 25SEP2017 MODEL NAME: MAGJACK SIZE: SINGLE Non-PoE CUSTOMER DRAWING: A1		DIM. NAME: YU J. BILL LIU DATE: 25SEP2017 MODEL NAME: MAGJACK SIZE: SINGLE Non-PoE CUSTOMER DRAWING: A1	
DIM. NAME: YU J. BILL LIU DATE: 25SEP2017 MODEL NAME: MAGJACK SIZE: SINGLE Non-PoE CUSTOMER DRAWING: A1		DIM. NAME: YU J. BILL LIU DATE: 25SEP2017 MODEL NAME: MAGJACK SIZE: SINGLE Non-PoE CUSTOMER DRAWING: A1		DIM. NAME: YU J. BILL LIU DATE: 25SEP2017 MODEL NAME: MAGJACK SIZE: SINGLE Non-PoE CUSTOMER DRAWING: A1	
DIM. NAME: YU J. BILL LIU DATE: 25SEP2017 MODEL NAME: MAGJACK SIZE: SINGLE Non-PoE CUSTOMER DRAWING: A1		DIM. NAME: YU J. BILL LIU DATE: 25SEP2017 MODEL NAME: MAGJACK SIZE: SINGLE Non-PoE CUSTOMER DRAWING: A1		DIM. NAME: YU J. BILL LIU DATE: 25SEP2017 MODEL NAME: MAGJACK SIZE: SINGLE Non-PoE CUSTOMER DRAWING: A1	
DIM. NAME: YU J. BILL LIU DATE: 25SEP2017 MODEL NAME: MAGJACK SIZE: SINGLE Non-PoE CUSTOMER DRAWING: A1		DIM. NAME: YU J. BILL LIU DATE: 25SEP2017 MODEL NAME: MAGJACK SIZE: SINGLE Non-PoE CUSTOMER DRAWING: A1		DIM. NAME: YU J. BILL LIU DATE: 25SEP2017 MODEL NAME: MAGJACK SIZE: SINGLE Non-PoE CUSTOMER DRAWING: A1	
DIM. NAME: YU J. BILL LIU DATE: 25SEP2017 MODEL NAME: MAGJACK SIZE: SINGLE Non-PoE CUSTOMER DRAWING: A1		DIM. NAME: YU J. BILL LIU DATE: 25SEP2017 MODEL NAME: MAGJACK SIZE: SINGLE Non-PoE CUSTOMER DRAWING: A1		DIM. NAME: YU J. BILL LIU DATE: 25SEP2017 MODEL NAME: MAGJACK SIZE: SINGLE Non-PoE CUSTOMER DRAWING: A1	
DIM. NAME: YU J. BILL LIU DATE: 25SEP2017 MODEL NAME: MAGJACK SIZE: SINGLE Non-PoE CUSTOMER DRAWING: A1		DIM. NAME: YU J. BILL LIU DATE: 25SEP2017 MODEL NAME: MAGJACK SIZE: SINGLE Non-PoE CUSTOMER DRAWING: A1		DIM. NAME: YU J. BILL LIU DATE: 25SEP2017 MODEL NAME: MAGJACK SIZE: SINGLE Non-PoE CUSTOMER DRAWING: A1	
DIM. NAME: YU J. BILL LIU DATE: 25SEP2017 MODEL NAME: MAGJACK SIZE: SINGLE Non-PoE CUSTOMER DRAWING: A1		DIM. NAME: YU J. BILL LIU DATE: 25SEP2017 MODEL NAME: MAGJACK SIZE: SINGLE Non-PoE CUSTOMER DRAWING: A1		DIM. NAME: YU J. BILL LIU DATE: 25SEP2017 MODEL NAME: MAGJACK SIZE: SINGLE Non-PoE CUSTOMER DRAWING: A1	
DIM. NAME: YU J. BILL LIU DATE: 25SEP2017 MODEL NAME: MAGJACK SIZE: SINGLE Non-PoE CUSTOMER DRAWING: A1		DIM. NAME: YU J. BILL LIU DATE: 25SEP2017 MODEL NAME: MAGJACK SIZE: SINGLE Non-PoE CUSTOMER DRAWING: A1		DIM. NAME: YU J. BILL LIU DATE: 25SEP2017 MODEL NAME: MAGJACK SIZE: SINGLE Non-PoE CUSTOMER DRAWING: A1	
DIM. NAME: YU J. BILL LIU DATE: 25SEP2017 MODEL NAME: MAGJACK SIZE: SINGLE Non-PoE CUSTOMER DRAWING: A1		DIM. NAME: YU J. BILL LIU DATE: 25SEP2017 MODEL NAME: MAGJACK SIZE: SINGLE Non-PoE CUSTOMER DRAWING: A1		DIM. NAME: YU J. BILL LIU DATE: 25SEP2017 MODEL NAME: MAGJACK SIZE: SINGLE Non-PoE CUSTOMER DRAWING: A1	
DIM. NAME: YU J. BILL LIU DATE: 25SEP2017 MODEL NAME: MAGJACK SIZE: SINGLE Non-PoE CUSTOMER DRAWING: A1		DIM. NAME: YU J. BILL LIU DATE: 25SEP2017 MODEL NAME: MAGJACK SIZE: SINGLE Non-PoE CUSTOMER DRAWING: A1		DIM. NAME: YU J. BILL LIU DATE: 25SEP2017 MODEL NAME: MAGJACK SIZE: SINGLE Non-PoE CUSTOMER DRAWING: A1	
DIM. NAME: YU J. BILL LIU DATE: 25SEP2017 MODEL NAME: MAGJACK SIZE: SINGLE Non-PoE CUSTOMER DRAWING: A1		DIM. NAME: YU J. BILL LIU DATE: 25SEP2017 MODEL NAME: MAGJACK SIZE: SINGLE Non-PoE CUSTOMER DRAWING: A1		DIM. NAME: YU J. BILL LIU DATE: 25SEP2017 MODEL NAME: MAGJACK SIZE: SINGLE Non-PoE CUSTOMER DRAWING: A1	
DIM. NAME: YU J. BILL LIU DATE: 25SEP2017 MODEL NAME: MAGJACK SIZE: SINGLE Non-PoE CUSTOMER DRAWING: A1		DIM. NAME: YU J. BILL LIU DATE: 25SEP2017 MODEL NAME: MAGJACK SIZE: SINGLE Non-PoE CUSTOMER DRAWING: A1		DIM. NAME: YU J. BILL LIU DATE: 25SEP2017 MODEL NAME: MAGJACK SIZE: SINGLE Non-PoE CUSTOMER DRAWING: A1	
DIM. NAME: YU J. BILL LIU DATE: 25SEP2017 MODEL NAME: MAGJACK SIZE: SINGLE Non-PoE CUSTOMER DRAWING: A1		DIM. NAME: YU J. BILL LIU DATE: 25SEP2017 MODEL NAME: MAGJACK SIZE: SINGLE Non-PoE CUSTOMER DRAWING: A1		DIM. NAME: YU J. BILL LIU DATE: 25SEP2017 MODEL NAME: MAGJACK SIZE: SINGLE Non-PoE CUSTOMER DRAWING: A1	
DIM. NAME: YU J. BILL LIU DATE: 25SEP2017 MODEL NAME: MAGJACK SIZE: SINGLE Non-PoE CUSTOMER DRAWING: A1		DIM. NAME: YU J. BILL LIU DATE: 25SEP2017 MODEL NAME: MAGJACK SIZE: SINGLE Non-PoE CUSTOMER DRAWING: A1		DIM. NAME: YU J. BILL LIU DATE: 25SEP2017 MODEL NAME: MAGJACK SIZE: SINGLE Non-PoE CUSTOMER DRAWING: A1	
DIM. NAME: YU J. BILL LIU DATE: 25SEP2017 MODEL NAME: MAGJACK SIZE: SINGLE Non-PoE CUSTOMER DRAWING: A1		DIM. NAME: YU J. BILL LIU DATE: 25SEP2017 MODEL NAME: MAGJACK SIZE: SINGLE Non-PoE CUSTOMER DRAWING: A1		DIM. NAME: YU J. BILL LIU DATE: 25SEP2017 MODEL NAME: MAGJACK SIZE: SINGLE Non-PoE CUSTOMER DRAWING: A1	
DIM. NAME: YU J. BILL LIU DATE: 25SEP2017 MODEL NAME: MAGJACK SIZE: SINGLE Non-PoE CUSTOMER DRAWING: A1		DIM. NAME: YU J. BILL LIU DATE: 25SEP2017 MODEL NAME: MAGJACK SIZE: SINGLE Non-PoE CUSTOMER DRAWING: A1		DIM. NAME: YU J. BILL LIU DATE: 25SEP2017 MODEL NAME: MAGJACK SIZE: SINGLE Non-PoE CUSTOMER DRAWING: A1	
DIM. NAME: YU J. BILL LIU DATE: 25SEP2017 MODEL NAME: MAGJACK SIZE: SINGLE Non-PoE CUSTOMER DRAWING: A1		DIM. NAME: YU J. BILL LIU DATE: 25SEP2017 MODEL NAME: MAGJACK SIZE: SINGLE Non-PoE CUSTOMER DRAWING: A1		DIM. NAME: YU J. BILL LIU DATE: 25SEP2017 MODEL NAME: MAGJACK SIZE: SINGLE Non-PoE CUSTOMER DRAWING: A1	
DIM. NAME: YU J. BILL LIU DATE: 25SEP2017 MODEL NAME: MAGJACK SIZE: SINGLE Non-PoE CUSTOMER DRAWING: A1		DIM. NAME: YU J. BILL LIU DATE: 25SEP2017 MODEL NAME: MAGJACK SIZE: SINGLE Non-PoE CUSTOMER DRAWING: A1		DIM. NAME: YU J. BILL LIU DATE: 25SEP2017 MODEL NAME: MAGJACK SIZE: SINGLE Non-PoE CUSTOMER DRAWING: A1	
DIM. NAME: YU J. BILL LIU DATE: 25SEP2017 MODEL NAME: MAGJACK SIZE: SINGLE Non-PoE CUSTOMER DRAWING: A1		DIM. NAME: YU J. BILL LIU DATE: 25SEP2017 MODEL NAME: MAGJACK SIZE: SINGLE Non-PoE CUSTOMER DRAWING: A1		DIM. NAME: YU J. BILL LIU DATE: 25SEP2017 MODEL NAME: MAGJACK SIZE: SINGLE Non-PoE CUSTOMER DRAWING: A1	
DIM. NAME: YU J. BILL LIU DATE: 25SEP2017 MODEL NAME: MAGJACK SIZE: SINGLE Non-PoE CUSTOMER DRAWING: A1		DIM. NAME: YU J. BILL LIU DATE: 25SEP2017 MODEL NAME: MAGJACK SIZE: SINGLE Non-PoE CUSTOMER DRAWING: A1		DIM. NAME: YU J. BILL LIU DATE: 25SEP2017 MODEL NAME: MAGJACK SIZE: SINGLE Non-PoE CUSTOMER DRAWING: A1	
DIM. NAME: YU J. BILL LIU DATE: 25SEP2017 MODEL NAME: MAGJACK SIZE: SINGLE Non-PoE CUSTOMER DRAWING: A1		DIM. NAME: YU J. BILL LIU DATE: 25SEP2017 MODEL NAME: MAGJACK SIZE: SINGLE Non-PoE CUSTOMER DRAWING: A1		DIM. NAME: YU J. BILL LIU DATE: 25SEP2017 MODEL NAME: MAGJACK SIZE: SINGLE Non-PoE CUSTOMER DRAWING: A1	
DIM. NAME: YU J. BILL LIU DATE: 25SEP2017 MODEL NAME: MAGJACK SIZE: SINGLE Non-PoE CUSTOMER DRAWING: A1		DIM. NAME: YU J. BILL LIU DATE: 25SEP2017 MODEL NAME: MAGJACK SIZE: SINGLE Non-PoE CUSTOMER DRAWING: A1		DIM. NAME: YU J. BILL LIU DATE: 25SEP2017 MODEL NAME: MAGJACK SIZE: SINGLE Non-PoE CUSTOMER DRAWING: A1	
DIM. NAME: YU J. BILL LIU DATE: 25SEP2017 MODEL NAME: MAGJACK SIZE: SINGLE Non-PoE CUSTOMER DRAWING: A1		DIM. NAME: YU J. BILL LIU DATE: 25SEP2017 MODEL NAME: MAGJACK SIZE: SINGLE Non-PoE CUSTOMER DRAWING: A1		DIM. NAME: YU J. BILL LIU DATE: 25SEP2017 MODEL NAME: MAGJACK SIZE: SINGLE Non-PoE CUSTOMER DRAWING: A1	
DIM. NAME: YU J. BILL LIU DATE: 25SEP2017 MODEL NAME: MAGJACK SIZE: SINGLE Non-PoE CUSTOMER DRAWING: A1		DIM. NAME: YU J. BILL LIU DATE: 25SEP2017 MODEL NAME: MAGJACK SIZE: SINGLE Non-PoE CUSTOMER DRAWING: A1		DIM. NAME: YU J. BILL LIU DATE: 25SEP2017 MODEL NAME: MAGJACK SIZE: SINGLE Non-PoE CUSTOMER DRAWING: A1	
DIM. NAME: YU J. BILL LIU DATE: 25SEP2017 MODEL NAME: MAGJACK SIZE: SINGLE Non-PoE CUSTOMER DRAWING: A1		DIM. NAME: YU J. BILL LIU DATE: 25SEP2017 MODEL NAME: MAGJACK SIZE: SINGLE Non-PoE CUSTOMER DRAWING: A1		DIM. NAME: YU J. BILL LIU DATE: 25SEP2017 MODEL NAME: MAGJACK SIZE: SINGLE Non-PoE CUSTOMER DRAWING: A1	
DIM. NAME: YU J. BILL LIU DATE: 25SEP2017 MODEL NAME: MAGJACK SIZE: SINGLE Non-PoE CUSTOMER DRAWING: A1		DIM. NAME: YU J. BILL LIU DATE: 25SEP2017 MODEL NAME: MAGJACK SIZE: SINGLE Non-PoE CUSTOMER DRAWING: A1		DIM. NAME: YU J. BILL LIU DATE: 25SEP2017 MODEL NAME: MAGJACK SIZE: SINGLE Non-PoE CUSTOMER DRAWING: A1	
DIM. NAME: YU J. BILL LIU DATE: 25SEP2017 MODEL NAME: MAGJACK SIZE: SINGLE Non-PoE CUSTOMER DRAWING: A1		DIM. NAME: YU J. BILL LIU DATE: 25SEP2017 MODEL NAME: MAGJACK SIZE: SINGLE Non-PoE CUSTOMER DRAWING: A1		DIM. NAME: YU J. BILL LIU DATE: 25SEP2017 MODEL NAME: MAGJACK SIZE: SINGLE Non-PoE CUSTOMER DRAWING: A1	
DIM. NAME: YU J. BILL LIU DATE: 25SEP2017 MODEL NAME: MAGJACK SIZE: SINGLE Non-PoE CUSTOMER DRAWING: A1		DIM. NAME: YU J. BILL LIU DATE: 25SEP2017 MODEL NAME: MAGJACK SIZE: SINGLE Non-PoE CUSTOMER DRAWING: A1		DIM. NAME: YU J. BILL LIU DATE: 25SEP2017 MODEL NAME: MAGJACK SIZE: SINGLE Non-PoE CUSTOMER DRAWING: A1	
DIM. NAME: YU J. BILL LIU DATE: 25SEP2017 MODEL NAME: MAGJACK SIZE: SINGLE Non-PoE CUSTOMER DRAWING: A1		DIM. NAME: YU J. BILL LIU DATE: 25SEP2017 MODEL NAME: MAGJACK SIZE: SINGLE Non-PoE CUSTOMER DRAWING: A1		DIM. NAME: YU J. BILL LIU DATE: 25SEP2017 MODEL NAME: MAGJACK SIZE: SINGLE Non-PoE CUSTOMER DRAWING: A1	
DIM. NAME: YU J. BILL LIU DATE: 25SEP2017 MODEL NAME: MAGJACK SIZE: SINGLE Non-PoE CUSTOMER DRAWING: A1		DIM. NAME: YU J. BILL LIU DATE: 25SEP2017 MODEL NAME: MAGJACK SIZE: SINGLE Non-PoE CUSTOMER DRAWING: A1		DIM. NAME: YU J. BILL LIU DATE: 25SEP2017 MODEL NAME: MAGJACK SIZE: SINGLE Non-PoE CUSTOMER DRAWING: A1	
DIM. NAME: YU J. BILL LIU DATE: 25SEP2017 MODEL NAME: MAGJACK SIZE: SINGLE Non-PoE CUSTOMER DRAWING: A1		DIM. NAME: YU J. BILL LIU DATE: 25SEP2017 MODEL NAME: MAGJACK SIZE: SINGLE Non-PoE CUSTOMER DRAWING: A1		DIM. NAME: YU J. BILL LIU DATE: 25SEP2017 MODEL NAME: MAGJACK SIZE: SINGLE Non-PoE CUSTOMER DRAWING: A1	
DIM. NAME: YU J. BILL LIU DATE: 25SEP2017 MODEL NAME: MAGJACK SIZE: SINGLE Non-PoE CUSTOMER DRAWING: A1		DIM. NAME: YU J. BILL LIU DATE: 25SEP2017 MODEL NAME: MAGJACK SIZE: SINGLE Non-PoE CUSTOMER DRAWING: A1		DIM. NAME: YU J. BILL LIU DATE: 25SEP2017 MODEL NAME: MAGJACK SIZE: SINGLE Non-PoE CUSTOMER DRAWING: A1	
DIM. NAME: YU J. BILL LIU DATE: 25SEP2017 MODEL NAME: MAGJACK SIZE: SINGLE Non-PoE CUSTOMER DRAWING: A1		DIM. NAME: YU J. BILL LIU DATE: 25SEP2017 MODEL NAME: MAGJACK SIZE: SINGLE Non-PoE CUSTOMER DRAWING: A1		DIM	

IG18ETL GIGABIT CIRCUIT



SUGGESTED PCB LAYOUT



C1: 1000pF, 2kV CAPACITOR.
R1-R4: 75 Ohms, RESISTORS.

-Z-

THIS DRAWING IS A CONTROLLED DOCUMENT. AND COMPLIANT TO ASME Y14.5M		DWG. NO. Y14.5M-25SEP2017 CHK. Y14.5M-25SEP2017 APPR. Y14.5M-25SEP2017 MODEL NAME: LONGBAY XUAN	DONGGUAN CHINA
DIMENSIONS: mm UNLESS OTHERWISE SPECIFIED: 0 P.C. 1 P.C. 2 P.C. 3 P.C. 4 P.C. APPLICATION SPEC.	PRODUCT SPEC 108-104004	BESS MAGJACK	TRP CONNECTOR DONGGUAN CHINA
PRODUCT SPEC 108-104004		SIZE: CAT. CODE A1	IXL IG18ETL GIGABIT TAB UP LOW PROFILE W/ LED
APPLICATION SPEC		SINGLE Non-PoE	RESTRICTED TO ©=2250548
CUSTOMER DRAWING		SCALE: 4:1	SHEET 2 OF 3 REV 1

C_2250548							
STOCK DISPOSITION							
A: CONTINUE AS IS D: USE OLD FIRST							
B: REWORK E: PARTS TO CONFORM							
C: SCRAP F: OTHER							
REVISION HISTORY							
DATE	REV	CHANGES	REASON	APPROVAL	WORK IN PROCESS INVENTORY (A,B,C,D,E,F)	SUPPLIER ORDERS (A,E,F)	OPEN CUST ORDERS (A,E,F)
25SEP2017	1	-	INITIAL RELEASE	TONY YUAN	-	-	-

THIS DRAWING IS A CONTROLLED DOCUMENT, AND COMPLIANT TO ASME Y14.5M
 DIMENSIONS: mm
 TOLERANCES UNLESS OTHERWISE SPECIFIED:
 0 P.C. ±0.25
 1 P.C. ±0.25
 2 P.C. ±0.25
 3 P.C. ±
 4 P.C. ±
 APPLICATION SPEC. ±
 PRODUCT SPEC 108-104004
 APPLICATION SPEC. ±
 DIMENSIONS: mm
 TOLERANCES UNLESS OTHERWISE SPECIFIED:
 0 P.C. ±0.25
 1 P.C. ±0.25
 2 P.C. ±0.25
 3 P.C. ±
 4 P.C. ±
 APPLICATION SPEC. ±
 PRODUCT SPEC 108-104004
 APPLICATION SPEC. ±

DWG: MARY YE / 25SEP2017
 CHK: LONER YU / 25SEP2017
 APPR: TONY YUAN / 25SEP2017
 MODEL NAME: MAGJACK
 SIZE: 1X1 1G18ETL 1G18ABIT
 TAB: UP LOW PROFILE W/ LED
 BE3C
 SIZE: A1
 CAGE CODE: C=2250548
 DRAWING NO: -
 RESTRICTED TO: -
 CUSTOMER DRAWING

trp CONNECTOR
 DONGGUAN CHINA
 SCALE: 4:1 SHEET 3 OF 3 REV 1