

THE INFORMATION CONTAINED HEREIN IS CONSIDERED "PROPRIETARY" TO BEL FUSE INC. AND SHALL NOT BE COPIED, REPRODUCED OR DISCLOSED WITHOUT THE WRITTEN APPROVAL OF BEL FUSE INC.

LED 2 & 4 POLARITY	LED 1 & 3 POLARITY	PIN 11	PIN 12	COLOR	PIN 13	PIN 14	COLOR
-	+	+	+	YELLOW	-	+	YELLOW
+	-	-	-	GREEN	+	-	GREEN

ELECTRICAL CHARACTERISTICS @ 25°C

TURNS RATIO

1CT : 1CT ±2%
 1CT : 1CT ±2%
 1CT : 1CT ±2%
 1CT : 1CT ±2%

DCL @ 100kHz/100mVRMS

8mA DC BIAS

INS. LOSS

0.1MHZ TO 1MHZ
 1MHZ TO 65MHZ
 65MHZ TO 100MHZ
 100MHZ TO 125MHZ

RET. LOSS <MIN>

0.5MHZ-40MHZ
 40MHZ-100MHZ

CM TO CM REJ

100kHz - 100MHZ

CM TO DM REJ

100kHz - 100MHZ

HIPOT <Isolation Voltage>

1500 Vrms
 100% OF PRODUCTION TESTED TO COMPLY WITH IEEE 802.3 ISOLATION REQUIREMENTS.

LEDS 1, 2, 3 AND 4

VF <FORWARD VOLTAGE>

IF=20mA GREEN 2.2V TYP.

IF=20mA YELLOW 2.1V TYP.

IF=20mA GREEN 565nm TYP.

IF=20mA YELLOW 590nm TYP.

AD <DOMINANT WAVELENGTH>

IF=20mA GREEN 565nm TYP.

IF=20mA YELLOW 590nm TYP.

TITLE

2X4 gigabit MagJack®
 WITH UPPER AND LOWER LED
 (8 Cores)

ORIGINATED BY

CHOW WANCHUNG

DATE

11-28-08

DATE

11-28-08

DRAWN BY

WEIDE LEE

PART NO. / DRAWING NO.

0879-2C4R-54

STANDARD DIM.

TOL. IN INCH

.X

.XX

.XXX

[] METRIC DIM. AS REFERENCE

UNIT : INCH [mm]

REV. : B

SCALE : N/A

SIZE : A4

PAGE : 2

FILE NAME

0879-2C4R-54_B.DWG

REVISION

REV. : B

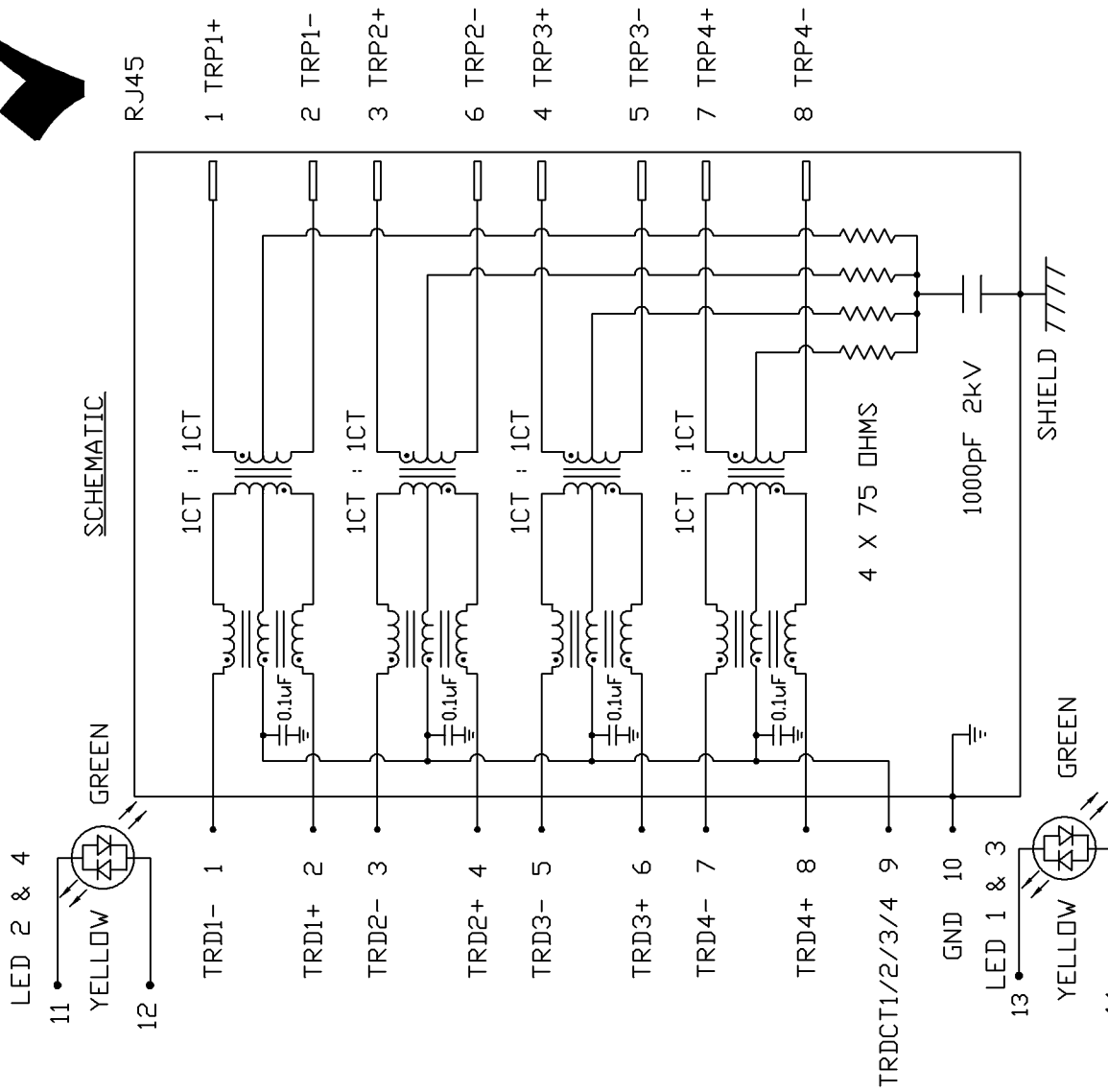


This document is electronically generated. This is a controlled copy if used internally

DC002(2)032305



SCHEMATIC



LED 2 & 4

YELLOW

GREEN

LED 1 & 3

YELLOW

GREEN

SHIELD

4 X 75 OHMS

1000pF 2kV

1CT : 1CT

1CT : 1CT

1CT : 1CT

1CT : 1CT

1CT : 1CT

1CT : 1CT

1CT : 1CT

1CT : 1CT

1CT : 1CT

1CT : 1CT

1CT : 1CT

1CT : 1CT

1CT : 1CT

1CT : 1CT

1CT : 1CT

1CT : 1CT

1CT : 1CT

1CT : 1CT

1CT : 1CT

1CT : 1CT

1CT : 1CT

1CT : 1CT

1CT : 1CT

1CT : 1CT

1CT : 1CT

1CT : 1CT

1CT : 1CT

1CT : 1CT

1CT : 1CT

1CT : 1CT

1CT : 1CT

1CT : 1CT

1CT : 1CT

RJ45

1 TRP1+

2 TRP1-

3 TRP2+

6 TRP2-

4 TRP3+

5 TRP3-

7 TRP4+

8 TRP4-

1 TRD1-

2 TRD1+

3 TRD2-

4 TRD2+

5 TRD3-

6 TRD3+

7 TRD4-

8 TRD4+

GND

LED 1 & 3

YELLOW

GREEN

SHIELD

4 X 75 OHMS

1000pF 2kV

1CT : 1CT

1CT : 1CT

1CT : 1CT

1CT : 1CT

1CT : 1CT

1CT : 1CT

1CT : 1CT

1CT : 1CT

1CT : 1CT

1CT : 1CT

1CT : 1CT

1CT : 1CT

1CT : 1CT

1CT : 1CT

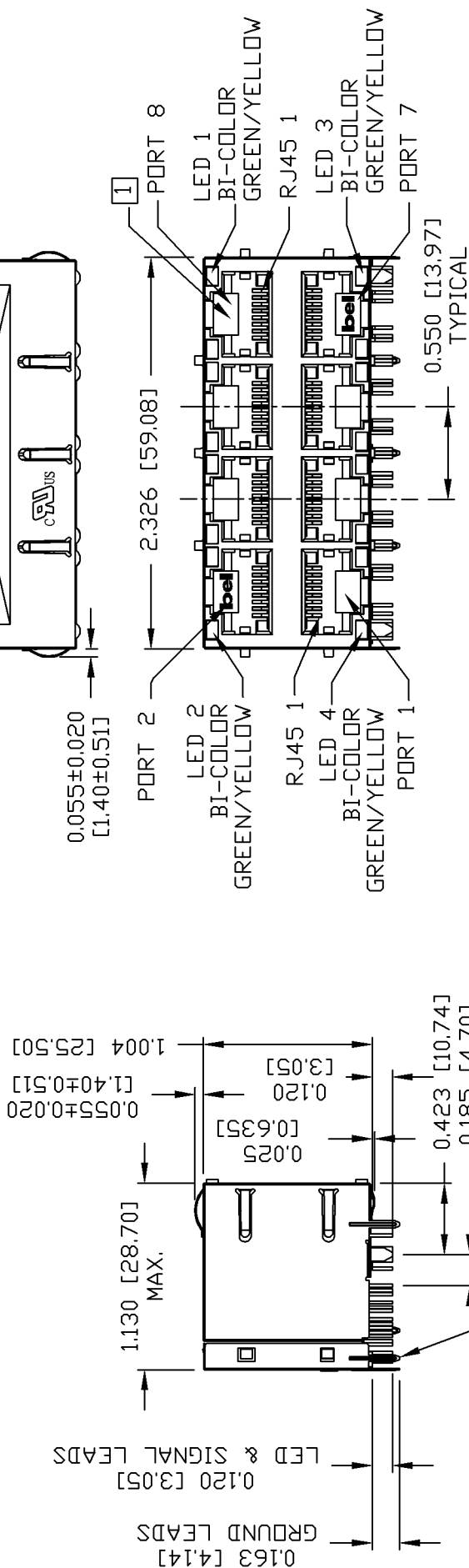
1CT : 1CT

1CT : 1CT

1CT : 1CT

1CT : 1CT

THE INFORMATION CONTAINED HEREIN IS CONSIDERED "PROPRIETARY" TO BEL FUSE INC. AND SHALL NOT BE COPIED, REPRODUCED OR DISCLOSED WITHOUT THE WRITTEN APPROVAL OF BEL FUSE INC.



NOTES:

- PLASTIC HOUSING: THERMOPLASTIC PBT
FLAMMABILITY RATING UL 94V-0
- CONTACT PLATING: 50 MICRO-INCH HARD GOLD PLATING
- OUTPUT PINS: TIN-COATED COPPER WIRE, DIA 0.018 INCH.
- METAL SHIELD: NICKEL PLATED ON COPPER ALLOY.
(ALL GROUND LEADS ARE SOLDER DIPPED)
- [1] JACK CAVITY CONFORMS TO FCC RULES AND REGULATIONS, PART 68 SUBPART F.
- [2] MARK PART WITH MFG LOGO, MFG NAME, PART NUMBER, AND DATE CODE.

3. RoHS COMPLIANCE, PER EU DIRECTIVE 2002/95/EC.

RoHS COMPLIANCE - FILE #E196366 AND E169987.

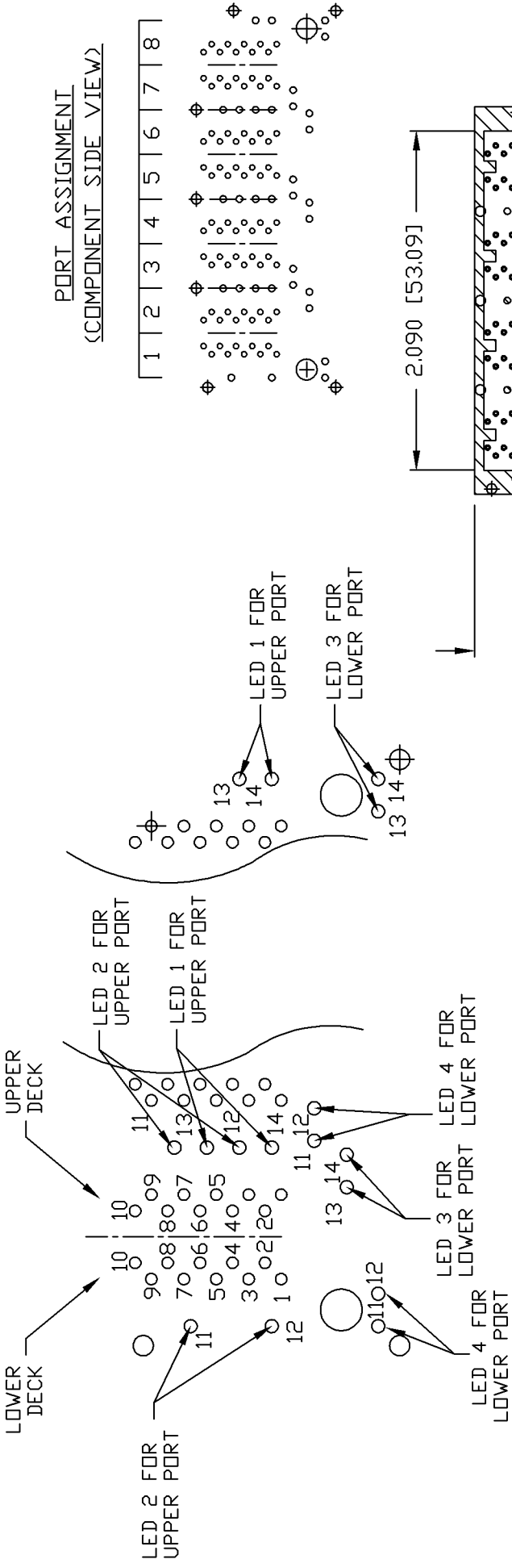
ORIGINATED BY	DATE	TITLE	PART NO. / DRAWING NO.	STANDARD DIM.	[] METRIC DIM. AS REFERENCE
ANTON LIAO	11-28-08	2X4 gigabit MagJack® WITH UPPER AND LOWER LED (8 Cores)	0879-2C4R-54	TOL. IN INCH	UNIT : INCH [mm]
DRAWN BY	DATE		FILE NAME	.X	SCALE : N/A
SANDY LIN	11-28-08		0879-2C4R-54_B.DWG	.XX	SCALE : N/A
				.XXX	±0.010
					⊕ - - ⊖
					REV. : B
					SIZE : A4
					PAGE : 3

This document is electronically generated. This is a controlled copy if used internally



COMPONENTS FOR A
PLANNED FUTURE

THE INFORMATION CONTAINED HEREIN IS CONSIDERED "PROPRIETARY" TO BEL FUSE INC. AND SHALL NOT BE COPIED, REPRODUCED OR DISCLOSED WITHOUT THE WRITTEN APPROVAL OF BEL FUSE INC.

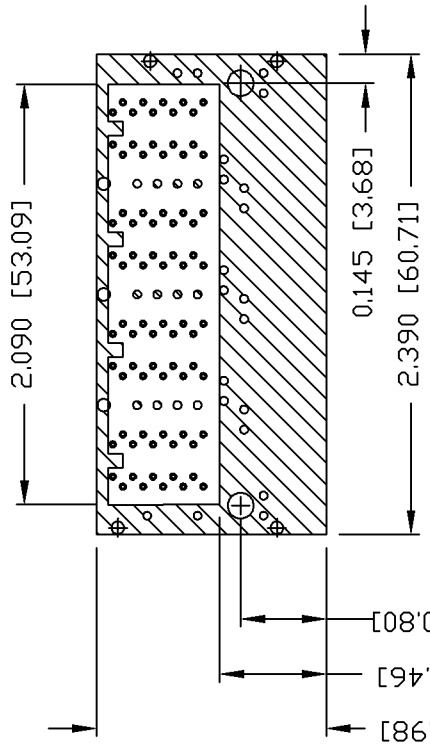
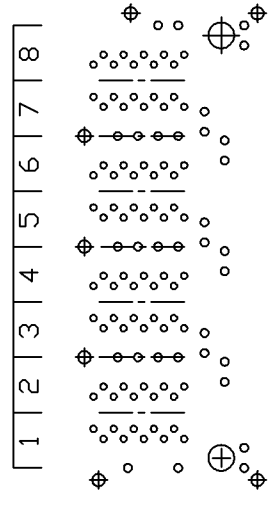


PIN-OUT INFORMATION
(COMPONENT SIDE VIEW)

10	GND
9	TRDCT1/2/3/4
8	TRD 4+
7	TRD 4-
6	TRD 3+
5	TRD 3-
4	TRD 2+
3	TRD 2-
2	TRD 1+
1	TRD 1-

14	GREEN (-)/YELLOW (+)
13	GREEN (+)/YELLOW (-)
12	GREEN (-)/YELLOW (+)
11	GREEN (+)/YELLOW (-)

PORT ASSIGNMENT
(COMPONENT SIDE VIEW)

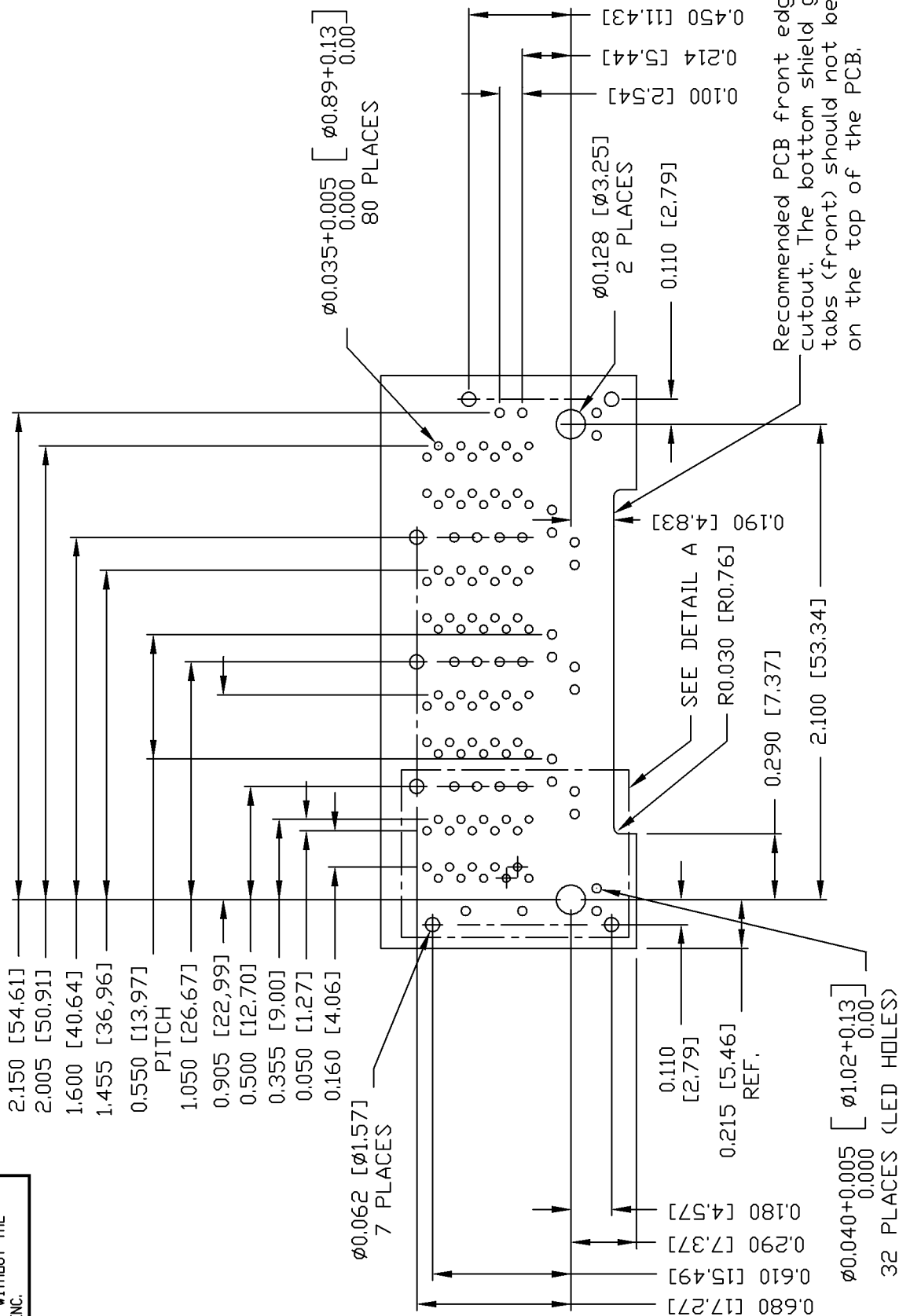


THE SHADED AREA ON THE CUSTOMER BOARD ARE RECOMMENDED TO BE CLEAR OFF ANY VIA HOLE OR COMPONENT PAD.

ORIGINATED BY ANTON LIAD	DATE 11-28-08	PART NO. / DRAWING NO. 0879-2C4R-54	STANDARD DIM. TOL. IN INCH	[] METRIC DIM. AS REFERENCE					
	DRAWN BY SANDY LIN		DATE 11-28-08	FILE NAME 0879-2C4R-54_B.DWG	UNIT : INCH [mm]	REV. : B	SCALE : N/A	SIZE : A4	PAGE : 4
TITLE 2X4 gigabit MagJack® WITH UPPER AND LOWER LED (8 Cores)									

This document is electronically generated. This is a controlled copy if used internally

THE INFORMATION CONTAINED HEREIN IS CONSIDERED "PROPRIETARY" TO BEL FUSE INC. AND SHALL NOT BE COPIED, REPRODUCED OR DISCLOSED WITHOUT THE WRITTEN APPROVAL OF BEL FUSE INC.



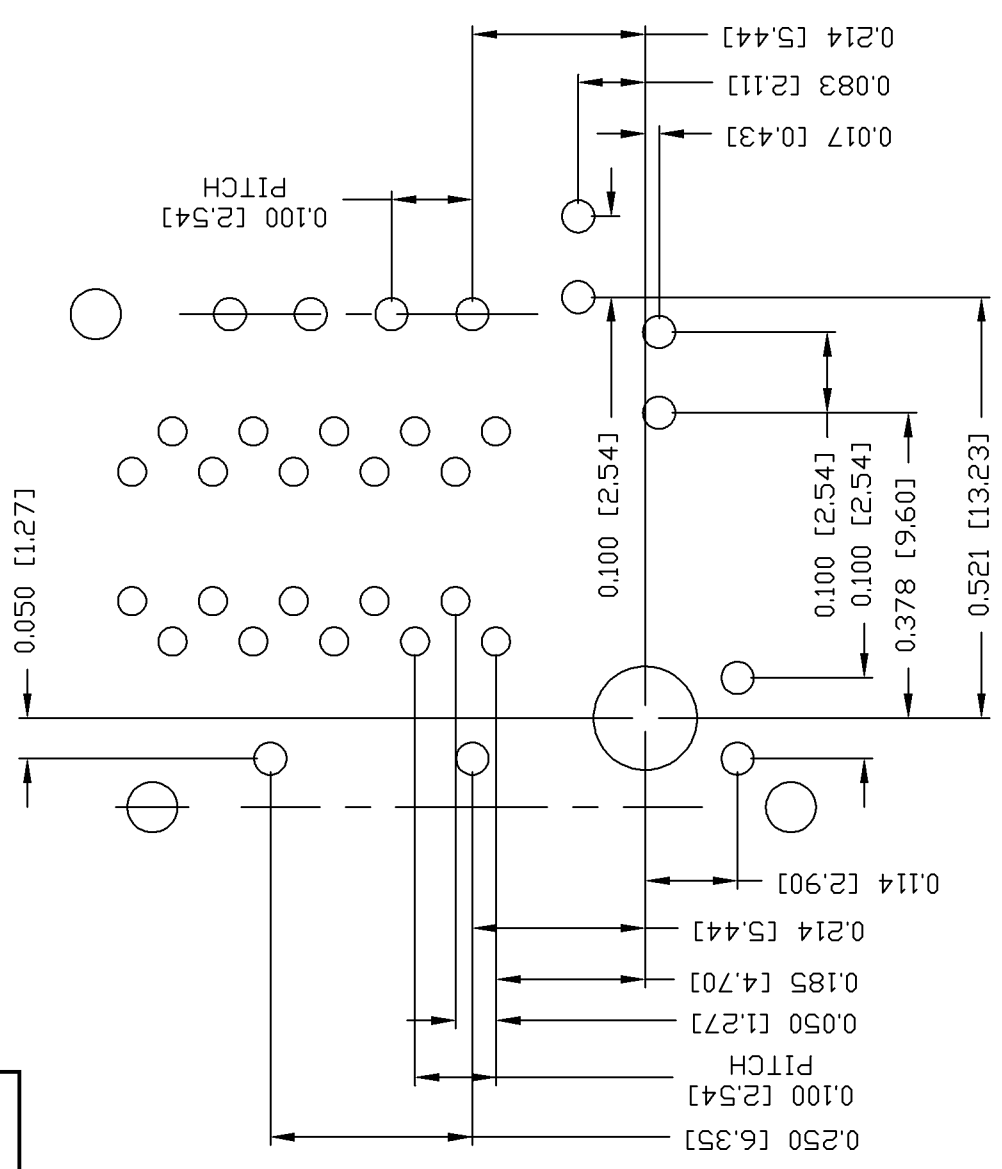
ORIGINATED BY ANTON LIAO DRAWN BY SANDY LIN	DATE 11-28-08	TITLE 2X4 gigabit MagJack® WITH UPPER AND LOWER LED (8 Cores)	PART NO. / DRAWING NO. 0879-2C4R-54 FILE NAME 0879-2C4R-54_B.DWG	STANDARD DIM. TOL. IN INCH .X .XX .XXX ±0.004	[] METRIC DIM. AS REFERENCE		
	DATE 11-28-08				UNIT : INCH [mm] N/A	REV. : B	SCALE : N/A

This document is electronically generated. This is a controlled copy if used internally





THE INFORMATION CONTAINED HEREIN IS CONSIDERED "PROPRIETARY" TO BEL FUSE INC. AND SHALL NOT BE COPIED, REPRODUCED OR DISCLOSED WITHOUT THE WRITTEN APPROVAL OF BEL FUSE INC.



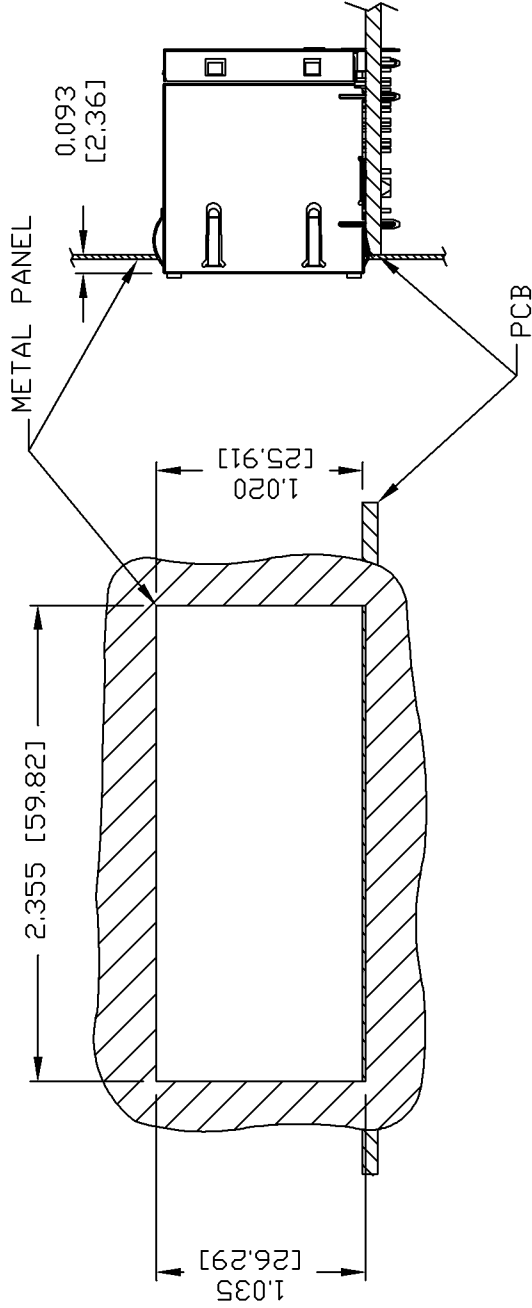
DETAIL A

ORIGINATED BY ANTON LIAD	DATE 11-28-08	TITLE 2X4 gigabit MagJack® WITH UPPER AND LOWER LED (8 Cores)	PART NO. / DRAWING NO. 0879-2C4R-54	STANDARD DIM. TOL. IN INCH .X .XX .XXX ±0.004	[] METRIC DIM. AS REFERENCE		
	DRAWN BY SANDY LIN				DATE 11-28-08	UNIT : INCH [mm]	REV. : B

This document is electronically generated. This is a controlled copy if used internally

THE INFORMATION CONTAINED HEREIN IS CONSIDERED "PROPRIETARY" TO BEL FUSE INC. AND SHALL NOT BE COPIED, REPRODUCED OR DISCLOSED WITHOUT THE WRITTEN APPROVAL OF BEL FUSE INC.

SUGGESTED PANEL OPENING



NOTE:

THE DISTANCE OF PANEL INSIDE SURFACE RELATIVE TO FRONT SURFACE OF PART IS ONLY A SUGGESTION. IN CASE THIS DISTANCE IS DIFFERENT, THE REQUIRED PANEL OPENING DIMENSIONS CHANGE ACCORDINGLY.

PACKING INFORMATION

PACKING TRAY : 0200-9999-Q1 (TOP)
0200-9999-Q2 (BOTTOM)

PACKING QUANTITY : 20 PCS FINISHED GOODS PER TRAY
7 TRAYS (140 PCS FINISHED GOODS) PER CARTON BOX

NOTE : CARDBOARDS ARE PLACED BETWEEN LAYERS OF PACKING TRAY INSIDE CARTON BOX
(INCLUDE THE UPPERMOST AND LOWERMOST TRAY)

ORIGINATED BY	DATE	TITLE	PART NO. / DRAWING NO.	STANDARD DIM.	[] METRIC DIM. AS REFERENCE
ANTON LIAD	11-28-08	2X4 gigabit MagJack® WITH UPPER AND LOWER LED (8 Cores)	0879-2C4R-54	TOL. IN INCH	UNIT : INCH [mm]
DRAWN BY	DATE		FILE NAME	.X	REV. : B
SANDY LIN	11-28-08		0879-2C4R-54_B.DWG	.XX	SCALE : N/A
				.XXX	±0.004
					⊕ - - -
					PAGE : 7

This document is electronically generated. This is a controlled copy if used internally