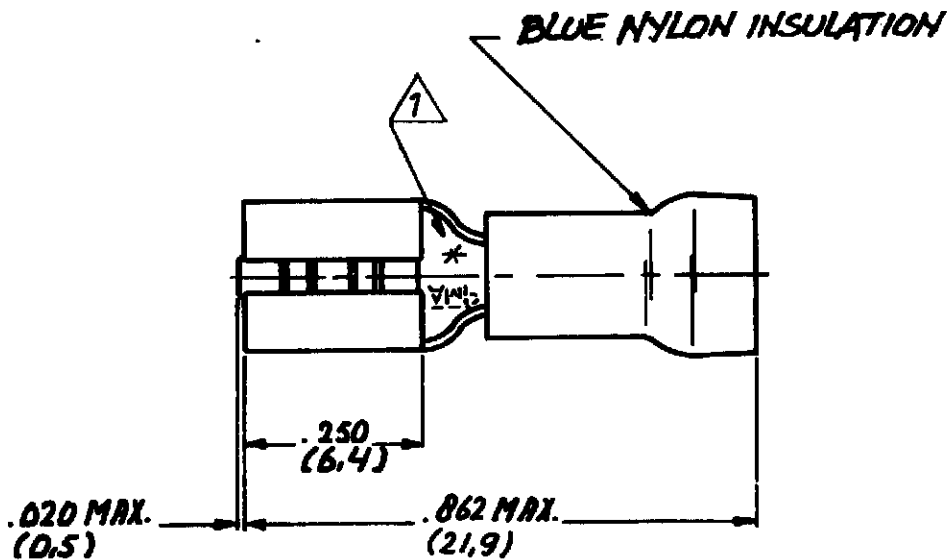


NUMBER 2-160477

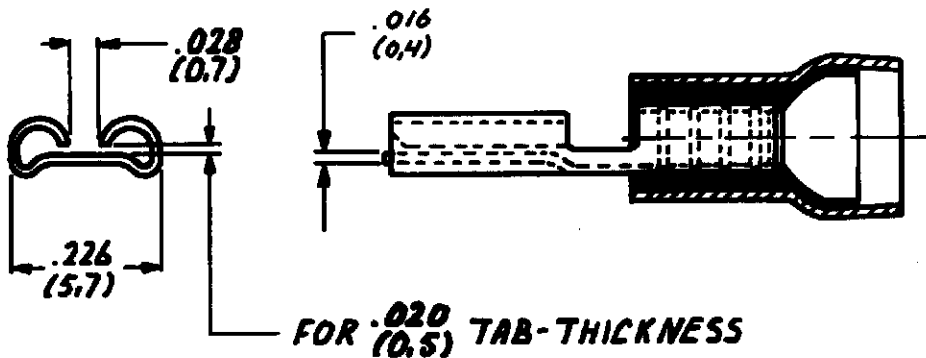
DRAWING MADE IN AMERICAN PROJECTION

REVISIONS

P	LTR	DESCRIPTION	DATE	DWN	APVD
	G1	REVISED PER ECO-17-002887	01SEP2017	RS	DR



DOC. CENTRE
23 JAN. 1992



- △ 1 ASTERISK * FOR PH.BRONZE VERSION ONLY.
- △ 2 PRELIMINARY.

DIMENSIONS IN MM. DO NOT SCALE PRINT

5-160477-7	9-160477-7 TAPE MOUNTED	
5-160477-6	9-160477-6 TAPE MOUNTED	
5-160477-4	9-160477-4 TAPE MOUNTED	
5-160477-3	9-160477-3 TAPE MOUNTED	
9-160477-7	PH. BRONZE	GOLD
9-160477-6	PH. BRONZE	SILVER
9-160477-5	PH. BRONZE	TIN
9-160477-4	BRASS	GOLD △
9-160477-3	BRASS	SILVER △
9-160477-2	BRASS	TIN

CUSTOMER COPY FOR REFERENCE ONLY

©1980 BY AMP-HOLLAND N.V. ALL RIGHTS RESERVED A-MP PRODUCTS COVERED BY PATENTS AND/OR PATENTS PENDING.



TE Connectivity

WIRE RANGE 16-24 AWG 4.0-2.6mm	INSUL. RANGE .130 MAX. DIA 3.30 mm MAX. DIA	FIRST L ^U
SCALE N.T.S.	SIZE A	NO. C-160477

REV
G1

ORDER NO.	MATERIAL	PLATING
DR RUH 5/80	DATE	DE DATE
CHK	DATE	APP DATE

NAME
187 SER. P.I D.G. FASTON RECEPTACLE

Mouser Electronics

Authorized Distributor

Click to View Pricing, Inventory, Delivery & Lifecycle Information:

[TE Connectivity:](#)

[9-160477-2](#)