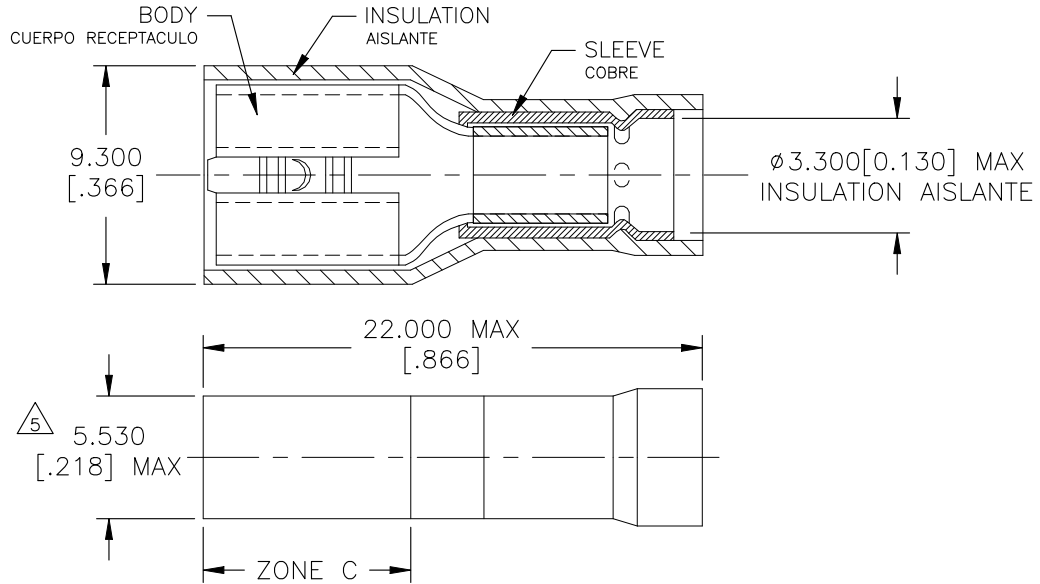


REVISIONS

P	LTR	DESCRIPTION	DATE	DWN	APVD
	F5	REVISED PER ECN-21-127537	21NOV2021	RK	CDS



NOTE:

① - FOR MANUAL TOOLING TOOL, CONSULT TE.
 PARA HERRAMIENTA MANUAL DE ENGASTE CONSULTE A TE.

② - MATERIAL:
 BODY: SEE TABLE
 SLEEVE: COPPER PER ASTM B152
 INSULATION: POLYAMIDE 6/6 (NYLON) PER ASTM D4066

MATERIAL:
 CUERPO: VER TABLA
 MANGA: COBRE POR ASTM B152
 AISLAMIENTO: POLIAMIDA 6/6 (NYLON) POR ASTM D4066

③ - FINISH:
 BODY: TIN PLATE 0.002[.000079]
 MIN EXTERNAL THICKNESS PER ASTM B545
 SLEEVE:NONE
 INSULATION: COLOR-RED

TERMINAR:
 CUERPO: HOJALATA 0.002 [.000079]
 ESPESOR MINIMO EXTERNO POR ASTM B545
 MANGA: NINGUNA
 AISLAMIENTO: COLOR-ROJO

4. WIRE RANGE: 0.300[.012] - 1.500[.059] mm² [17-16 AWG]

⑤ DIMENSION APPLIES TO ZONE C FOR A DISTANCE OF 8.730 - 8.860 [.344 - .349]

735278	LOOSE PIECE PIEZA SUELTA	100	BRASS PER ASTM B36 LATÓN POR ASTM B36	1.000[.039] - 1.500[.059] mm ² [17-16 AWG]
735278-1		100	PHOS BRONZE PER ASTM B103 LATON ESTANADO POR ASTM B103	1.000[.039] - 1.500[.059] mm ² [17-16 AWG]
PART NUMBER NÚMERO DE PIEZA	PACKAGE TYPE TIPO DE PAQUETE	QTY CANTIDAD	BODY MATL. CUERPO MATL.	① WIRE RANGE RANGO DE CABLES

TE Connectivity. All Rights Reserved.



DIMENSIONS: mm [INCHES]	DWN B. SANGANNA 18APR2018	MATERIAL	② -	FINISH	③ -
	CHK S. GURURAJ 18APR2018	 TE Connectivity			
TOLERANCES UNLESS OTHERWISE SPECIFIED:	APVD G. NIMBENNAPPA 18APR2018				
0 PLC ± -	PRODUCT SPEC	NAME RECEPTACLE PIDG FASTON ISOLATED 6.35 SERIES RECEPTACULO FASTON SERIE 6.35 AISLADO PIDG			
1 PLC ± -	APPLICATION SPEC				
2 PLC ± -	WEIGHT	SIZE	CAGE CODE	DRAWING NO	RESTRICTED TO
3 PLC ± ± 0.500[.019]		A4	00779	③-735278	-
4 PLC ± -		CUSTOMER DRAWING			
ANGLES ± -		SCALE	SHEET		REV
		NONE	1 OF 1		F5

Mouser Electronics

Authorized Distributor

Click to View Pricing, Inventory, Delivery & Lifecycle Information:

[TE Connectivity:](#)

[735278](#)