

SERIES: CFM-92B | **DESCRIPTION:** DC AXIAL FAN**FEATURES**

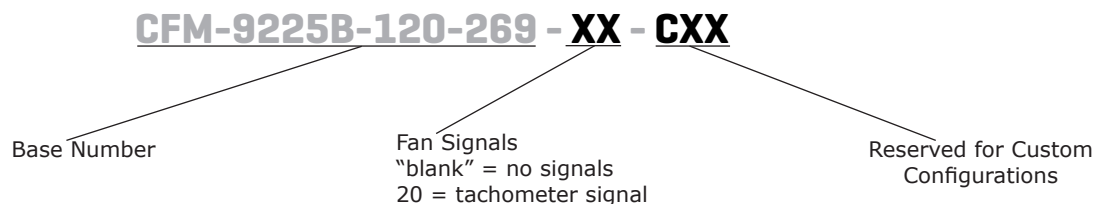
- dual ball bearing
- 92 x 92 mm frame
- multiple speed options
- tachometer signal available
- auto restart



MODEL	input voltage		input current ¹	input power ¹	rated speed ¹	airflow ²	static pressure ³	noise ⁴
	rated (Vdc)	range (Vdc)	max (A)	max (W)	typ (RPM±10%)	(CFM)	(inch H ₂ O)	typ (dBA)
CFM-9225B-120-269	12	10.8~13.2	0.09	1.08	2,000 ⁵	33.42	0.07	26.9
CFM-9225B-125-317	12	10.8~13.2	0.15	1.80	2,500	41.77	0.11	31.7
CFM-9225B-130-356	12	10.8~13.2	0.30	3.60	3,000	50.13	0.15	35.6
CFM-9225B-220-269	24	21.6~26.4	0.05	1.20	2,000 ⁵	33.42	0.07	26.9
CFM-9225B-225-317	24	21.6~26.4	0.08	1.92	2,500	41.77	0.11	31.7
CFM-9225B-230-356	24	21.6~26.4	0.15	3.60	3,000	50.13	0.15	35.6
CFM-9232B-130-398	12	10.8~13.2	0.32	3.84	3,000	61.67	0.22	39.9
CFM-9232B-140-461	12	10.8~13.2	0.52	6.24	4,000	82.23	0.40	46.2
CFM-9232B-150-509	12	10.8~13.2	0.89	10.68	5,000	102.79	0.62	51.0
CFM-9232B-230-398	24	21.6~26.4	0.15	3.60	3,000	61.67	0.22	39.9
CFM-9232B-240-461	24	21.6~26.4	0.36	8.64	4,000	82.23	0.40	46.2
CFM-9232B-250-509	24	21.6~26.4	0.53	12.72	5,000	102.79	0.62	51.0
CFM-9238B-130-410	12	10.8~13.2	0.30	3.60	3,000	57.65	0.25	41.1
CFM-9238B-140-473	12	10.8~13.2	0.54	6.48	4,000	76.86	0.44	47.3
CFM-9238B-148-523	12	10.8~13.2	0.95	11.40	4,800	92.24	0.63	52.3
CFM-9238B-230-410	24	21.6~26.4	0.17	4.08	3,000	57.65	0.25	41.1
CFM-9238B-240-473	24	21.6~26.4	0.40	9.60	4,000	76.86	0.44	47.3

- Notes:
1. At rated voltage, after 3 minutes.
 2. At rated voltage, room temperature, 65% humidity, 0 inch H₂O static pressure.
 3. At rated voltage, 0 CFM airflow.
 4. Measured in an anechoic chamber as per ISO3745/GB4214-84 at rated voltage, with background noise 20±2 dBA at 1 m from the fan intake.
 5. Typical rated speed is measured as RPM±250 at rated voltage.
 6. All specifications are measured at 25°C, 65% relative humidity unless otherwise specified.

PART NUMBER KEY



INPUT

parameter	conditions/description	min	typ	max	units
operating input voltage ⁷	12 Vdc input models	10.8	12	13.2	Vdc
	24 Vdc input models	21.6	24	26.4	Vdc
starting voltage	12 Vdc input models		7.0		Vdc
	24 Vdc input models		14.0		Vdc

Note: 7. See Model section on page 1 for specific input voltage ranges.

PERFORMANCE⁸

parameter	conditions/description	min	typ	max	units
rated speed	at rated voltage, 25°C, after 3 minutes	2,000		5,000	RPM
air flow	at 0 inch H ₂ O, see performance curves	33.42		102.79	CFM
static pressure	at 0 CFM, see performance curves	0.07		0.63	inch H ₂ O
noise	at 1 m, rated speed	26.9		52.3	dBA

Note: 8. See Model section on page 1 for specific values.

PROTECTIONS / FEATURES⁹

parameter	conditions/description	min	typ	max	units
auto restart	on all models				
polarity protection	on all models				
tachometer signal	available on "20" models				

Notes: 9. See Application Notes for details.

SAFETY & COMPLIANCE

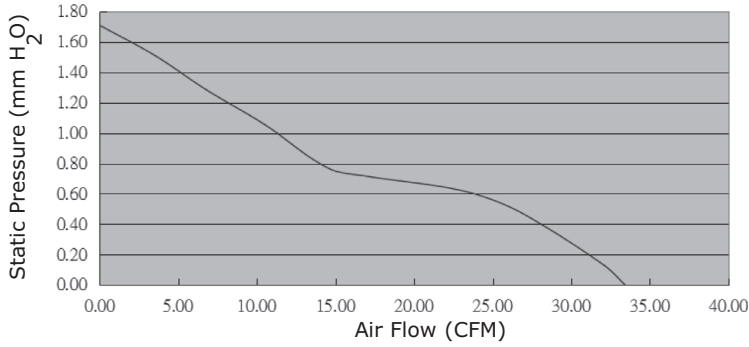
parameter	conditions/description	min	typ	max	units
insulation resistance	at 500 Vdc between frame and positive terminal	10			MΩ
dielectric strength	at 500 Vac, 60 Hz, 1 minute between housing and positive terminal			5	mA
safety approvals	UL/cUL 507, TUV (EN/IEC 62368-1:2020+A11)				
EMI/EMC	EN 55032:2015, EN 55035:2017				
life expectancy	at 40°C, 65% RH, 90% confidence level		70,000		hours
RoHS	yes				

ENVIRONMENTAL

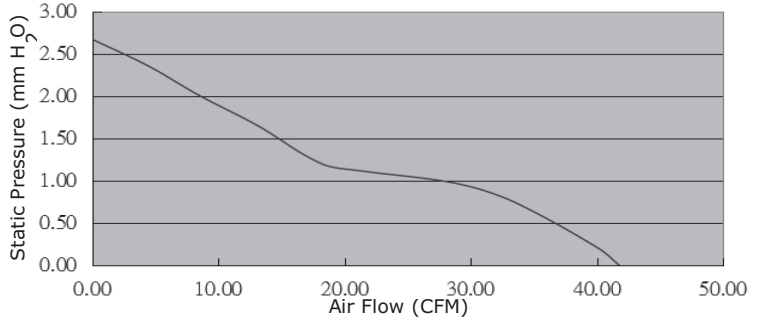
parameter	conditions/description	min	typ	max	units
operating temperature		-10		70	°C
storage temperature		-40		75	°C
operating humidity	non-condensing	35		85	%
storage humidity	non-condensing	35		85	%

PERFORMANCE CURVES

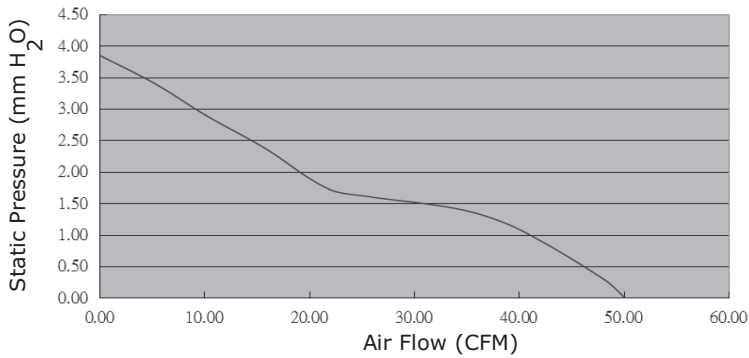
CFM-9225B-120-269



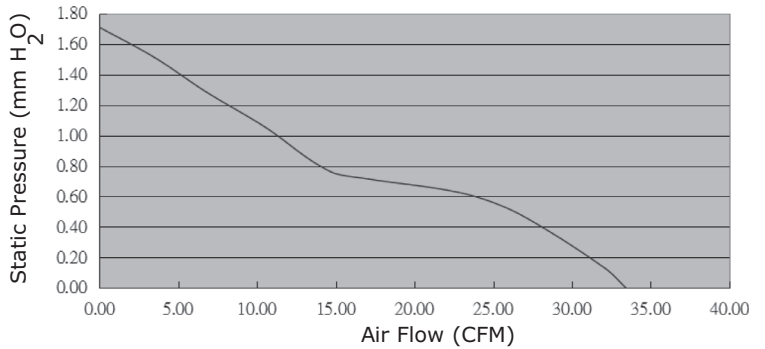
CFM-9225B-125-317



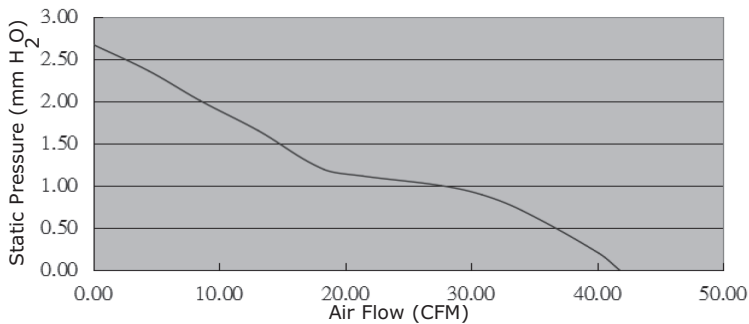
CFM-9225B-130-356



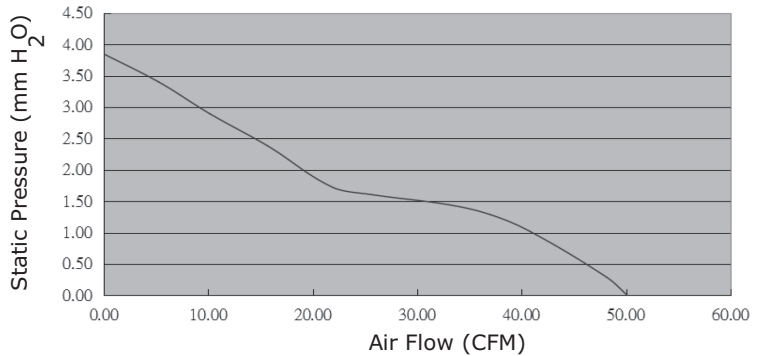
CFM-9225B-220-269



CFM-9225B-225-317

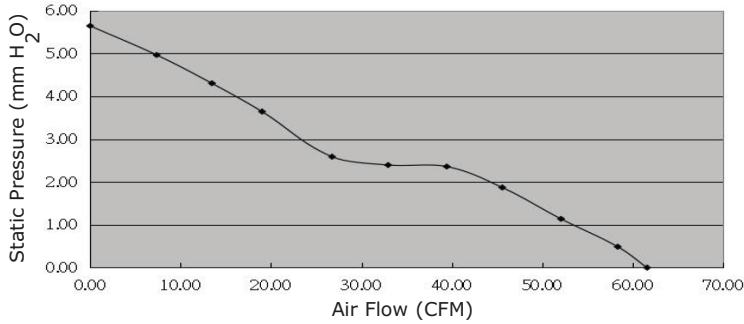


CFM-9225B-230-356

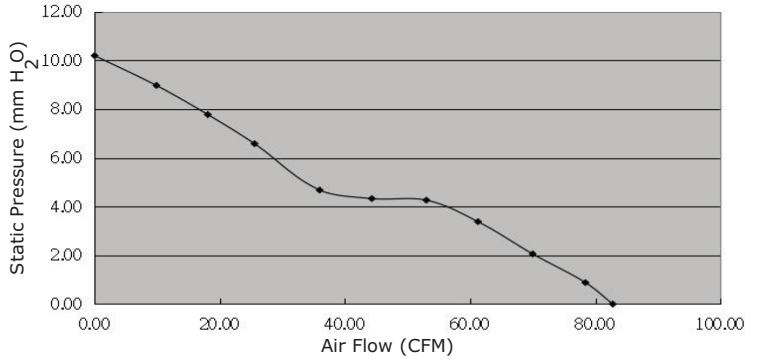


PERFORMANCE CURVES (CONTINUED)

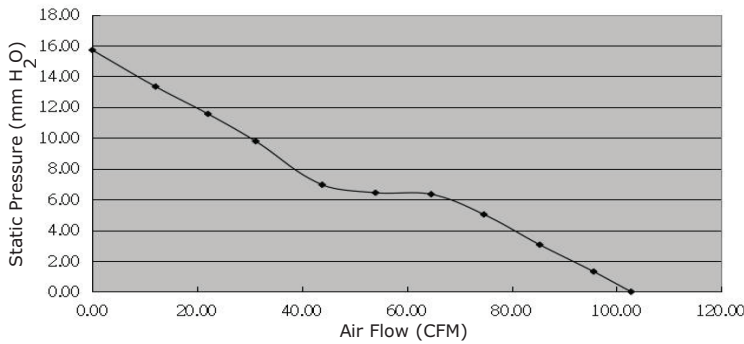
CFM-9232B-130-398



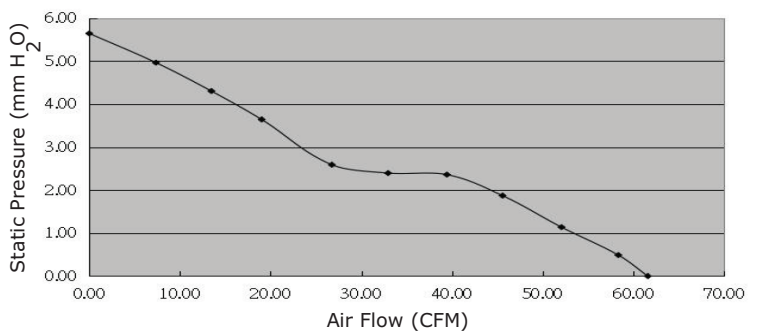
CFM-9232B-140-461



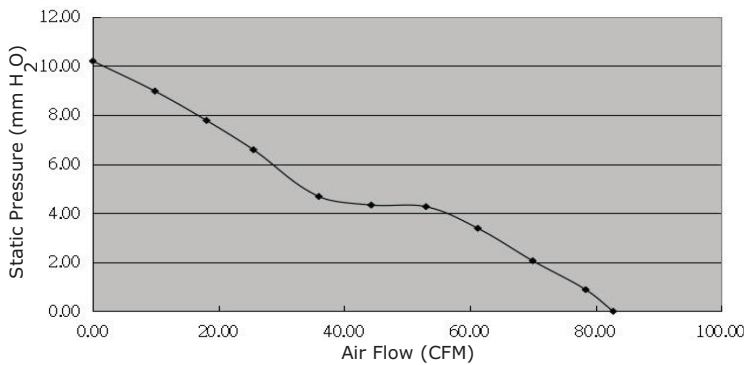
CFM-9232B-150-509



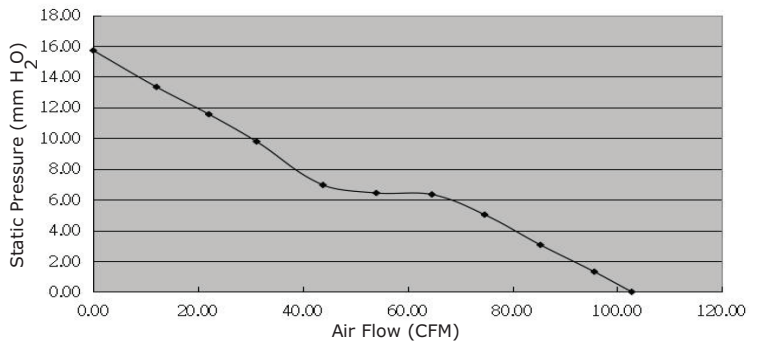
CFM-9232B-230-398



CFM-9232B-240-461

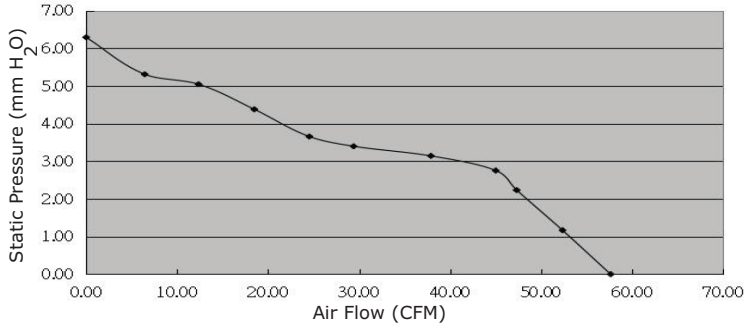


CFM-9232B-250-509

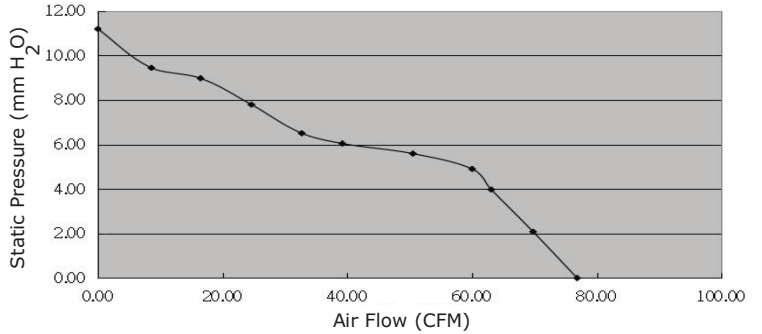


PERFORMANCE CURVES (CONTINUED)

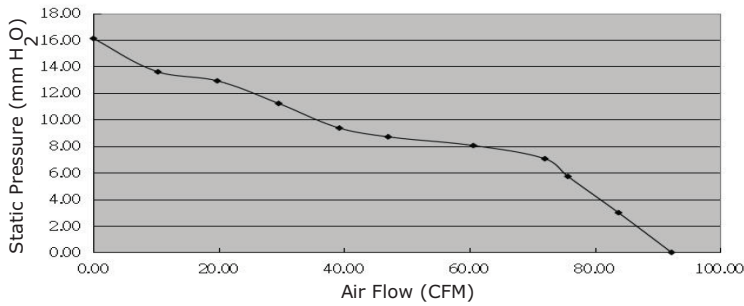
CFM-9238B-130-410



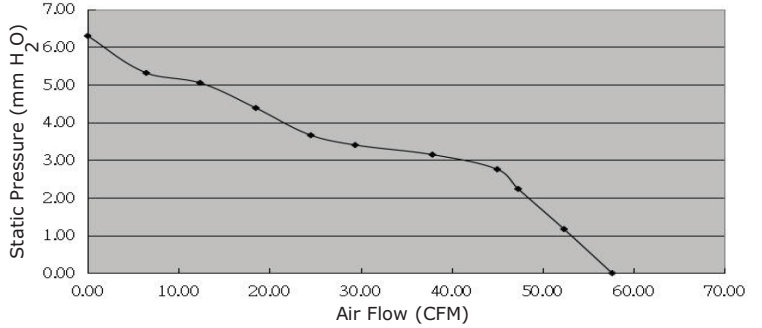
CFM-9238B-140-473



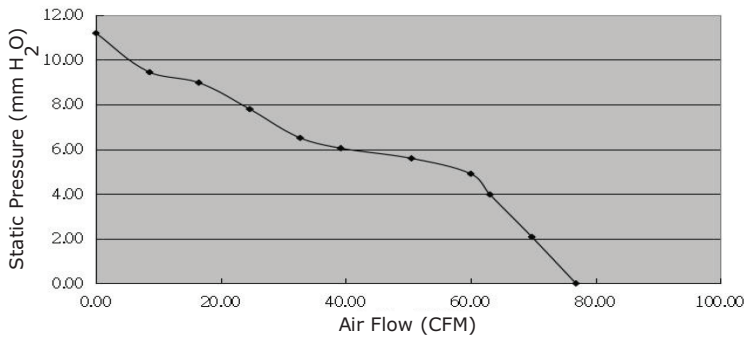
CFM-9238B-148-523



CFM-9238B-230-410



CFM-9238B-240-473



MECHANICAL

parameter	conditions/description	min	typ	max	units
motor	4 pole DC brushless				
bearing system	dual ball bearing				
direction of rotation	counter-clockwise viewed from front of fan blade				
dimensions	CFM-9225B models: 92 x 92 x 25 CFM-9232B models: 92.2 x 92.2 x 32 CFM-9238B models: 92 x 92 x 37.5				mm mm mm
material	PBT (UL94V-0)				
weight	CFM-9225B models CFM-9232B models CFM-9238B models		91.2 181.2 200		g g g

MECHANICAL DRAWING

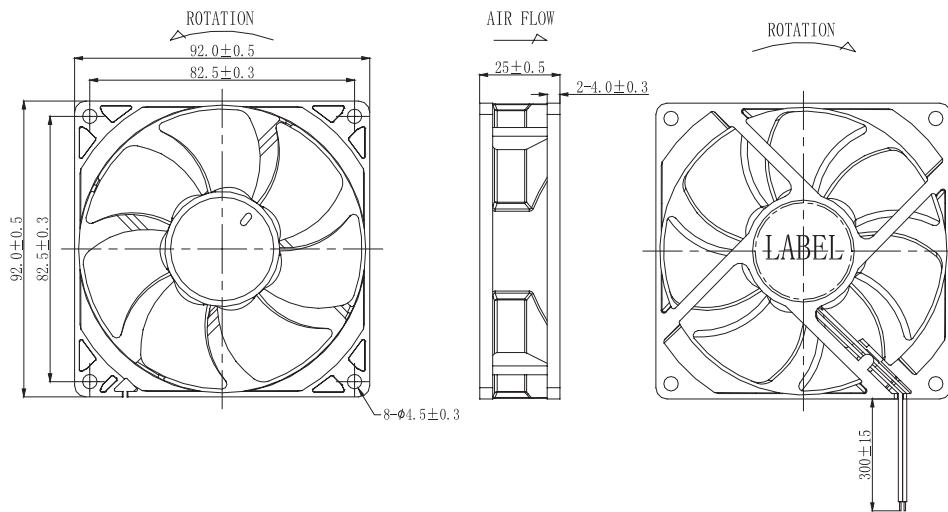
units: mm

wire: UL 1007, 24 AWG

MOUNTING SCREW (Pan Head)			
Screw Type	Size	Standard	Torque
Machine Screw	M4	JIS B1111-1974	4.5 kgf-cm
Self-tapping Screw	M5	JIS B1122 Type 2	5.5 kgf-cm

CFM-9225B

WIRE CONNECTIONS	
Wire Color	Function
Red	+Vin
Black	-Vin
Yellow ¹⁰	Tach Signal



Notes: 10. Wires only present on versions with output signals.

MECHANICAL DRAWING (CONTINUED)

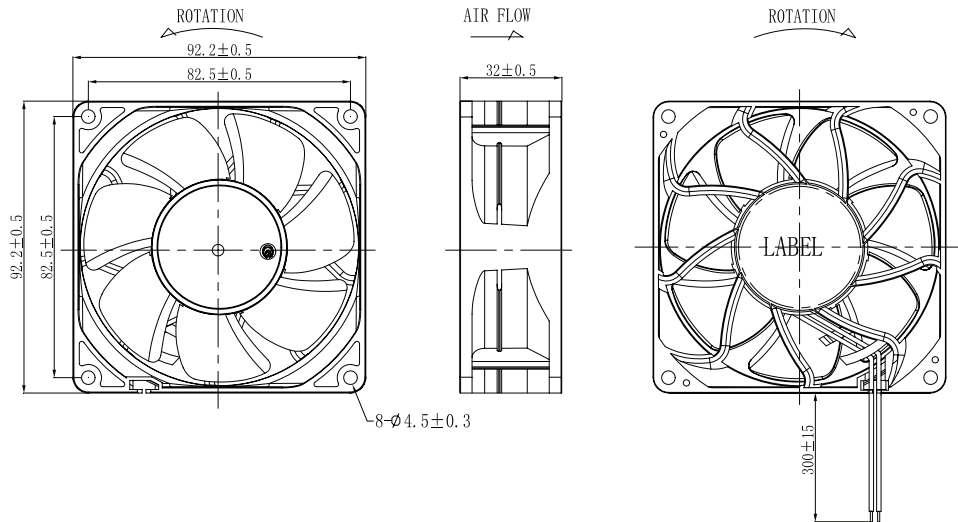
units: mm

wire: UL 1007, 24 AWG

MOUNTING SCREW (Pan Head)			
Screw Type	Size	Standard	Torque
Machine Screw	M4	JIS B1111-1974	4.5 kgf-cm
Self-tapping Screw	M5	JIS B1122 Type 2	5.5 kgf-cm

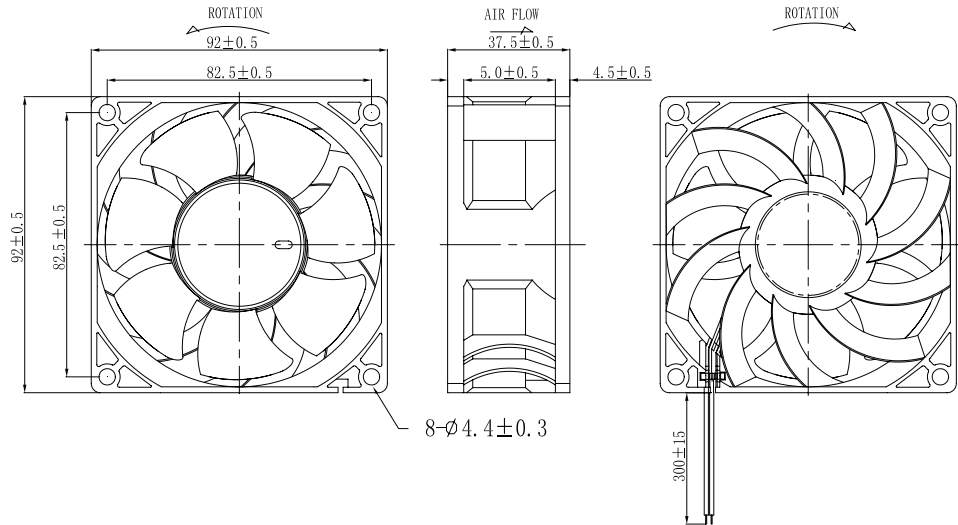
CFM-9232B

WIRE CONNECTIONS	
Wire Color	Function
Red	+Vin
Black	-Vin
Yellow ¹⁰	Tach Signal



CFM-9238B

WIRE CONNECTIONS	
Wire Color	Function
Red	+Vin
Black	-Vin
Yellow ¹⁰	Tach Signal



Notes: 10. Wires only present on versions with output signals.

APPLICATION NOTES

Auto Restart Protection

When the fan motor is locked by an external force, the device will temporarily turn off electrical power to the motor and restart automatically when the locked rotor condition is released.

Polarity Protection

Able to withstand 10 minutes of reverse polarity connection between the positive and negative wires without causing damage.

Tachometer Signal (Yellow Wire)

The tachometer signal is for detecting the rotational speed of the fan motor. The output will be a square wave when fan is operating and V_{FG} or V_{CE} depending on the locked rotor position when fan motor is locked (See Figures 1~2 below).

Figure 1: Tachometer Output Circuit

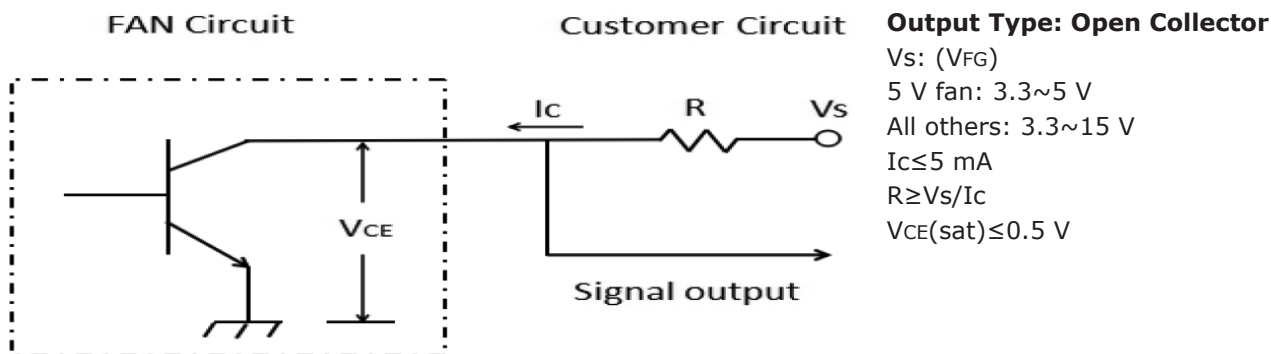
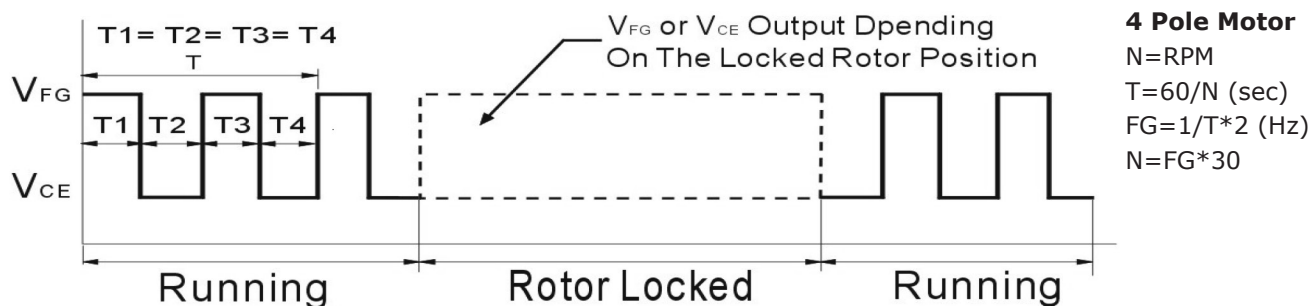


Figure 2: Tachometer Output Waveform



REVISION HISTORY

rev.	description	date
1.0	initial release	04/14/2020
1.01	added new models, updated safeties	05/12/2021

The revision history provided is for informational purposes only and is believed to be accurate.

CUI DEVICES

CUI Devices offers a one (1) year limited warranty. Complete warranty information is listed on our website.

CUI Devices reserves the right to make changes to the product at any time without notice. Information provided by CUI Devices is believed to be accurate and reliable. However, no responsibility is assumed by CUI Devices for its use, nor for any infringements of patents or other rights of third parties which may result from its use.

CUI Devices products are not authorized or warranted for use as critical components in equipment that requires an extremely high level of reliability. A critical component is any component of a life support device or system whose failure to perform can be reasonably expected to cause the failure of the life support device or system, or to affect its safety or effectiveness.

Mouser Electronics

Authorized Distributor

Click to View Pricing, Inventory, Delivery & Lifecycle Information:

CUI Devices:

[CFM-9232B-130-398](#) [CFM-9238B-140-473](#) [CFM-9238B-148-523](#) [CFM-9238B-230-410](#) [CFM-9238B-240-473](#) [CFM-9232B-140-461](#) [CFM-9232B-150-509](#) [CFM-9232B-230-398](#) [CFM-9232B-240-461](#) [CFM-9232B-250-509](#) [CFM-9238B-130-410](#) [CFM-9232B-130-398-20](#) [CFM-9232B-140-461-20](#) [CFM-9232B-150-509-20](#) [CFM-9232B-230-398-20](#) [CFM-9232B-240-461-20](#) [CFM-9232B-250-509-20](#) [CFM-9238B-130-410-20](#) [CFM-9238B-140-473-20](#) [CFM-9238B-148-523-20](#) [CFM-9238B-230-410-20](#) [CFM-9238B-240-473-20](#) [CFM-9225B-120-269](#) [CFM-9225B-120-269-20](#) [CFM-9225B-125-317](#) [CFM-9225B-125-317-20](#) [CFM-9225B-130-356](#) [CFM-9225B-130-356-20](#) [CFM-9225B-220-269](#) [CFM-9225B-220-269-20](#) [CFM-9225B-225-317](#) [CFM-9225B-225-317-20](#) [CFM-9225B-230-356](#) [CFM-9225B-230-356-20](#)