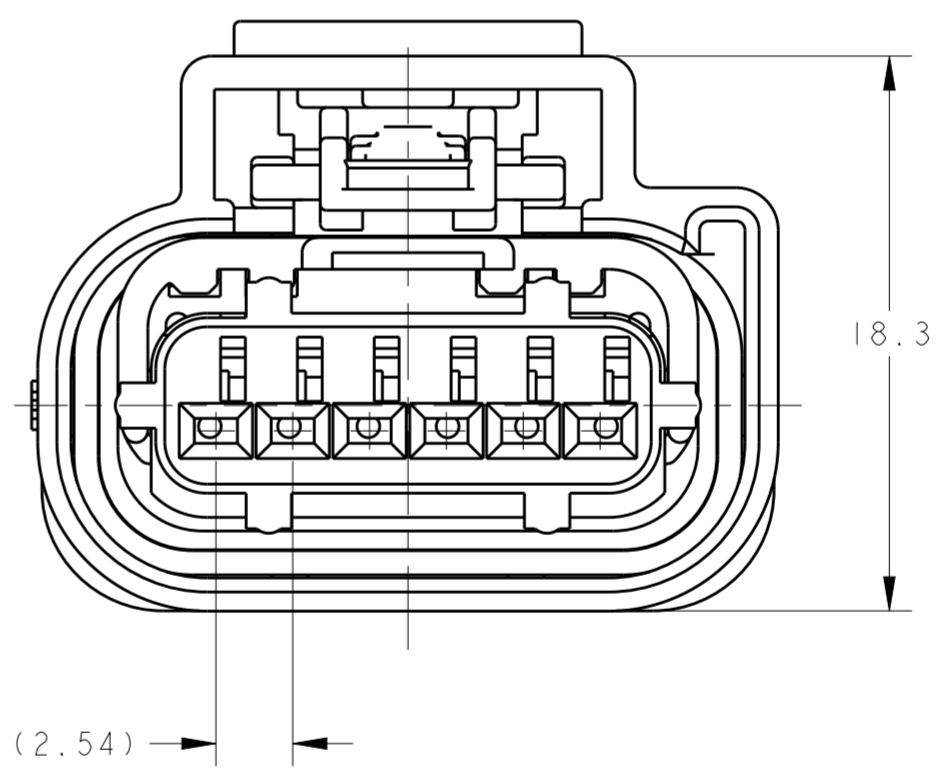
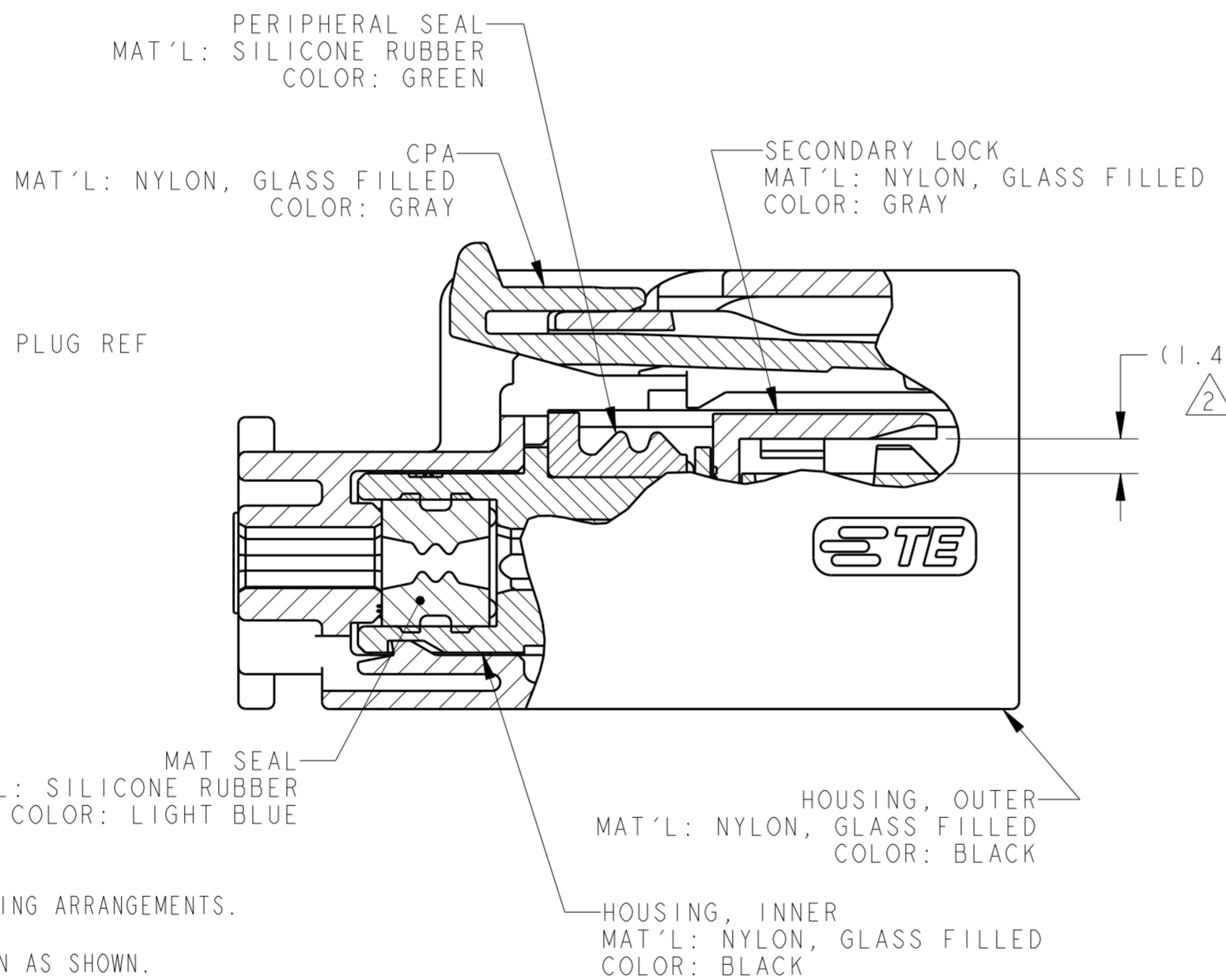
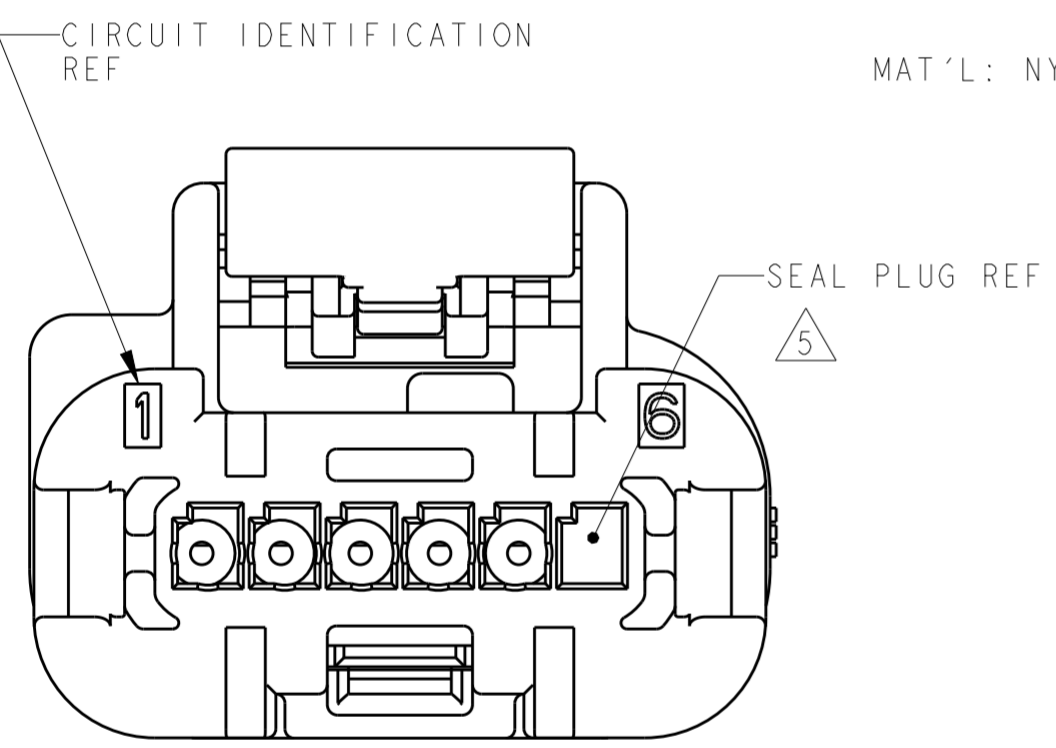
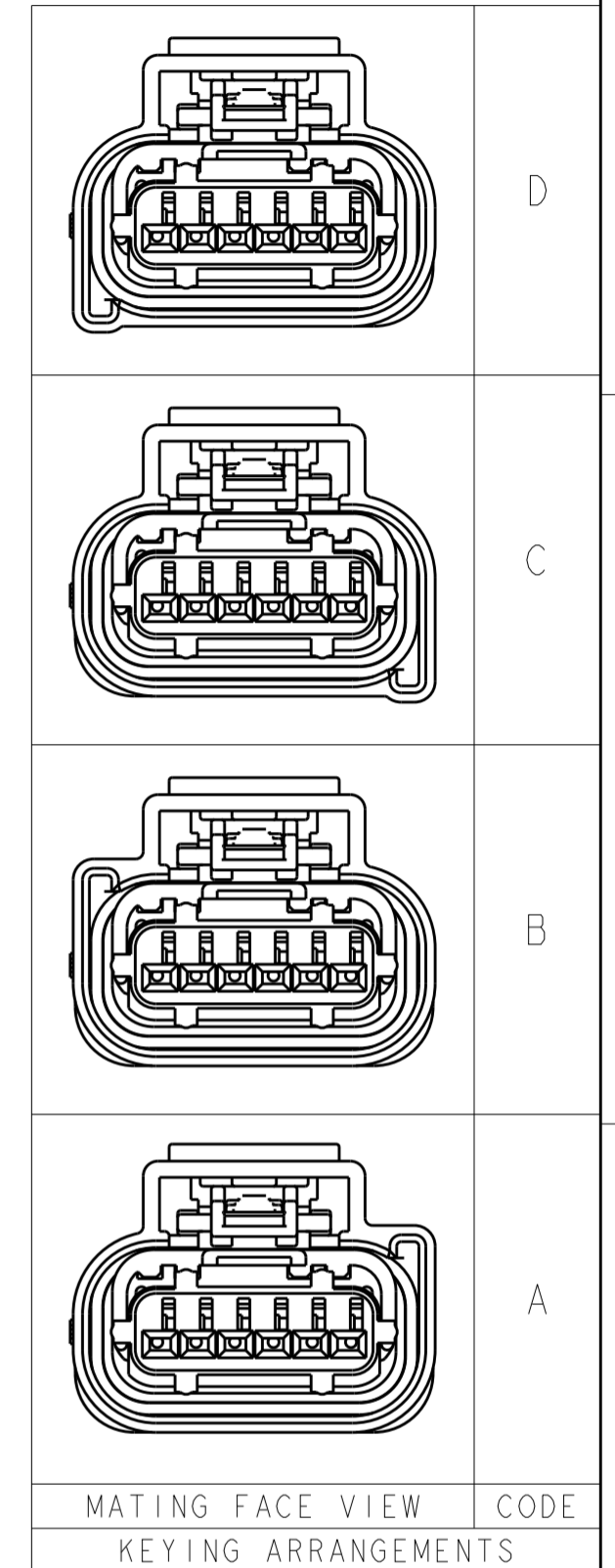
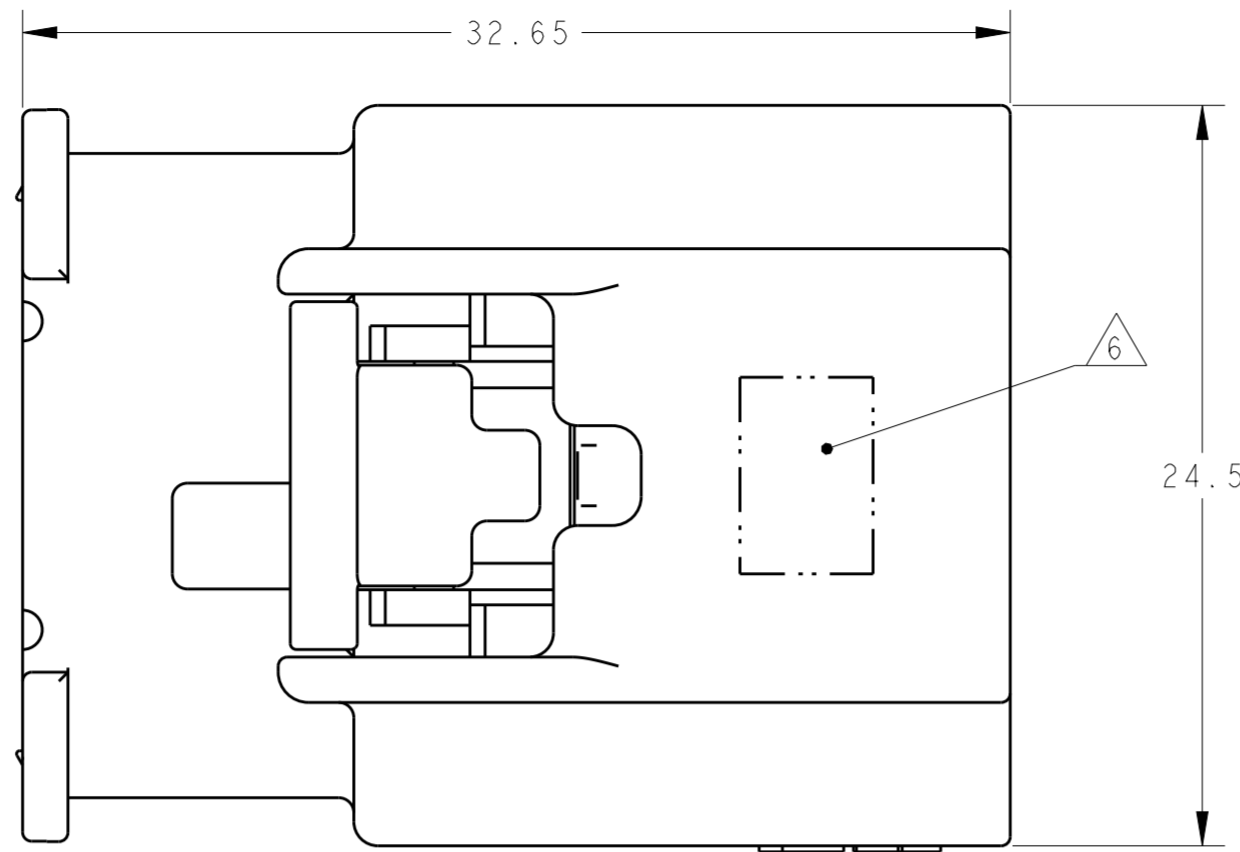


THIS DRAWING IS UNPUBLISHED. RELEASED FOR PUBLICATION 20
 © COPYRIGHT 20 BY - ALL RIGHTS RESERVED.

| REVISIONS | | | | |
|-----------|-----|---------------------------|-----------|----------|
| P | LTR | DESCRIPTION | DATE | APVD |
| A1 | | REVISED PER ECO-15-013274 | 16SEP2015 | DL D SLM |
| A2 | | REVISED PER ECO-15-016608 | 09DEC2015 | DL D DCM |
| A3 | | REVISED PER ECO-17-015604 | 01NOV2017 | JMS CM |
| A4 | | REV PER ECO-18-005591 | 12APR2018 | JMS SI |

| | | |
|-------------|----------------|-------------|
| ●●●●●● | 1-2272975-2 | |
| ○●●●●○ | 1-2272975-1 | |
| ●○●○●○ | 1-2272975-0 | |
| ●●●○●○ | 2272975-9 | |
| ○●○●○● | 2272975-8 | |
| ●○●○●○ | 2272975-7 | |
| ○●○●○● | 2272975-6 | |
| ○●○●○● | 2272975-5 | |
| ○●○●○● | 2272975-4 | NOT TOOLED |
| ○●○●○● | 2272975-3 | NOT TOOLED |
| ○●○●○● | 2272975-2 | |
| ○●○●○● | 2272975-1 | |
| 1 2 3 4 5 6 | CIRCUIT NUMBER | PART NUMBER |

CIRCUIT PIN-OUT
 ● INDICATES CLOSED CIRCUIT
 ○ INDICATES OPEN CIRCUIT



- 2272975-1 SHOWN. SEE TABLE FOR ADDITIONAL KEYING ARRANGEMENTS.
- 2 SECONDARY LOCK SHIPPED IN PRE-LATCHED POSITION AS SHOWN.
3. PLUG ACCEPTS MCON 1.2mm CLEAN BODY FEMALE CONTACTS FOR WIRE RANGE WITH Ø1.2 - 1.9 INSULATION.
4. FOR OPTIONAL WIRE DRESS SEE DRAWING 2272976.
- 5 CLOSED CIRCUIT SHOWN FOR REFERENCE. SEE CIRCUIT PIN-OUT TABLE FOR CIRCUIT AVAILABILITY.
- 6 PART NUMBER AND DATE CODE MARKED IN APPROXIMATE AREA SHOWN.
7. MATING INTERFACE SHOWN ON USCAR DRAWING, 120-S-006-1-Z03.
8. REFERENCE TE INSTRUCTION SHEET 408-32106.
- 9 SHIPPING CAP. ALL CIRCUITS CLOSED ON OUTER HOUSING. ASSEMBLY DOES NOT INCLUDE SECONDARY LOCK OR CPA

| KEYING CODE | PART NUMBER |
|-------------|--------------------------|
| A | 1-2272975-2 ⁹ |
| A | 1-2272975-1 |
| A | 1-2272975-0 |
| A | 2272975-9 |
| A | 2272975-8 |
| A | 2272975-7 |
| A | 2272975-6 |
| A | 2272975-5 |
| D | 2272975-4 |
| C | 2272975-3 |
| B | 2272975-2 |
| A | 2272975-1 |

NOT TOOLED
 NOT TOOLED

THIS DRAWING IS A CONTROLLED DOCUMENT.

| | | | |
|-----------------------|--|------------------------------|--|
| DIMENSIONS: mm | TOLERANCES UNLESS OTHERWISE SPECIFIED: | DWN: D. DRUMMOND 22SEP2014 | TE Connectivity PLUG ASSEMBLY, 6 POSITION, 1.2mm MCON |
| | 0 PLC ± | CHK: S. MANKARYOS 22SEP2014 | |
| | 1 PLC ±0.2 | APVD: S. MANKARYOS 22SEP2014 | |
| | 2 PLC ±0.20 | PRODUCT SPEC | NAME |
| | 3 PLC ± | APPLICATION SPEC | SIZE CAGE CODE DRAWING NO |
| | 4 PLC ± | WEIGHT | A200779 C-2272975 |
| MATERIAL: SEE CALLOUT | ANGLES FINISH | CUSTOMER DRAWING | RESTRICTED TO |

SCALE 4:1 SHEET 1 OF 1 REV A4