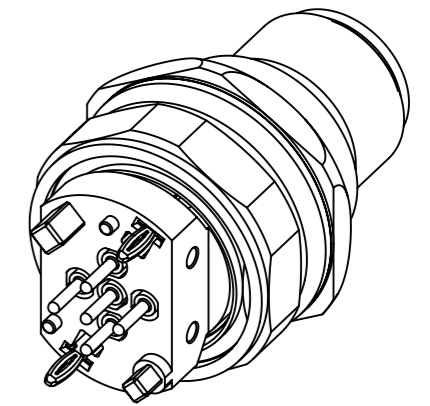
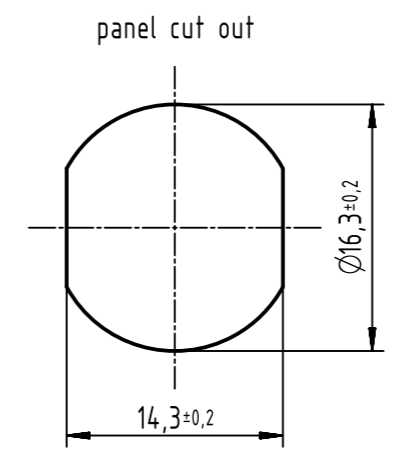
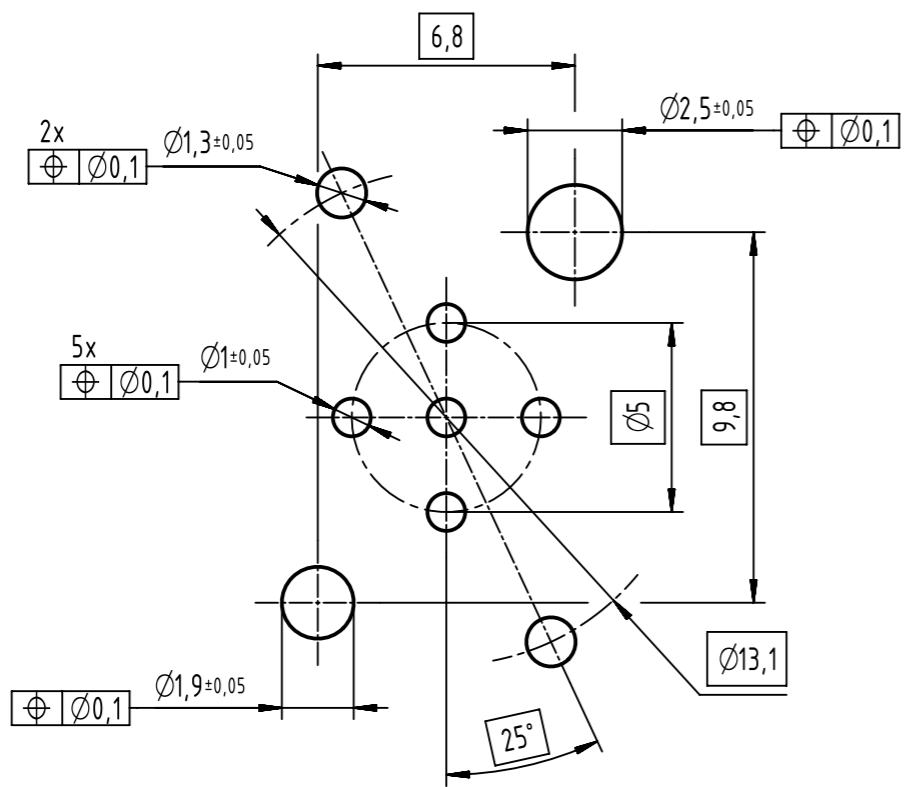
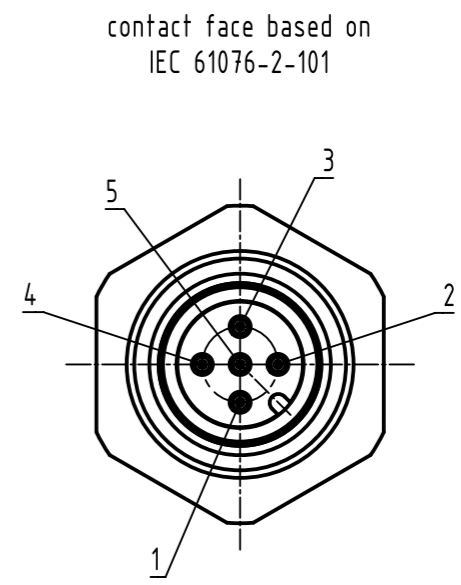
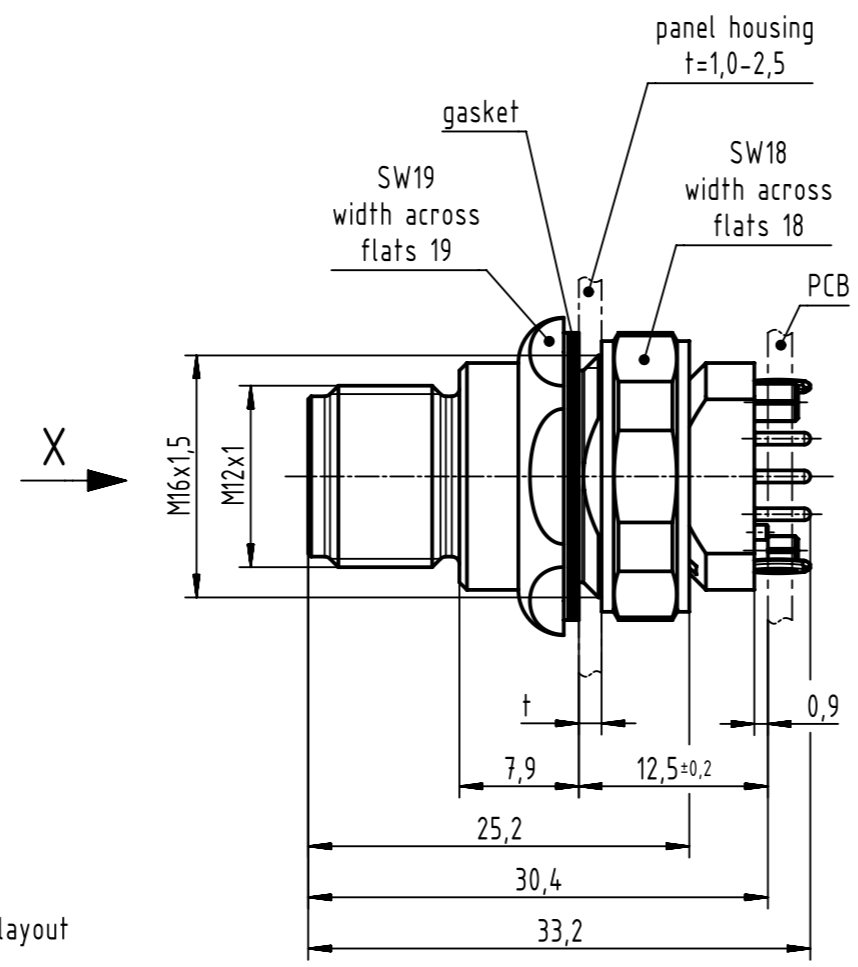


X (5:1)
recommended PCB-layout



- 1 pcs. single package

	All Dimensions in mm Original Size DIN A3		Scale 2:1	Free size tol.		Ref.	
	All rights reserved Department EC PD - DE		Created by STORCK	Inspected by WELLMANN	Standardisation KOHLER	Date 2015-08-04	State Final Release
HARTING Electronics GmbH D-32339 Espelkamp		Title HARTING M12 PCB receptacle male A-coded 5-pole front				Doc-Key / ECM-Nr. 100569733/UGD/000/C 50000092599	
		Type TB	Number 21033211531		Rev. C	Page 1/1	