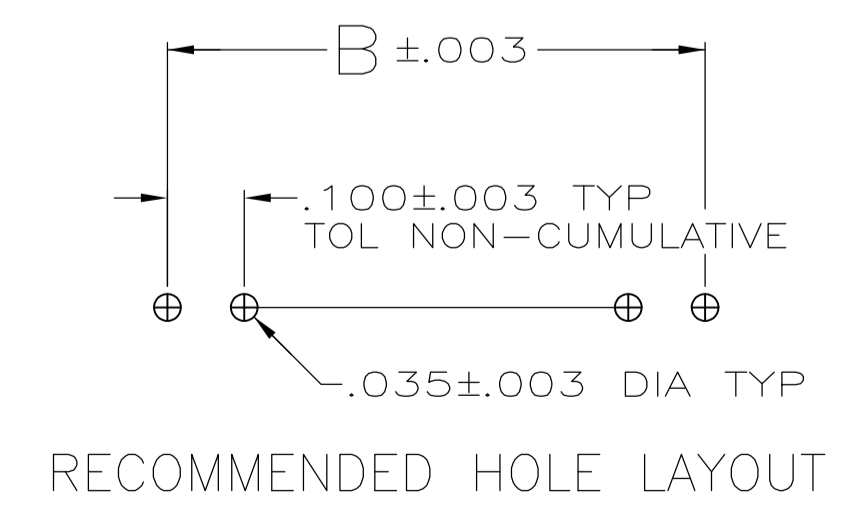


- 1 TRUE POSITION TOLERANCE OF THE POST TIPS APPLIES WHEN THE HEADERS ARE HELD FLAT AGAINST THE PRINTED CIRCUIT BOARD
- 2 ASSEMBLY MAY BE BROKEN TO THE DESIRED NUMBER OF POSITIONS
- 3 PACKAGE IN SINGLE TUBES
- 4 .000100-.000200 MATTE TIN-LEAD OVER .000050 NICKEL.
- 5 .000100-.000200 BRIGHT TIN OVER .000050 NICKEL.
- 6 PRELIMINARY PART - NOT RELEASED FOR PRODUCTION.
- 7 HOUSING MATERIAL: FLAME RETARDANT THERMOPLASTIC; COLOR-BLACK.
- 8 OBSOLETE PARTS: OBSOLETE CIS STREAMLINING PER D.RENAUD/D.SINISI



PLATING	REMARKS	C	B	A	NO OF POSN	PART NUMBER
	OBSOLETE	5			4	5-103321-3
		5	6		13	5-103321-2
		5	6		11	5-103321-1
		5	6		10	5-103321-0
		5	6		8	4-103321-9
		5			39	4-103321-8
		5			40	4-103321-8
		5			15	4-103321-7
		5			7	4-103321-6
		5			2	4-103321-5
		5			3	4-103321-5
		5			1	4-103321-4
		5	6		2	4-103321-4
		5	6		1	4-103321-3
	SUPERSEDED BY 1-103321-4		3	1.384	13	4-103321-2
	SUPERSEDED BY 103321-3		3	.284	2	4-103321-1
		4		3.984	39	4-103321-0
		4		3.884	38	3-103321-9
		4		3.784	37	3-103321-8
		4		3.684	36	3-103321-7
		4		3.584	35	3-103321-6
		4		3.484	34	3-103321-5
		4		3.384	33	3-103321-4
		4		3.284	32	3-103321-3
		4		3.184	31	3-103321-2
		4		3.084	30	3-103321-1
		4		2.984	29	3-103321-0
		4		2.884	28	2-103321-9
		4		2.784	27	2-103321-8
		4		2.684	26	2-103321-7
		4		2.584	25	2-103321-6
		4		2.484	24	2-103321-5
		4		2.384	23	2-103321-4
		4		2.284	22	2-103321-3
		4		2.184	21	2-103321-2
		4		2.084	20	2-103321-1
	SUPERSEDED BY 7-146274-0	4		1.984	19	2-103321-0
		4		1.884	18	1-103321-9
		4		1.784	17	1-103321-8
		4		1.684	16	1-103321-7
		4		1.584	15	1-103321-6
		4		1.484	14	1-103321-5
		4		1.384	13	1-103321-4
		4		1.284	12	1-103321-3
		4		1.184	11	1-103321-2
		4		1.084	10	1-103321-1
		4		.984	9	1-103321-0
		4		.884	8	103321-9
		4		.784	7	103321-8
		4		.684	6	103321-7
		4		.584	5	103321-6
		4		.484	4	103321-5
		4		.384	3	103321-4
		4		.284	2	103321-3
		4		.184	1	103321-2
		4		.084	1	103321-1

THIS DRAWING IS A CONTROLLED DOCUMENT.

DIMENSIONS: INCHES. TOLERANCES UNLESS OTHERWISE SPECIFIED:

0. PLC	± -
1. PLC	± -
2. PLC	± -
3. PLC	± .005
4. PLC	± -
ANGLES	± -

MATERIAL: POST: COPPER ALLOY. FINISH: SEE TABLE.

APPROVED: J. MARTINELLI, JOHN KNITTLE, B. FLINCHBAUGH.

DATE: 15OCT92, 23NOV92, 23NOV92.

NAME: ASSEMBLY, HEADER, BREAKAWAY, MOD II, SINGLE ROW, .100 C/L, VERTICAL, WITH .025 SQUARE POSTS.

APPLICATION SPEC: -

SIZE: A1. CAGE CODE: 00779. DRAWING NO: 103321.

WEIGHT: -

CUSTOMER DRAWING. SCALE: 4:1. SHEET: 1 OF 1. REV: R.

Mouser Electronics

Authorized Distributor

Click to View Pricing, Inventory, Delivery & Lifecycle Information:

[TE Connectivity:](#)

[4-103321-5](#)