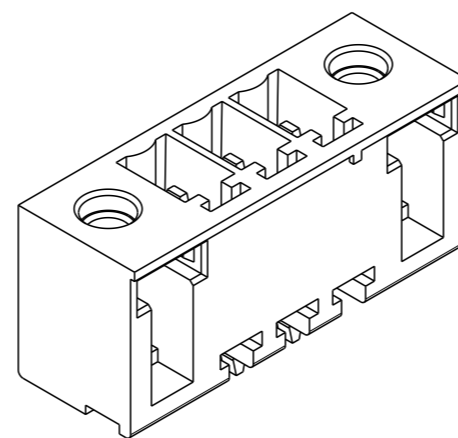
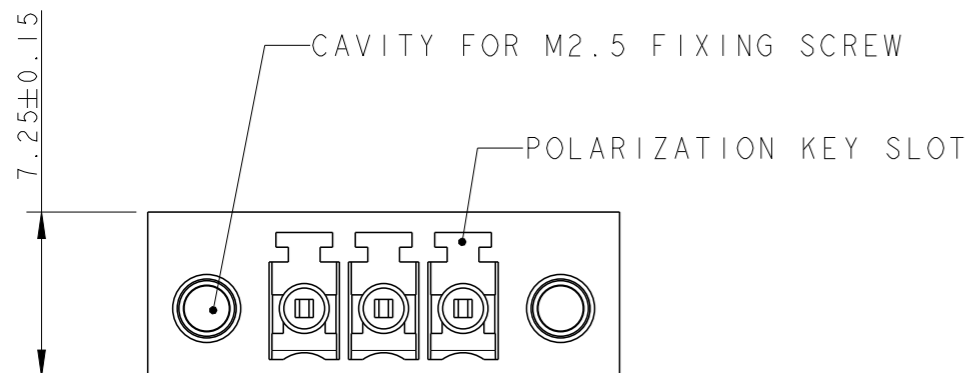
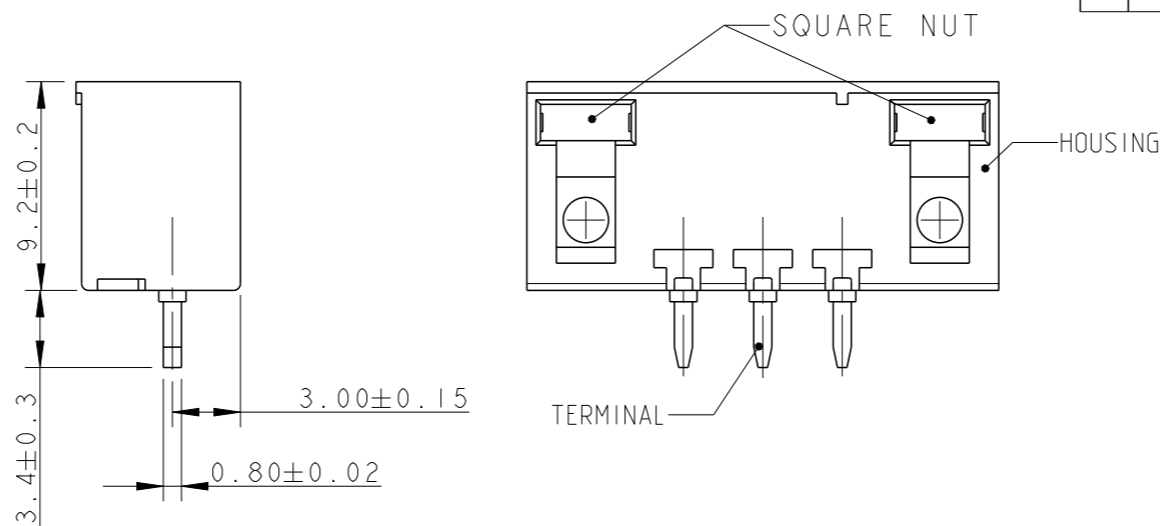
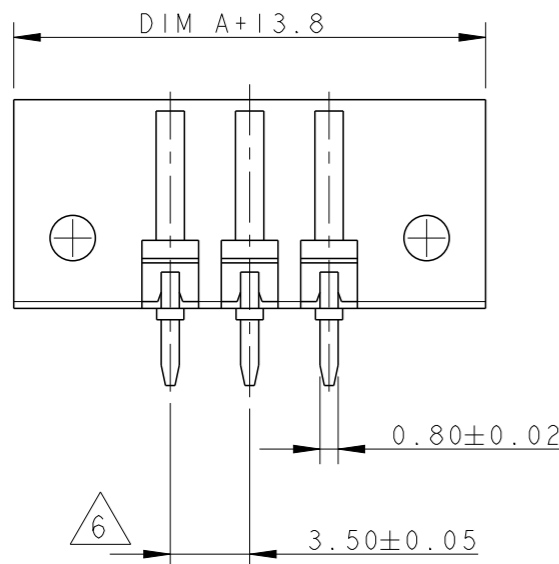


THIS DRAWING IS UNPUBLISHED. RELEASED FOR PUBLICATION 20  
 © COPYRIGHT 20 BY - ALL RIGHTS RESERVED.

REVISIONS

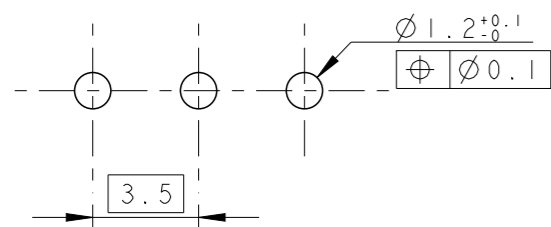
P	LTR	DESCRIPTION	DATE	DWN	APVD
	B2	SQUARE NUT PART INFORMATION ADDED	11MAY2018	RK	PS




284516-3 AS SHOWN

OBSOLETE	77.0	23	<del>2-284516-3</del>
	73.5	22	<del>2-284516-2</del>
	70.0	21	<del>2-284516-1</del>
	66.5	20	<del>2-284516-0</del>
	63.0	19	<del>1-284516-9</del>
	59.5	18	<del>1-284516-8</del>
	56.0	17	1-284516-7
OBSOLETE	52.5	16	<del>1-284516-6</del>
	49.0	15	<del>1-284516-5</del>
	45.5	14	<del>1-284516-4</del>
	42.0	13	<del>1-284516-3</del>
	38.5	12	1-284516-2
	35.0	11	1-284516-1
	31.5	10	1-284516-0
	28.0	9	284516-9
	24.5	8	284516-8
	21.0	7	284516-7
	17.5	6	284516-6
	14.0	5	284516-5
	10.5	4	284516-4
	7.0	3	284516-3
	3.5	2	284516-2
	DIM A	NO OF POS	PART NUMBER

RECOMMENDED PC BOARD LAYOUT



THIS DRAWING IS A CONTROLLED DOCUMENT.		DWN 06FEB2002 EZ	 TE Connectivity			
DIMENSIONS: mm		CHK 06FEB2002 E. ZANOLINI				
TOLERANCES UNLESS OTHERWISE SPECIFIED:		APVD 06FEB2002 D. BIEVENOUR	NAME TERMINAL BLOCK, HEADER ASSEMBLY STRAIGHT, 3.5mm PITCH WITH THREADED FLANGE			
0 PLC ±- 1 PLC ±0.3 2 PLC ±0.25 3 PLC ±- 4 PLC ±- ANGLES ±2		PRODUCT SPEC	SIZE	CAGE CODE	DRAWING NO	RESTRICTED TO
MATERIAL SEE NOTES		FINISH SEE NOTES	WEIGHT	A300779	C-284516	-
CUSTOMER DRAWING		SCALE 3:1	SHEET 1 OF 2	REV B2		

THIS DRAWING IS UNPUBLISHED.

RELEASED FOR PUBLICATION

20

© COPYRIGHT 20 BY -

ALL RIGHTS RESERVED.


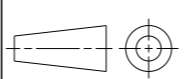
REVISIONS

P	LTR	DESCRIPTION	DATE	DWN	APVD
	-	SEE SHEET 1	-	-	-

NOTES:

- MATERIALS AND FINISH  
HOUSING : PA 6.6, UL 94-V0, COLOR GREEN  
TERMINAL : PHOSPHOR BRONZE, TIN PLATED  
SQUARE NUT : BRASS, NICKEL PLATED.
- MECHANICAL  
MAX. INSERTION FORCE PER POLE : 3.0 N  
MIN. WITHDRAWAL FORCE PER POLE : 1.5 N  
MIN. PC BOARD HOLES DIAMETER : 1.2 mm  
MAX. PC BOARD THICKNESS : 2.4 mm
- ELECTRICAL  
WIRE RANGE : 14-30 AWG  
MAX. VOLTAGE : 300 V  
MAX CURRENT : 11 A  
CONTACT RESISTANCE : <15 m Ohm  
INSULATION RESISTANCE : >1000 M Ohm (500V DC)
- OPERATING TEMPERATURE RANGE: -40°C TO +110°C
- CONNECTOR ASSEMBLY INCLUDED 2 SQUARE NUTS  
LOADED IN CAVITY

△ 6 NOT CUMULATIVE TOLERANCE

THIS DRAWING IS A CONTROLLED DOCUMENT.		DWN EZ	06FEB2002	 <b>TE Connectivity</b>	
DIMENSIONS: mm		CHK E. ZANOLINI	06FEB2002		
TOLERANCES UNLESS OTHERWISE SPECIFIED:		APVD D. BIEVENOUR	06FEB2002	NAME TERMINAL BLOCK, HEADER ASSEMBLY STRAIGHT, 3.5mm PITCH WITH THREADED FLANGE	
		PRODUCT SPEC		RESTRICTED TO	
0 PLC ± 1 PLC ±0.3 2 PLC ±0.25 3 PLC ± 4 PLC ± ANGLES ±2		APPLICATION SPEC		SIZE A300779	CAGE CODE C-284516
MATERIAL SEE NOTES		WEIGHT -		DRAWING NO	
FINISH SEE NOTES		CUSTOMER DRAWING		SCALE 3:1	SHEET 2 OF 2
				REV B2	

# Mouser Electronics

Authorized Distributor

Click to View Pricing, Inventory, Delivery & Lifecycle Information:

[TE Connectivity:](#)

[284516-2](#)