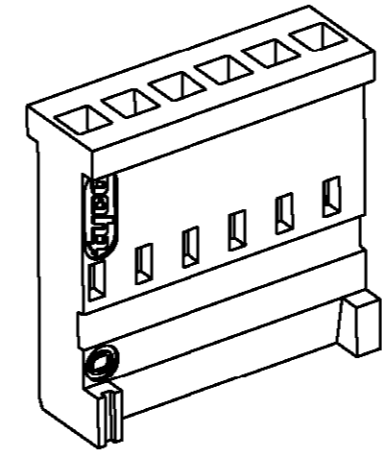
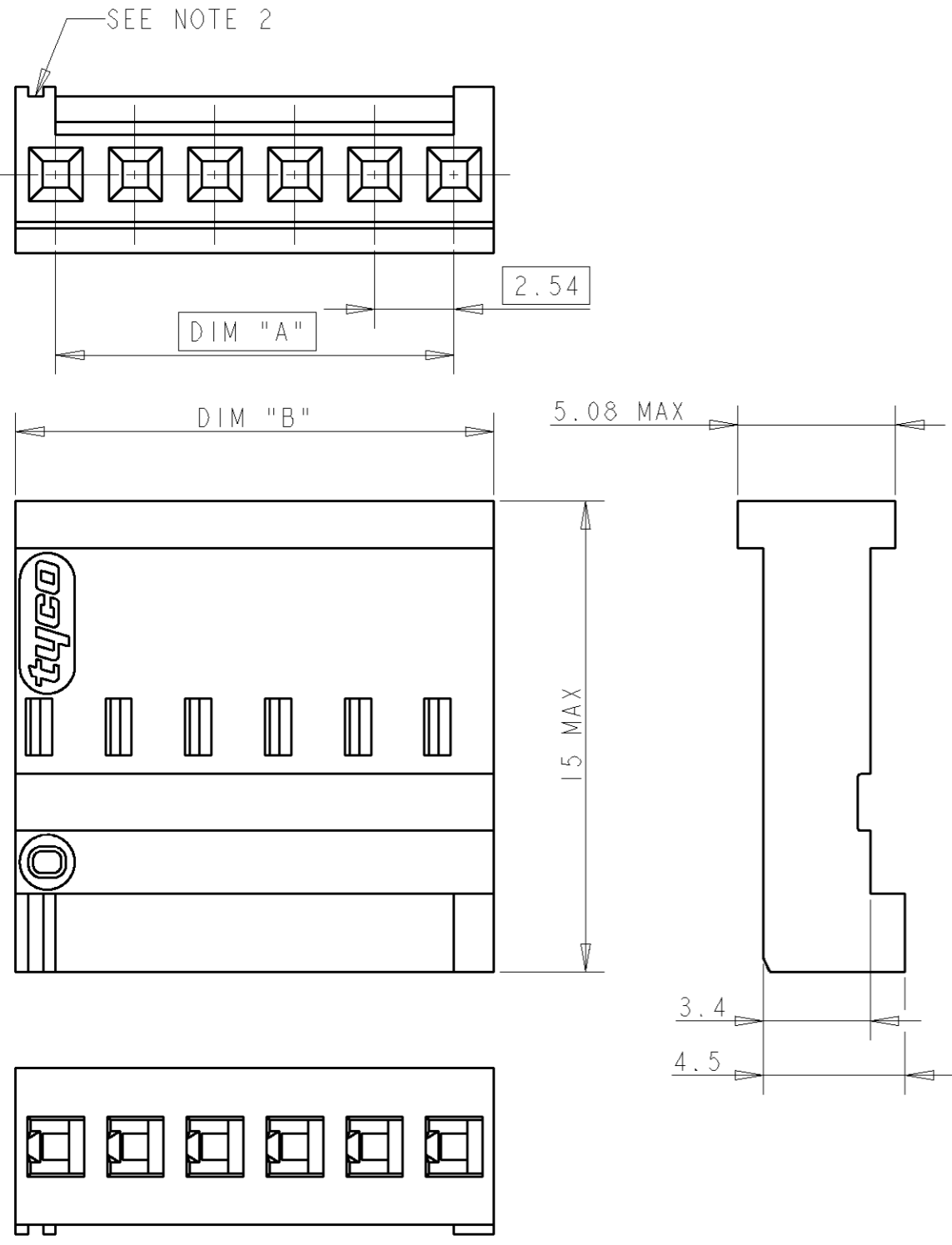


THIS DRAWING IS UNPUBLISHED.
 DIFFUSION RESTREINTE
 © COPYRIGHT

RELEASED FOR PUBLICATION
 LIBRE A LA DIFFUSION
 ALL RIGHTS RESERVED.
 TOUS DROITS RESERVES

| LOC | DIST | REVISIONS | | | |
|-----|---------|------------------------------|---------|-----------|-----------|
| P | LTR REV | DESCRIPTION MODIFICATIONS | DATE | DWN DESS. | APVD APP. |
| F | 00 | B1 REVISED PER ECO-11-005150 | 19APR11 | RK | HMR |



SCALE 3:1

| DIM "B" | DIM "A" | NR OF POS. | TE CONNECTIVITY PART NO |
|---------|---------|------------|-------------------------|
| 45.72 | 43.18 | 18 | 1-281838-8 |
| 38.10 | 35.56 | 15 | 1-281838-5 |
| 35.56 | 33.02 | 14 | 1-281838-4 |
| 30.48 | 27.94 | 12 | 1-281838-2 |
| 25.40 | 22.86 | 10 | 1-281838-0 |
| 22.86 | 20.32 | 9 | 0-281838-9 |
| 20.32 | 17.78 | 8 | 0-281838-8 |
| 17.78 | 15.24 | 7 | 0-281838-7 |
| 15.24 | 12.70 | 6 | 0-281838-6 |
| 12.70 | 10.16 | 5 | 0-281838-5 |
| 10.16 | 7.62 | 4 | 0-281838-4 |
| 7.62 | 5.08 | 3 | 0-281838-3 |

NOTES:

- MATERIAL DESCRIPTION: GLASS FILLED PBT, UL 94-V0, COLOR BLUE
- IDENTIFICATION OF CONTACT CAVITY NR 1
- PRODUCT ACCORDING TO IEC 603-8
- ACCEPTS CRIMP CONTACTS 188746-1 OR 188744-1

| | | | | | | | |
|-------------------------------|--|--|--|--|--|--|--|
| DIMENSIONS: mm | | TOLERANCES UNLESS OTHERWISE SPECIFIED: TOLERANCES NON SPECIFIEES (SUIV NB DE DECIMALES): 0 PLC/DEC: ±0.2 1 PLC/DEC: ±0.2 2 PLC/DEC: ±0.2 3 PLC/DEC: ± 4 PLC/DEC: ± ANGLES ±1° | | DWN/DESSINE 18JUL2003 T. CORRIOU CHK/VERIFIE 18JUL2003 Y. PETRONIN APVD/APPROUVE 18JUL2003 M. FURIO | | TE Connectivity | |
| MATERIAL /MATIERE | | FINISH /FINITION | | PRODUCT SPEC SPEC. PRODUIT APPLICATION SPEC SPEC. APPLICATION | | NAME TITRE SINGLE ROW HOUSING FOR HE 13-14 COSI CONTACT | |
| WEIGHT MASSE APPROX. | | FINISH /FINITION | | SIZE FORMAT A3 | | CAGE CODE 00779 | |
| CUSTOMER DRAWING /PLAN CLIENT | | UNTOUEMENT POUR REFERENCE | | DRAWING NO No PLAN C-281838 | | RESTRICTED TO RESERVE A | |
| SCALE ECHELLE 5:1 | | SHEET FEUILLE | | OF DE | | REV B1 | |

Mouser Electronics

Authorized Distributor

Click to View Pricing, Inventory, Delivery & Lifecycle Information:

[TE Connectivity:](#)

[281838-3](#)