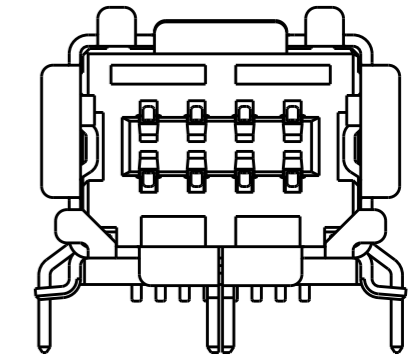
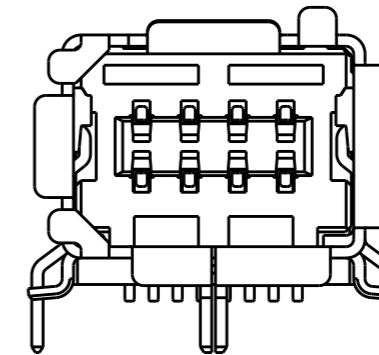
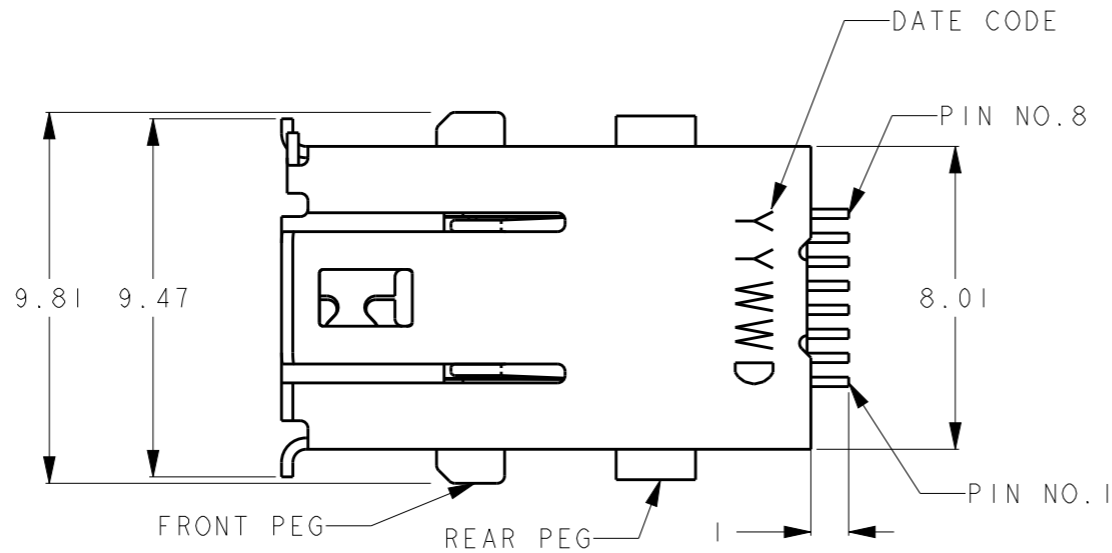


- 1: AS SHOWN

REVISIONS

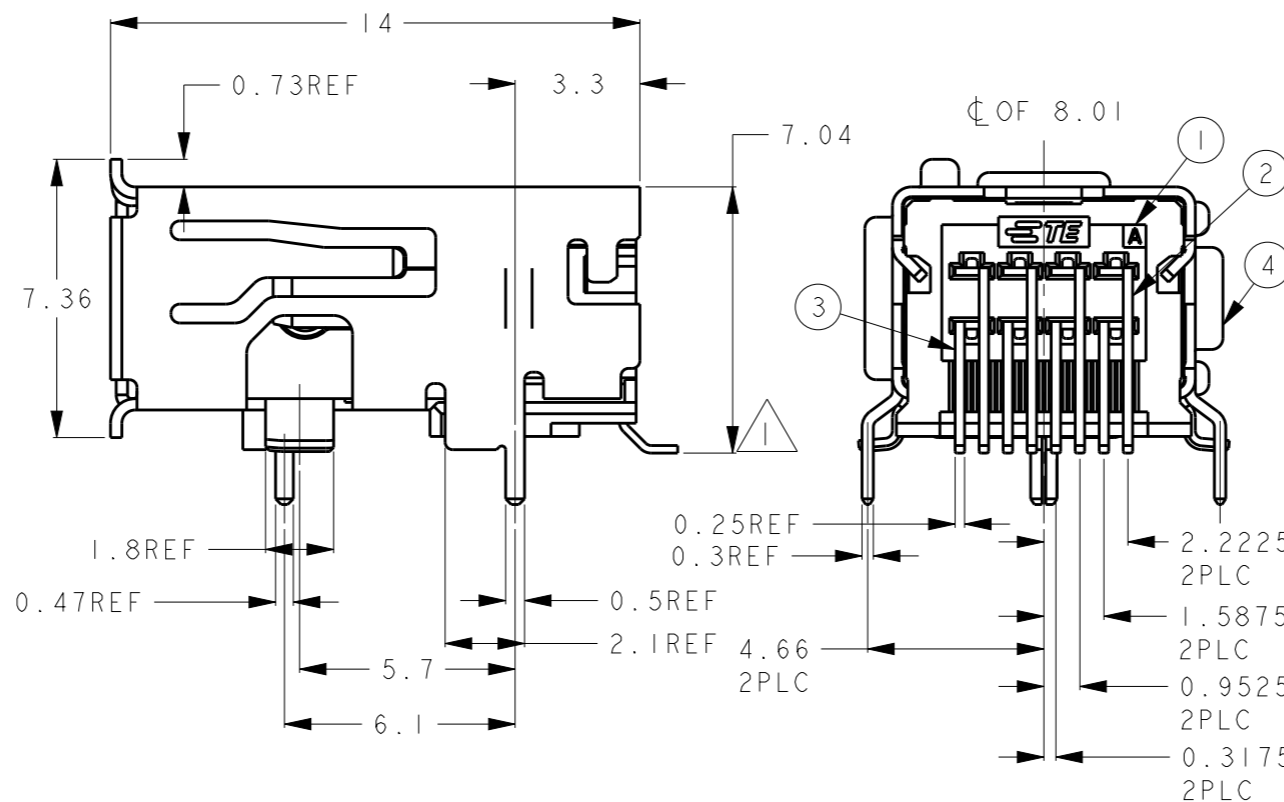
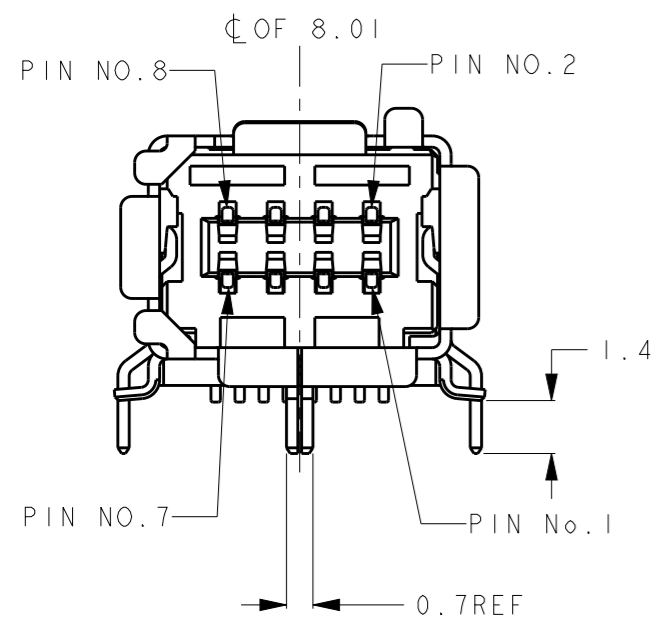
P	LTR	DESCRIPTION	DATE	DWN	APVD
A		RELEASED	28JUN2016	T.S	N.Y
B		REVISED	11JUL2016	T.S	N.Y



TYPE I

TYPE II

2294415-2	TYPE II	BLACK
2294415-1	TYPE I	BLACK
P/N	D-SHAPE	HOUSING COLOR



1 COPLANARITY: 0.08MAX (FRONT PEG, CONTACT)

2 DIMENSION DECIDED BY CUSTOMER

QTY	DESCRIPTION	ITEM
1	HDR SHELL TYPE II MATERIAL:SUS UNDER ALL SURFACE Ni 0.00127MIN ALL SURFACE Sn 0.002MIN	4
-	HDR SHELL TYPE I MATERIAL:SUS UNDER ALL SURFACE Ni 0.00127MIN ALL SURFACE Sn 0.002MIN	4
4	HDR LOWER CONTACT MATERIAL:COPPER ALLOY UNDER ALL SURFACE Ni 0.00127MIN CONTACT AREA Au 0.0005MIN SOLDERING AREA Sn 0.002MIN	3
4	HDR UPPER CONTACT MATERIAL:COPPER ALLOY UNDER ALL SURFACE Ni 0.00127MIN CONTACT AREA Au 0.0005MIN SOLDERING AREA Sn 0.002MIN	2
1	HDR HOUSING MATERIAL:THERMO PLASTIC(UL94 V-0) COLOR:BLACK	1
-2	DESCRIPTION	ITEM

THIS DRAWING IS A CONTROLLED DOCUMENT.

DIMENSIONS:	TOLERANCES UNLESS OTHERWISE SPECIFIED:
単位: mm	一般公差 ±0.3
	0 PLC ±
	1 PLC ±
	2 PLC ±
	3 PLC ±
	4 PLC ±
	ANGLES ±5°

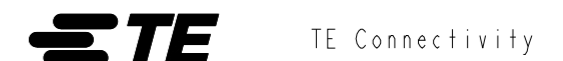
MATERIAL 材料

DWN 28JUN2016  
T. SHIMOYASU  
CHK 28JUN2016  
E. TAKEMASA  
APVD 28JUN2016  
N. YAMASAKI

PRODUCT SPEC  
108-78405  
APPLICATION SPEC  
取付適用規格  
114-32132

WEIGHT -

CUSTOMER DRAWING



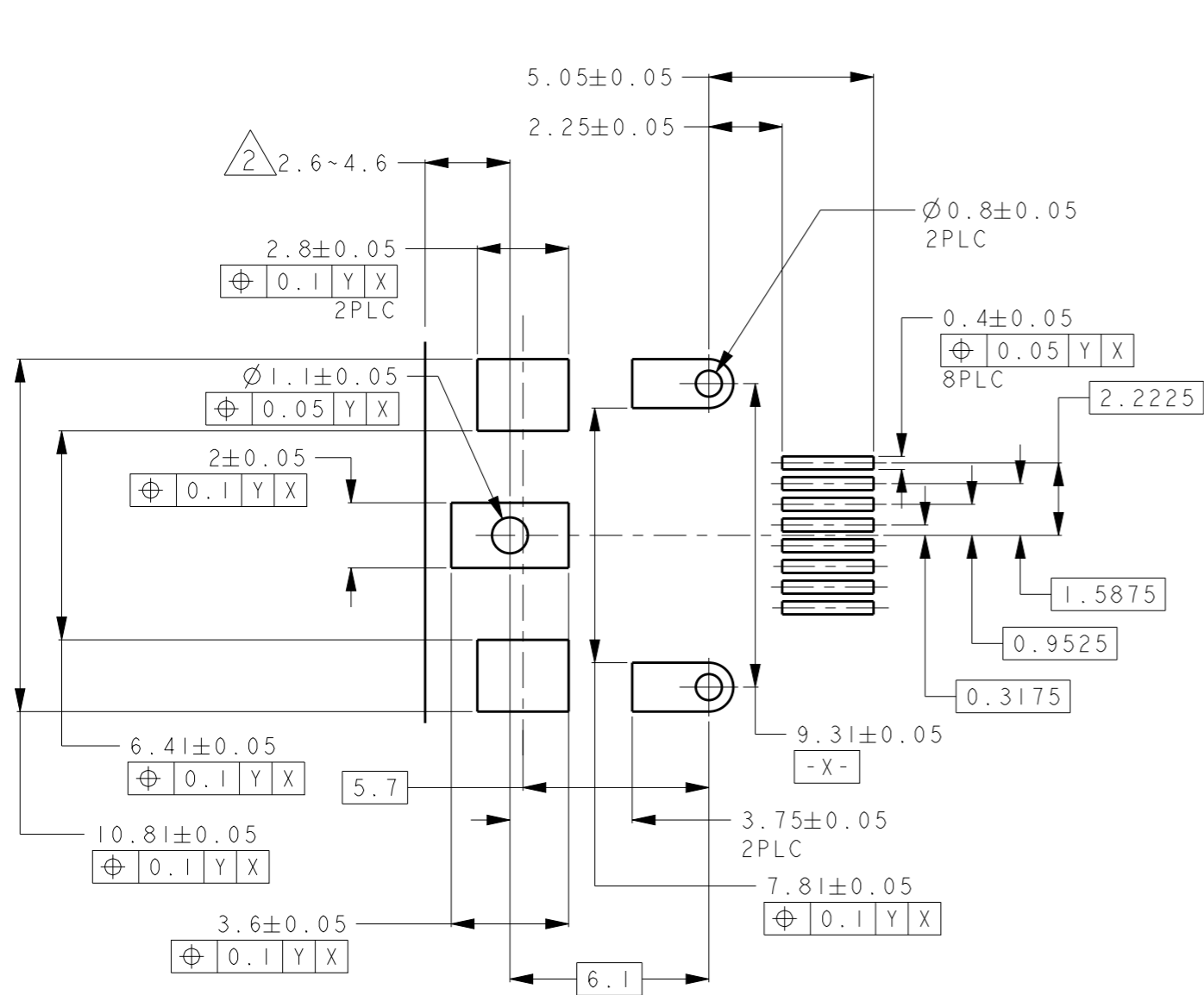
NAME 名称 INDUSTRIAL MINI I/O CONN.  
1.27MM PITCH 8P HDR ASSY SMT TRAY

SIZE	CAGE CODE	DRAWING NO 番号	RESTRICTED TO
A3	-	C-2294415	-

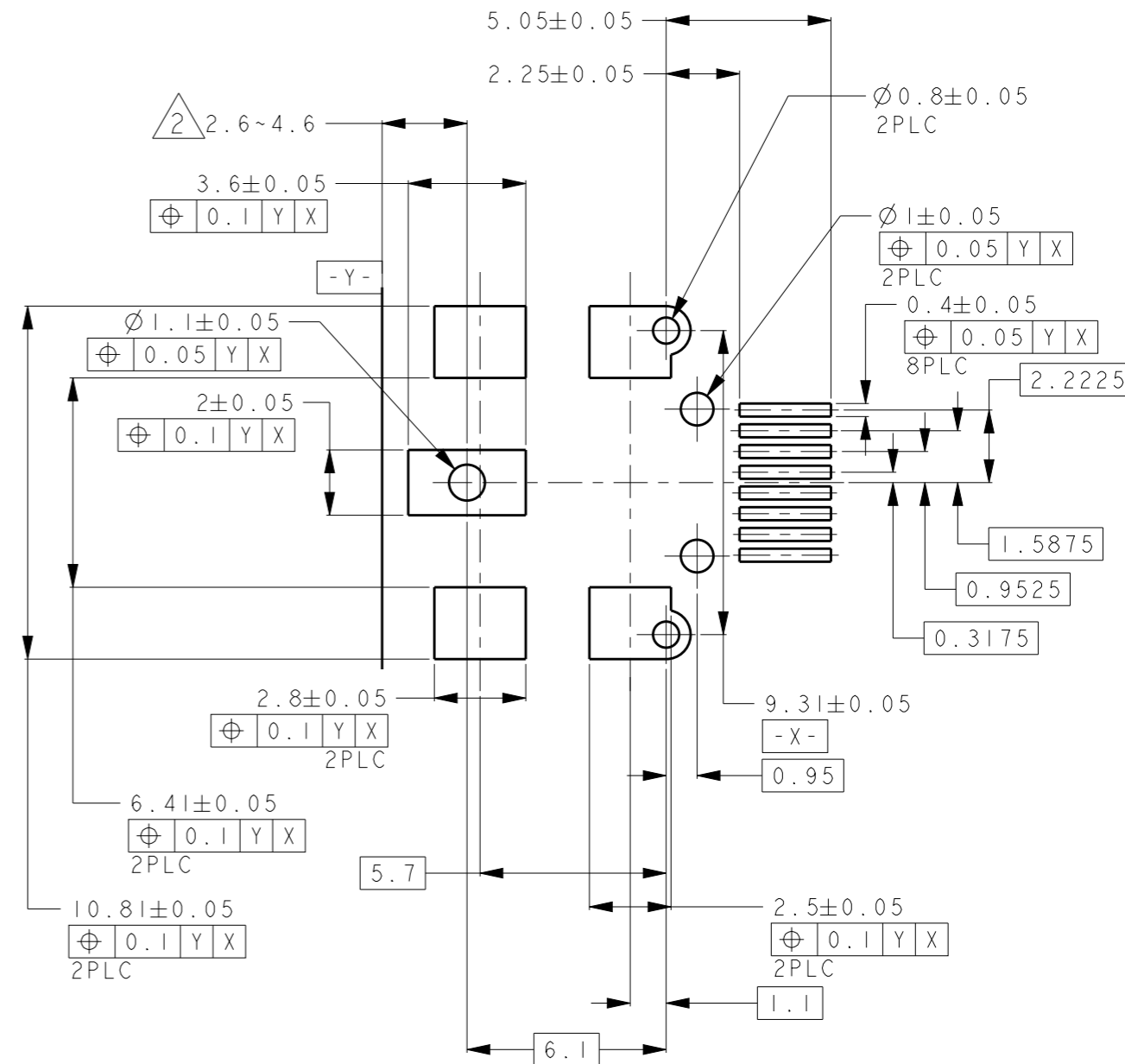
SCALE 尺度 5:1 SHEET 1 OF 3 REV B

REVISIONS


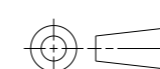
P	LTR	DESCRIPTION	DATE	DWN	APVD
-	-	SEE SHEET 1	-	-	-



REFERENCE PCB DIMENSIONS (STANDARD) t=1.6±0.1



REFERENCE PCB DIMENSIONS (SAME AS 1981080-1/1981386-1) t=1.6±0.1

THIS DRAWING IS A CONTROLLED DOCUMENT.		DWN	 TE Connectivity		
DIMENSIONS: 単位: 耗 mm 		CHK			
TOLERANCES UNLESS OTHERWISE SPECIFIED: 一般公差 ±0.3 0-PLC ± 1-PLC ± 2-PLC ± 3-PLC ± 4-PLC ± ANGLES ±5°		APVD	NAME 名称 INDUSTRIAL MINI I/O CONN. 製品規格 1.27MM PITCH 8P HDR ASSY SMT TRAY		
MATERIAL 材料		PRODUCT SPEC 製品規格	SIZE A3	CAGE CODE -	DRAWING NO. 番号 C=2294415
FINISH 仕上		APPLICATION SPEC 取付適用規格	RESTRICTED TO -		
		WEIGHT -	SCALE 尺度 5:1		
		CUSTOMER DRAWING	SHEET 2 OF 3		
			REV B		

THIS DRAWING IS UNPUBLISHED.

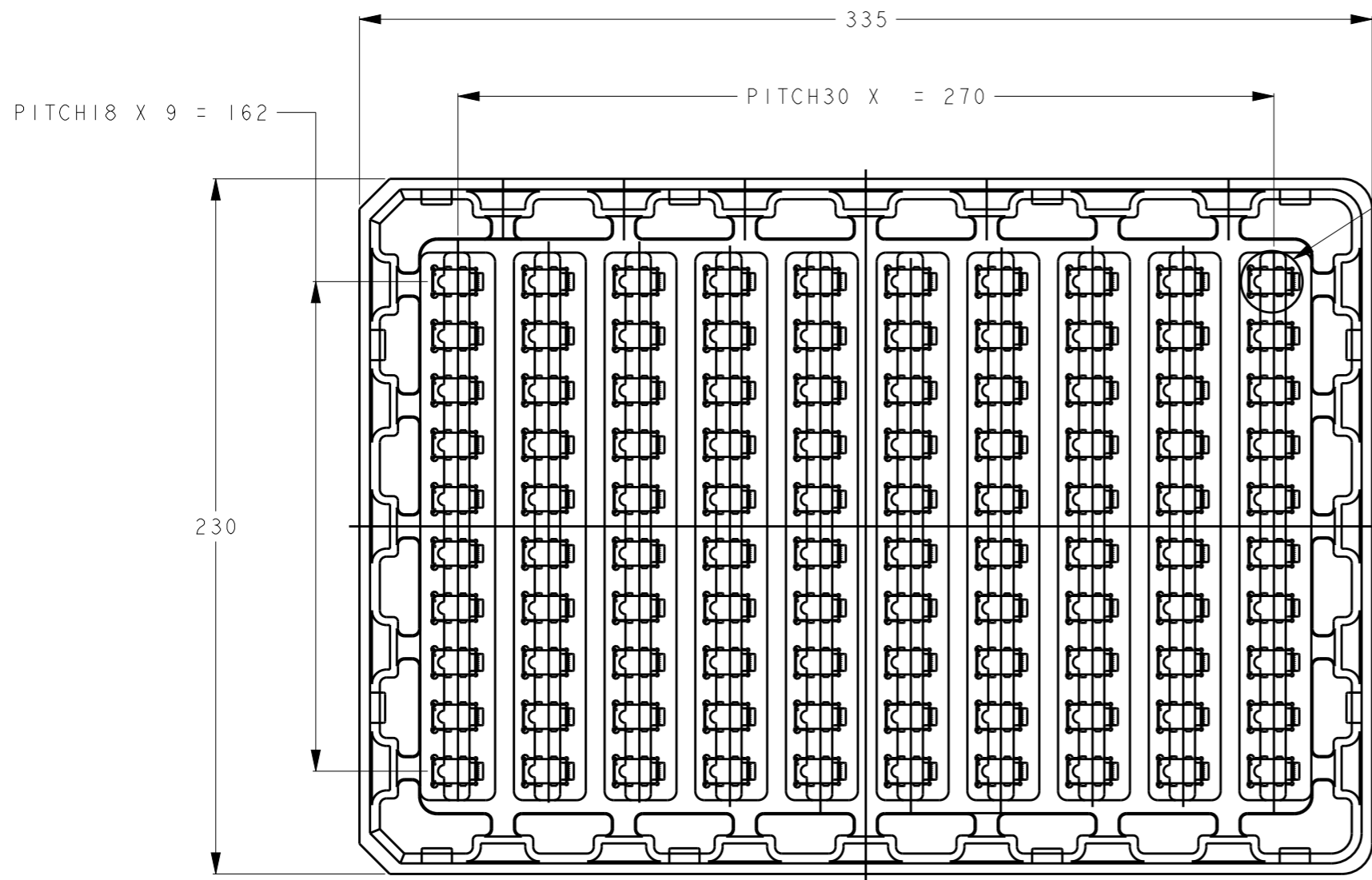
RELEASED FOR PUBLICATION

2015

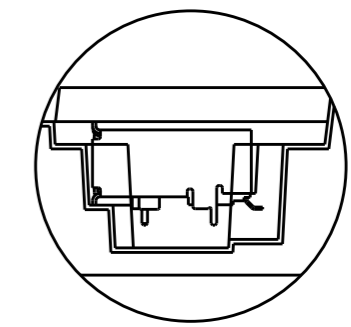
© COPYRIGHT 2015 BY Tyco Electronics Japan G.K. ALL RIGHTS RESERVED.

REVISIONS

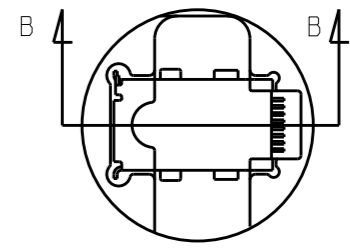
P	LTR	変更 DESCRIPTION	DATE	DWN	APVD
-	-	SEE SHEET 1	-	-	-



DETAIL A



B-B



DETAIL A



PACKING REFERENCE

THIS DRAWING IS A CONTROLLED DOCUMENT.

DIMENSIONS: 単位: 耗 mm		TOLERANCES UNLESS OTHERWISE SPECIFIED: 一般公差 ± 3	
		0 PLC ±	1 PLC ±
		2 PLC ±	3 PLC ±
		4 PLC ±	ANGLES ± 5°
		FINISH 仕上	
		MATERIAL 材料	

DWN
CHK
APVD
PRODUCT SPEC 製品規格
APPLICATION SPEC 取付適用規格
WEIGHT
CUSTOMER DRAWING

**STE** TE Connectivity

NAME  
名称 INDUSTRIAL MINI I/O CONN.  
1.27MM PITCH 8P HDR ASSY SMT TRAY

SIZE A3	CAGE CODE -	DRAWING NO 番号 C-2294415	RESTRICTED TO -
SCALE 尺度 5:1		SHEET 3 OF 3	REV B

# Mouser Electronics

Authorized Distributor

Click to View Pricing, Inventory, Delivery & Lifecycle Information:

[TE Connectivity:](#)

[2294415-1](#)