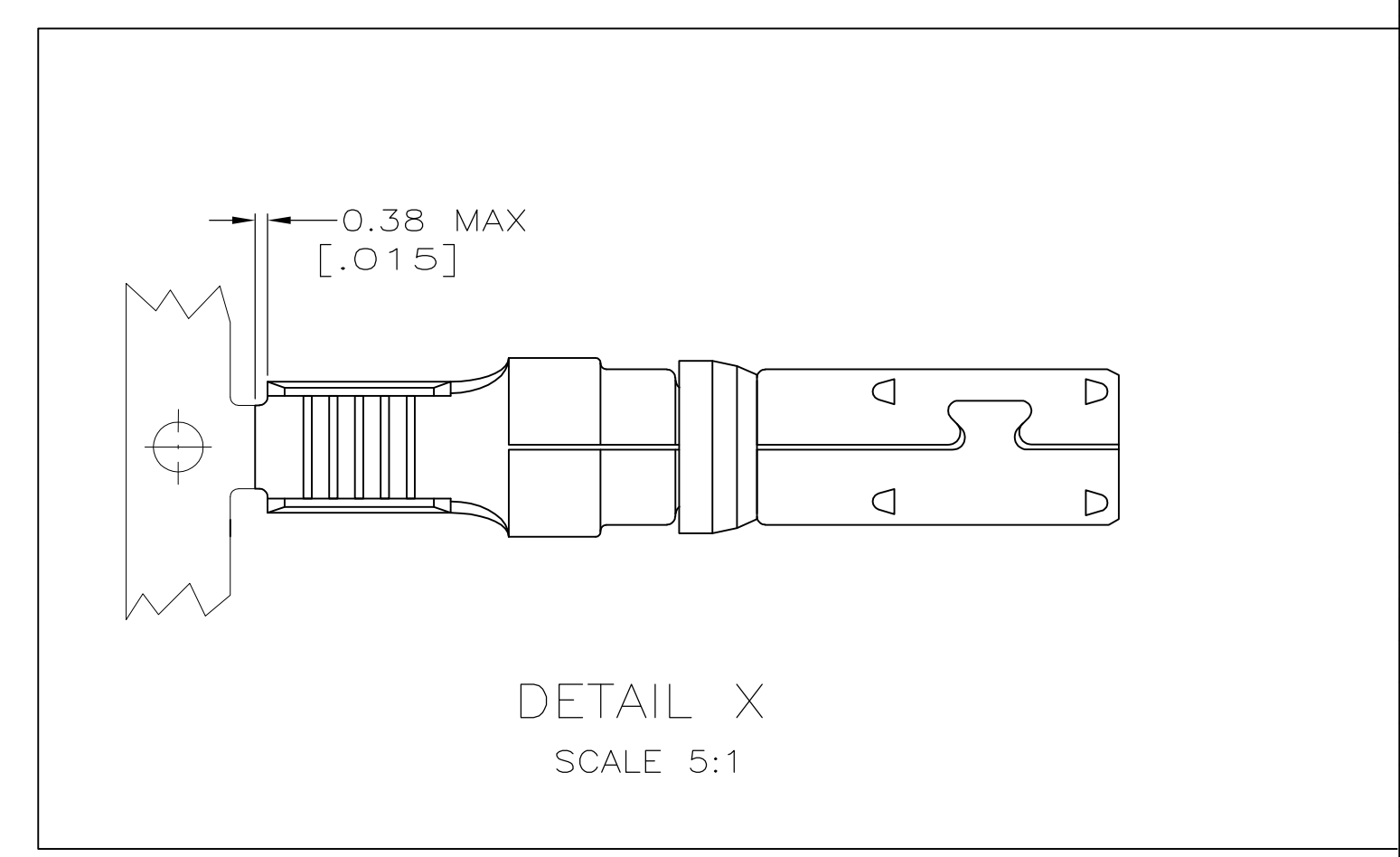
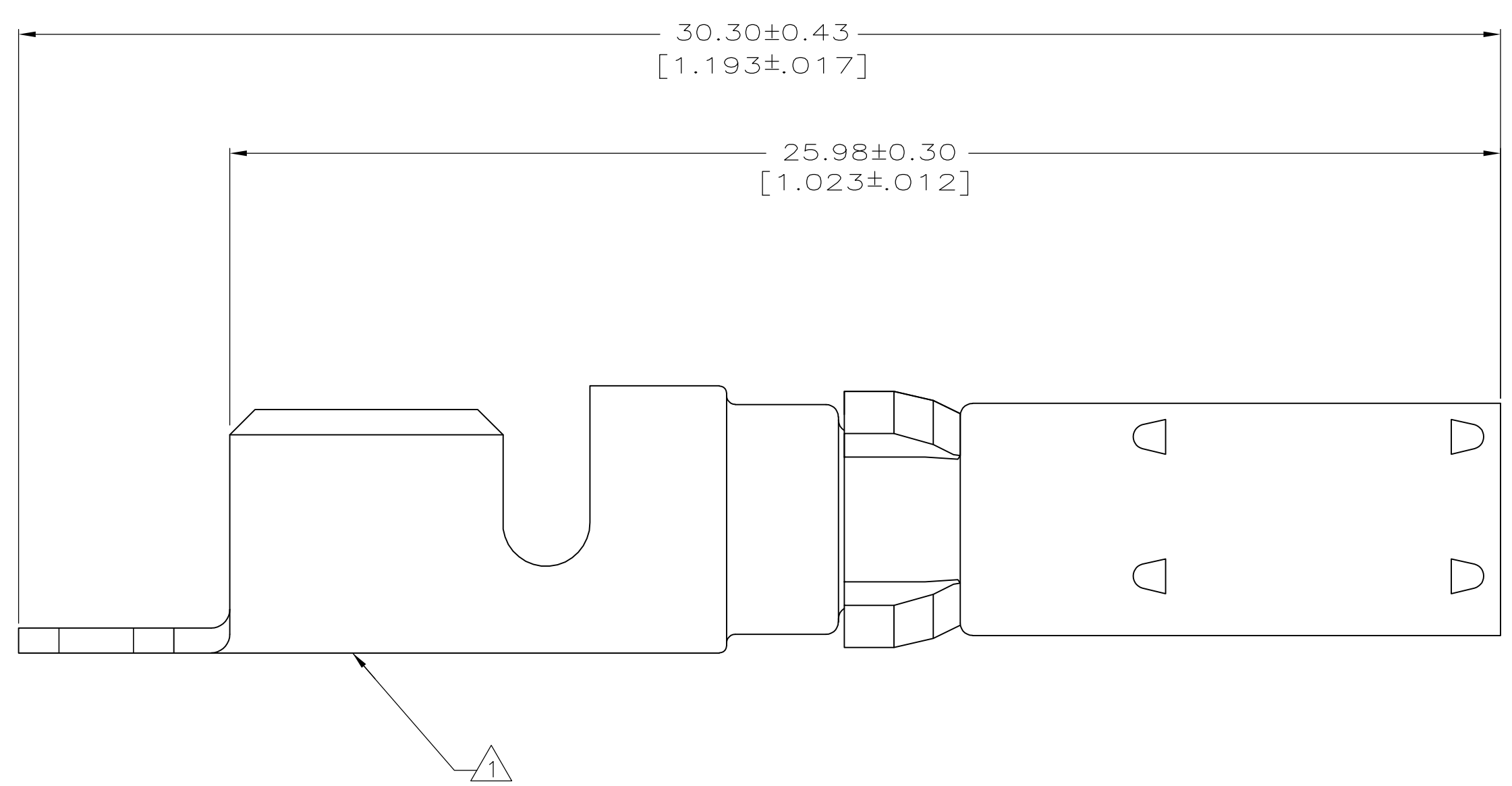
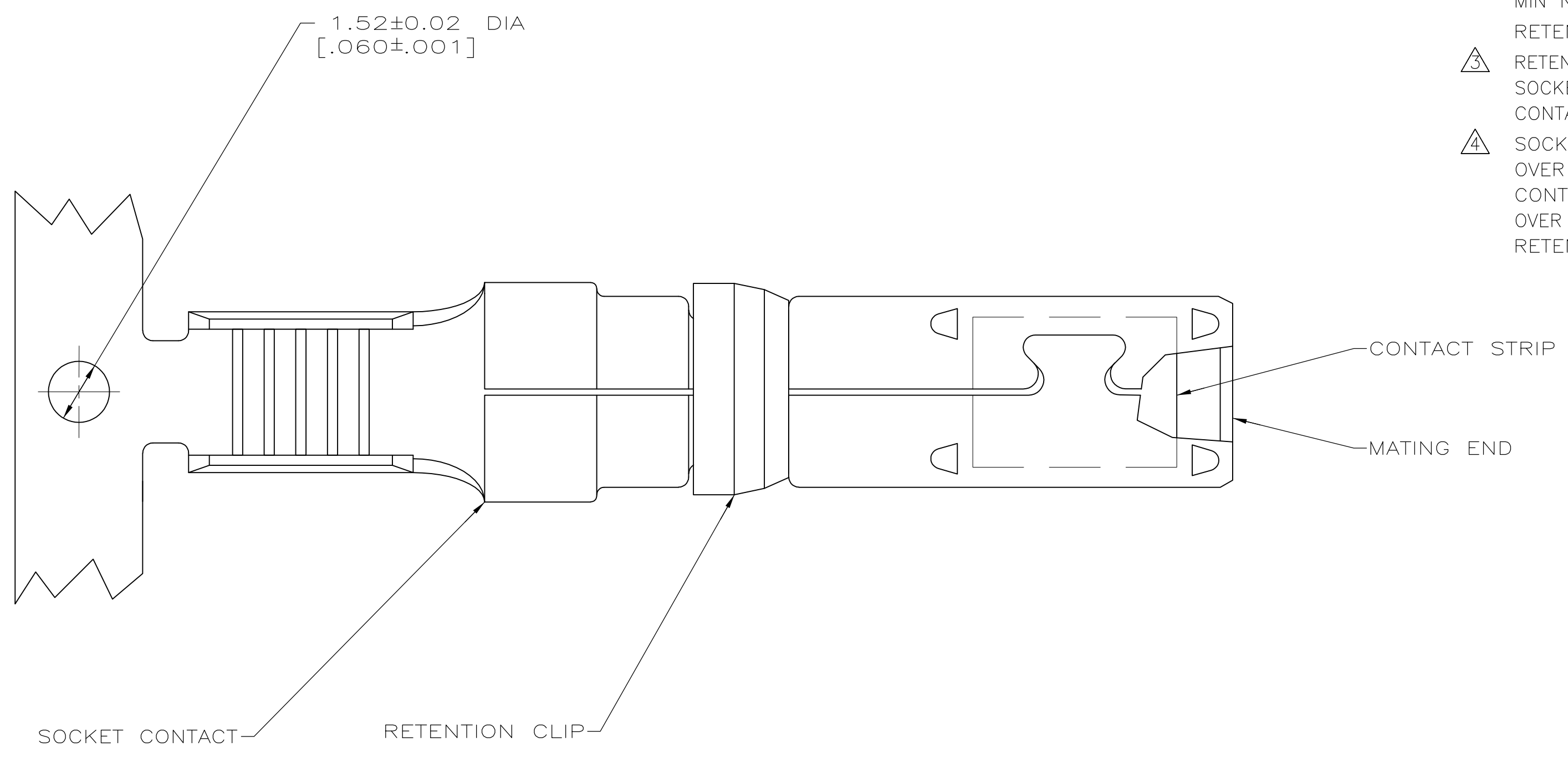


LOC	DIST	REVISIONS			
P	LTR	DESCRIPTION	DATE	DWN	APP'D
B1		REVISED PER ECO-11-004917	11MAR11	RK	HMR

- ⚠ WIRE SIZE AND AMP LOGO APPEAR ON OUTSIDE OF WIRE BARREL.
- ⚠ SOCKET & STRIP CONTACT: 0.76μ [0.00030] MIN GOLD PER MIL-G-45204 ON CONTACT MATING END, GOLD FLASH ON REMAINDER, ALL OVER 1.27μm [0.00050] MIN NICKEL PER QQ-N-390.
- RETENTION CLIP: 2.54μm [0.00100] MIN NICKEL PER QQ-N-290.
- ⚠ RETENTION CLIP: PHOSPHOR BRONZE PER QQ-B-750.  
SOCKET CONTACT: COPPER PER QQ-C-576.  
CONTACT STRIP: BERYLLIUM COPPER PER QQ-C-533.
- ⚠ SOCKET CONTACT: 1.27μm [0.00050] MIN SILVER PER QQ-S-365, ALL OVER 1.27μm [0.00050] MIN NICKEL PER QQ-N-290.  
CONTACT STRIP: 5.08μm [0.00200] MIN SILVER PER QQ-S-365, ALL OVER 1.02 μm [0.00040] MIN NICKEL PER QQ-N-290.  
RETENTION CLIP: 2.54μm [0.00100] MIN NICKEL PER QQ-N-290.



2	DETAIL X	213847-4
4	DETAIL X	213847-3
2	-	213847-2
4	-	213847-1
FINISH	LOOSE PIECE	PART NUMBER

THIS DRAWING IS A CONTROLLED DOCUMENT.

DIMENSIONS:	TOLERANCES UNLESS OTHERWISE SPECIFIED:	DWN	30 JUL 96	TE Connectivity
mm(INCHES)	0 PLC ± -	W.G. LENKER	05 AUG 96	
	1 PLC ± -	CHK	R. STONE	
	2 PLC ± -	APVD	G. STEINHAUER	
	3 PLC ± -	NAME		SOCKET CONTACT ASSEMBLY, 14-12 AWG, .125 POWERBAND
	4 PLC ± -	PRODUCT SPEC		
	ANGLES ± -	APPLICATION SPEC		
MATERIAL	FINISH SEE TABLE	WEIGHT		SIZE CAGE CODE DRAWING NO
				A1 00779 C=213847
		CUSTOMER DRAWING		SCALE 10:1 SHEET 1 OF 1 REV B1

# Mouser Electronics

Authorized Distributor

Click to View Pricing, Inventory, Delivery & Lifecycle Information:

[TE Connectivity:](#)

[213847-4](#)