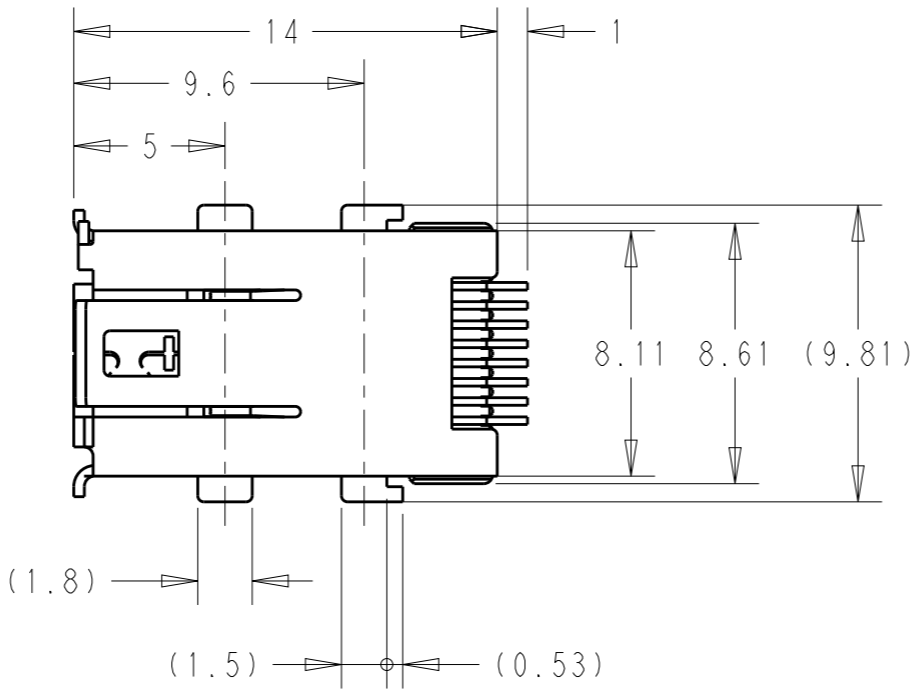
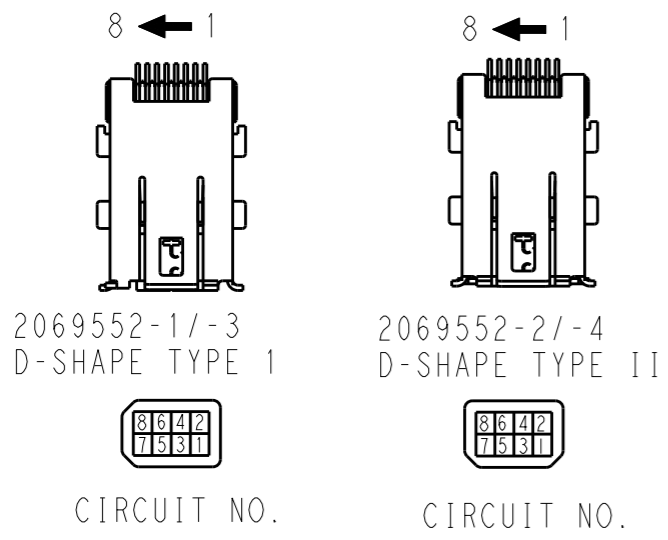
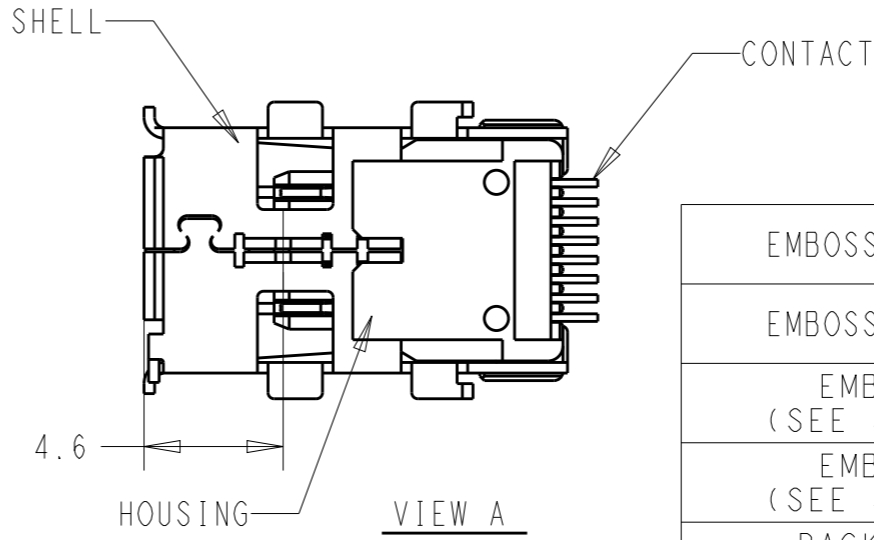
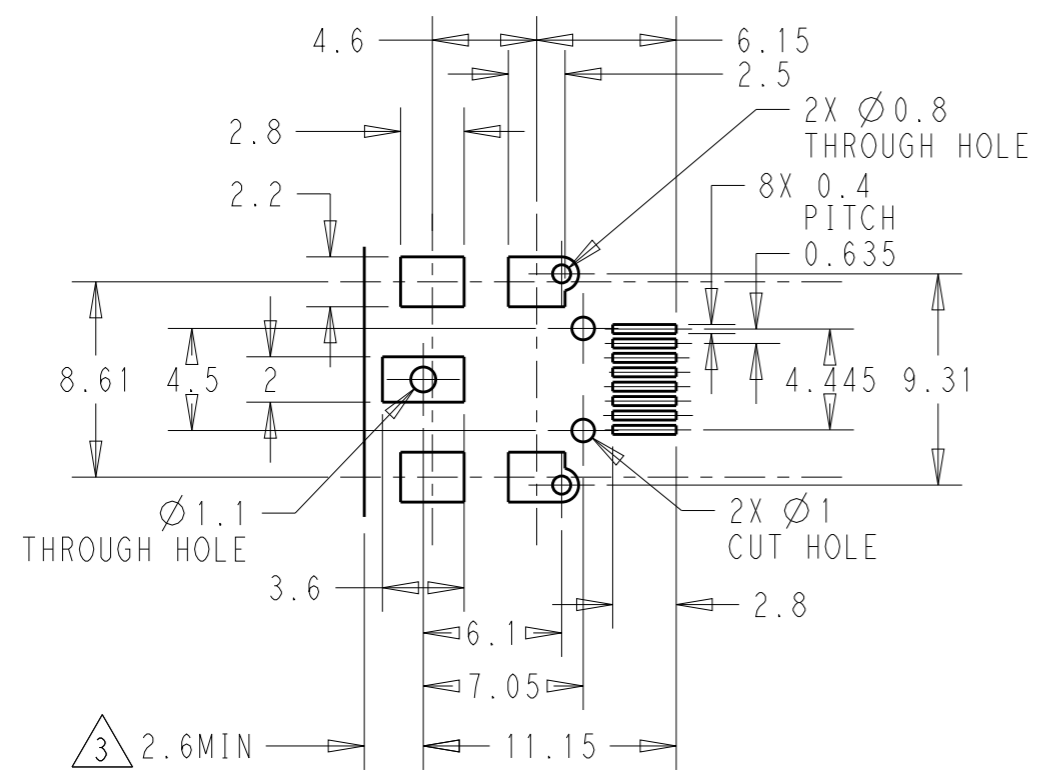
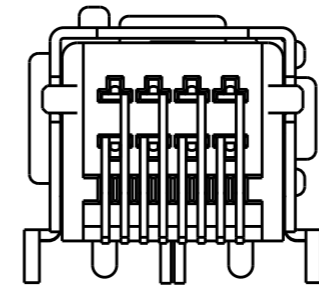
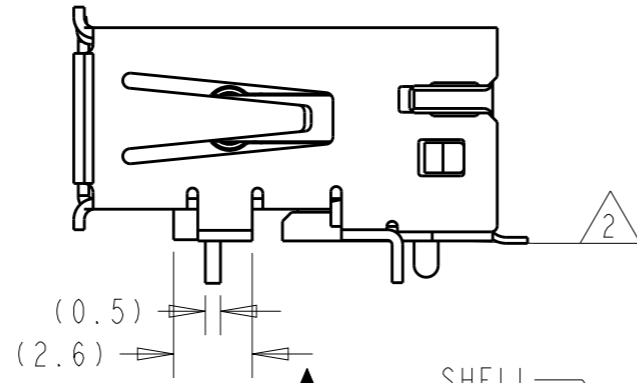
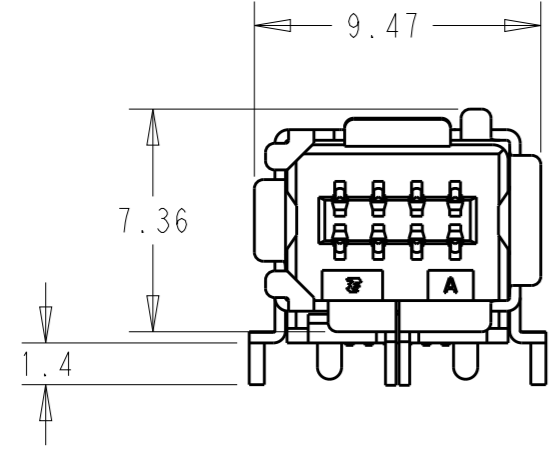


THIS DRAWING IS UNPUBLISHED. RELEASED FOR PUBLICATION  
 © COPYRIGHT - BY TE CONNECTIVITY ALL RIGHTS RESERVED.

REVISIONS					
P	LTR	DESCRIPTION	DATE	DWN	APVD
B		REVISED	28APR2014	T.S	N.Y
C		REVISED PER ECR-17-018177	14DEC2017	TS	EI
D		REVISED PER ECR-19-003686	07MAR2019	PP	JDB



- 1 MATERIAL AND FINISH  
 CONTACT  
 COPPER ALLOY  
 UNDER ALL SURFACE Ni 1.27µm MIN  
 TOP CONTACT AREA Au 0.5µm MIN  
 SOLDERING AREA Au FLASH  
 HOUSING  
 THERMO PLASTIC(UL94V-0)  
 SHELL  
 COPPER ALLOY  
 UNDER ALL SURFACE Ni  
 TOP ALL SURFACE Sn
- 2 COPLANARITY 0.1 MAX(TOP OF LEAD)
- 3 DIMENSION DECIDED BY CUSTOMER.



EMBOSS TAPING MSD L5	TYPE II	2069552-4
EMBOSS TAPING MSD L5	TYPE I	2069552-3
EMBOSS TAPING (SEE SHEET 2 OF 2)	TYPE II	2069552-2
EMBOSS TAPING (SEE SHEET 2 OF 2)	TYPE I	2069552-1
PACKAGING STYLE	D-SHAPE	PART NO.

RECOMMENDED BOARD DIMENSION  
 (CONNECTOR SIDE) ±1.6  
 TOLERANCE ±0.05

THIS DRAWING IS A CONTROLLED DOCUMENT.		DWN S. INOMATA 12NOV2008	TE Connectivity	
DIMENSIONS: mm		CHK I. HASAGAWA 12NOV2008		
TOLERANCES UNLESS OTHERWISE SPECIFIED: ±0.2		APVD I. HASAGAWA 12NOV2008	NAME INDUSTRIAL MINI I/O CONN. 1.27MM PITCH 8P HDR ASSY EMBOSS TAPING	
0 PLC ± 1 PLC ± 2 PLC ± 3 PLC ± 4 PLC ± ANGLES ±		PRODUCT SPEC 108-78405	SIZE A3	
MATERIAL 1		APPLICATION SPEC -	CAGE CODE -	DRAWING NO. C-2069552
FINISH 1		WEIGHT -	RESTRICTED TO -	SCALE 3:1 SHEET 1 OF 2 REV D
CUSTOMER DRAWING				

THIS DRAWING IS UNPUBLISHED.

RELEASED FOR PUBLICATION

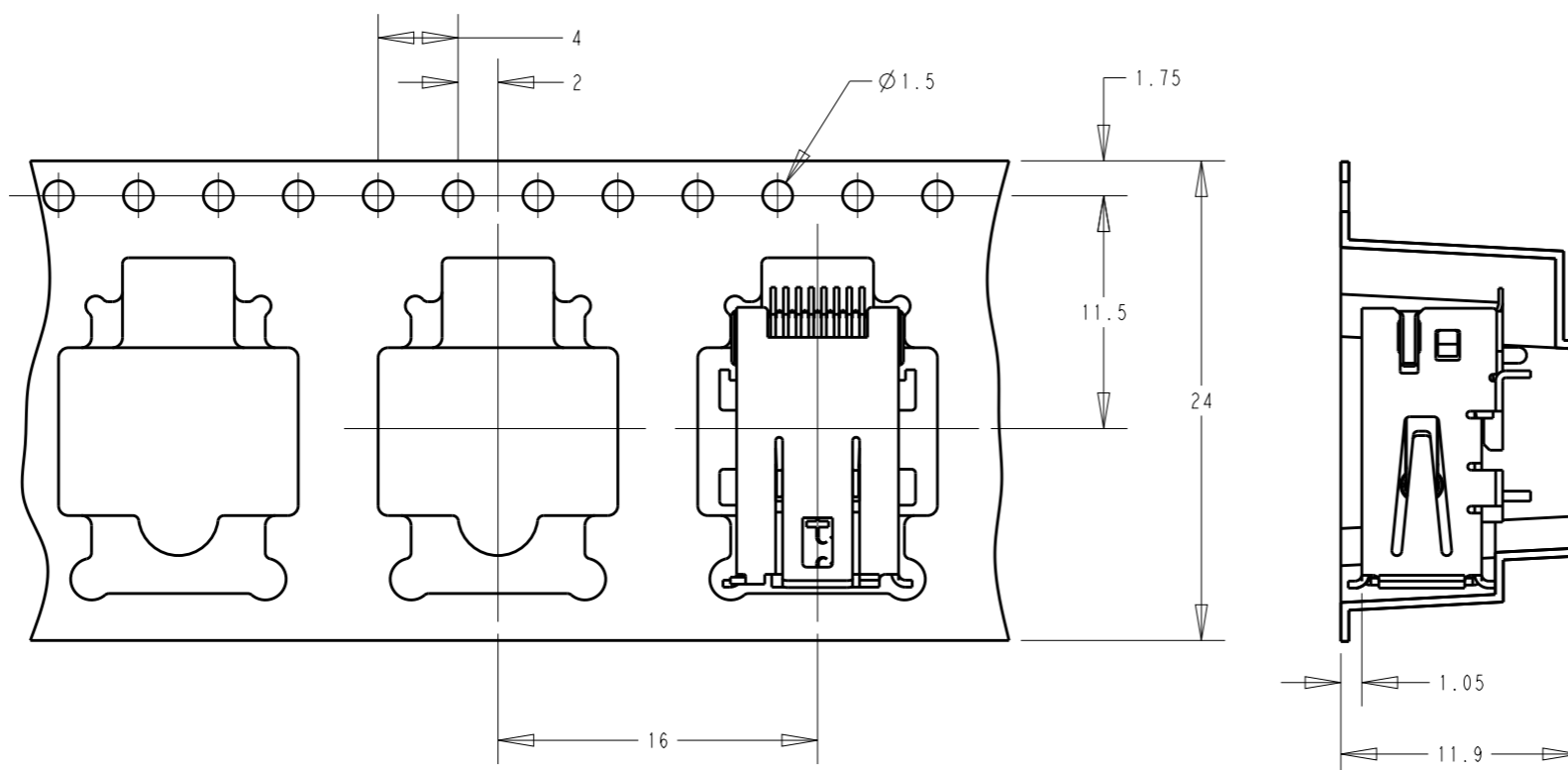
© COPYRIGHT - BY TE CONNECTIVITY

ALL RIGHTS RESERVED.

REVISIONS

P	LTR	DESCRIPTION	DATE	DWN	APVD
-	-	SEE SHEET 1	-	-	-

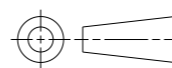
UNREEL DIRECTION →



4. MATERIAL : CONDUCTIVE POLY STYLENE (+0.4mm)  
 5. PRODUCT QUANTITY : 300MIN/1REEL

THIS DRAWING IS A CONTROLLED DOCUMENT.

DIMENSIONS:  
mm



TOLERANCES UNLESS OTHERWISE SPECIFIED:  
±0.5

- 0 - PLC ±
- 1 - PLC ±
- 2 - PLC ±
- 3 - PLC ±
- 4 - PLC ±
- ANGLES ±

MATERIAL

FINISH

DWN
CHK
APVD
PRODUCT SPEC
APPLICATION SPEC
WEIGHT
CUSTOMER DRAWING



NAME  
 INDUSTRIAL MINI I/O CONN.  
 1.27MM PITCH 8P HDR ASSY  
 EMBOSS TAPING

SIZE	CAGE CODE	DRAWING NO	RESTRICTED TO
A3	-	C-2069552	-

SCALE 3:1 SHEET 2 OF 2 REV D

# Mouser Electronics

Authorized Distributor

Click to View Pricing, Inventory, Delivery & Lifecycle Information:

[TE Connectivity:](#)

[2069552-1](#)