

4

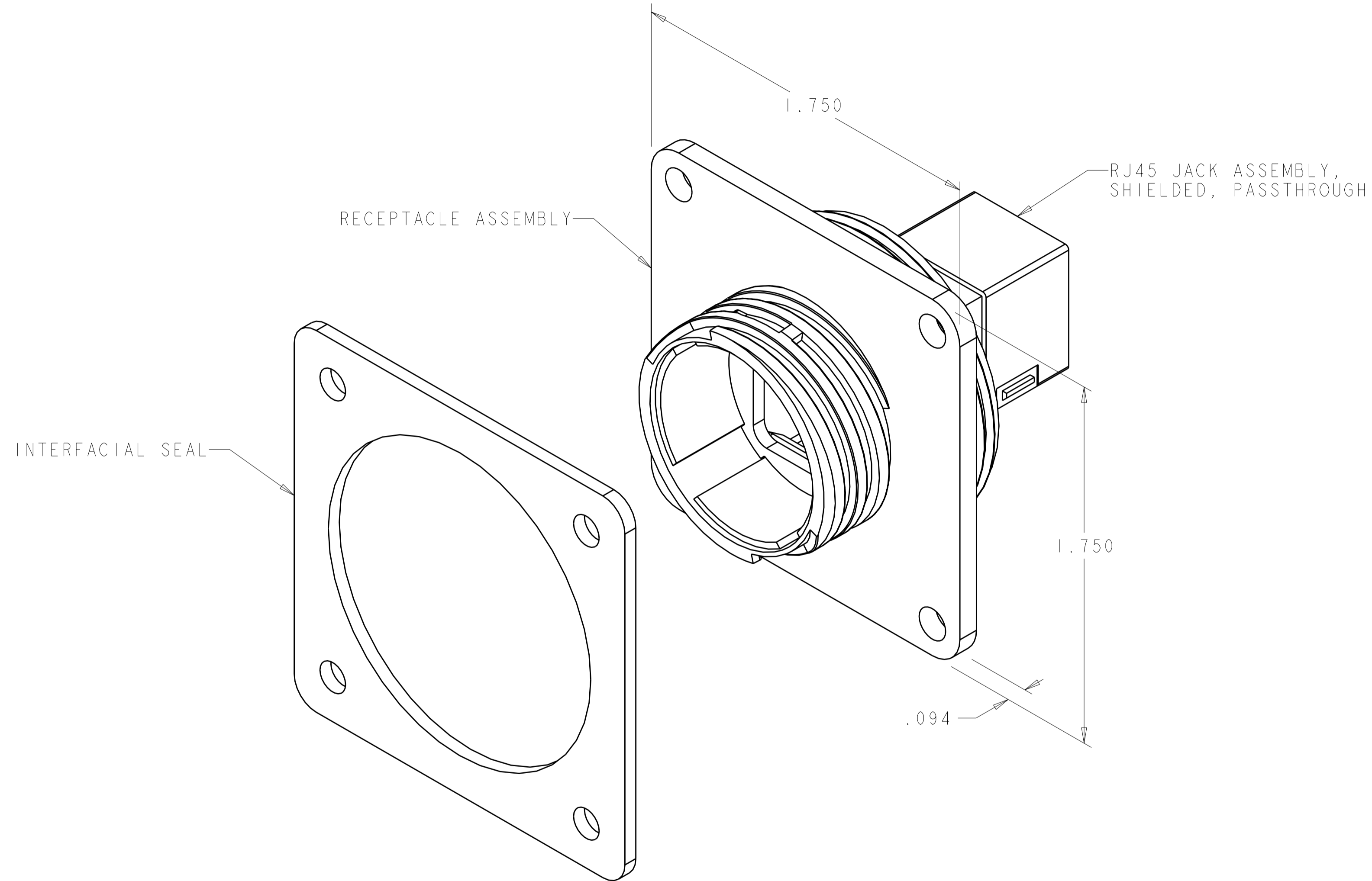
3

2

1

THIS DRAWING IS UNPUBLISHED. RELEASED FOR PUBLICATION 20
 © COPYRIGHT 20 BY TYCO ELECTRONICS CORPORATION. ALL RIGHTS RESERVED.

| LOC | | DIST | | REVISIONS | | | |
|-----|-----|-----------------------|-----------|-----------|------|--|--|
| P | LTR | DESCRIPTION | DATE | DWN | APVD | | |
| | A | RELEASED | 29MAR2007 | SW | MS | | |
| | AI | REVISED ECO-07-022509 | 25SEP2007 | SW | MS | | |



1986172-1
 PART NUMBER

| | | | | |
|----------------------------------------------------------------------------------------------------------------------------------------------------------------------------------------------------------|-----------------------------------------------------------------------------------------------------------------------------------------|------------------------------------------------------------------------------------------|---------------------------------------------------------------------|-----------------------------------------------|
| <small>THIS DRAWING IS A CONTROLLED DOCUMENT FOR TYCO ELECTRONICS CORPORATION. IT IS SUBJECT TO CHANGE AND THE CONTROLLING ENGINEERING ORGANIZATION SHOULD BE CONTACTED FOR THE LATEST REVISION.</small> | | DWN S. WELDON 29MAR2007 CHK M. STRECKEWALD 29MAR2007 APVD M. STRECKEWALD 29MAR2007 | tyco Electronics | Tyco Electronics Harrisburg, PA 17105-3608 |
| DIMENSIONS: INCHES | TOLERANCES UNLESS OTHERWISE SPECIFIED: 0 PLC ±- 1 PLC ±0.1 2 PLC ±0.02 3 PLC ±0.005 4 PLC ±0.0005 ANGLES ±- FINISH | PRODUCT SPEC APPLICATION SPEC | NAME RECEPTACLE KIT, SHIELDED, PASSTHROUGH, CPC INDUSTRIAL ETHERNET | |
| MATERIAL | | WEIGHT | SIZE A2 | CAGE CODE 00779 |
| | | | DRAWING NO. 1986172 | RESTRICTED TO |
| CUSTOMER DRAWING | | | SCALE 3:1 | SHEET 1 OF 1 REV AI |

Mouser Electronics

Authorized Distributor

Click to View Pricing, Inventory, Delivery & Lifecycle Information:

[TE Connectivity:](#)

[1986172-1](#)