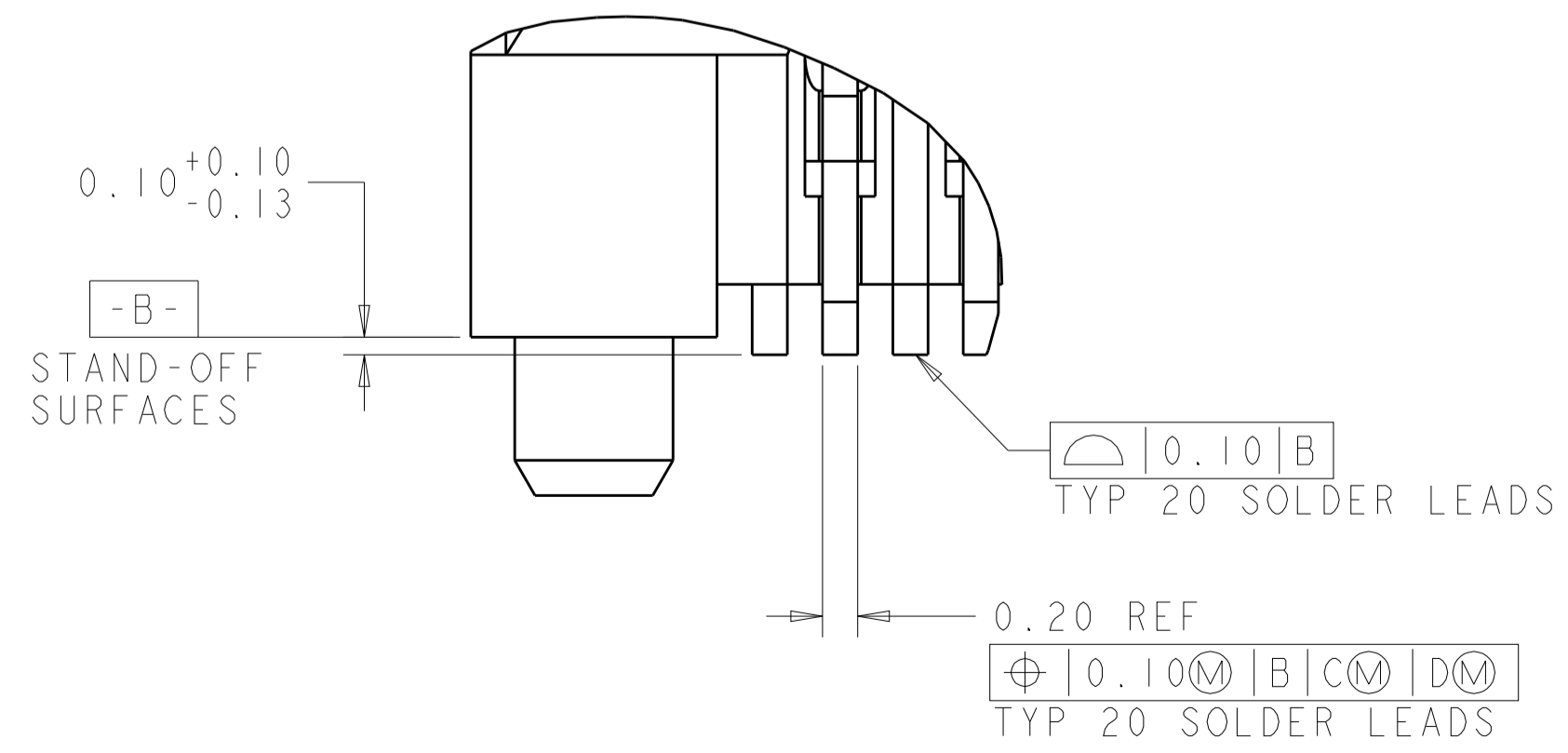
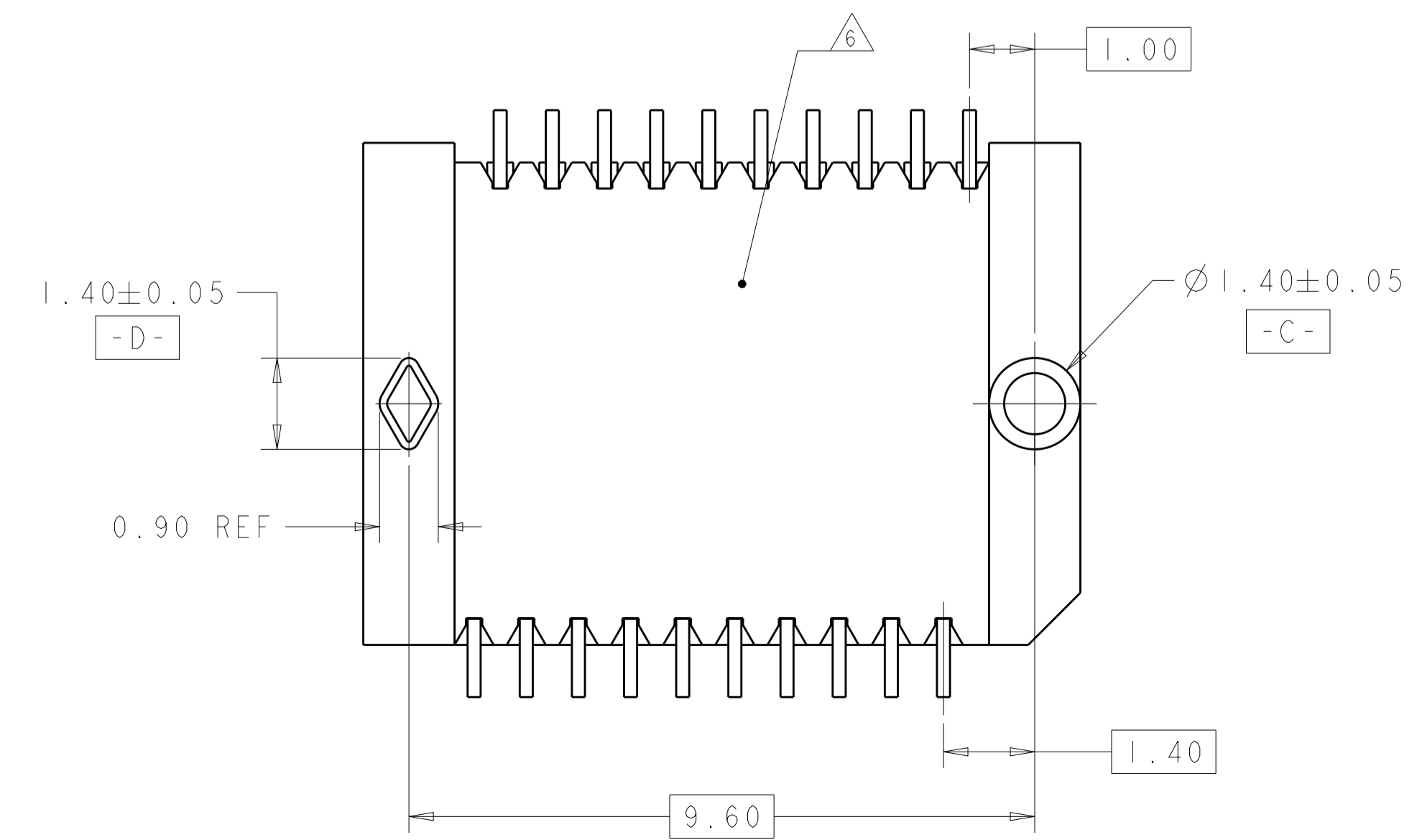
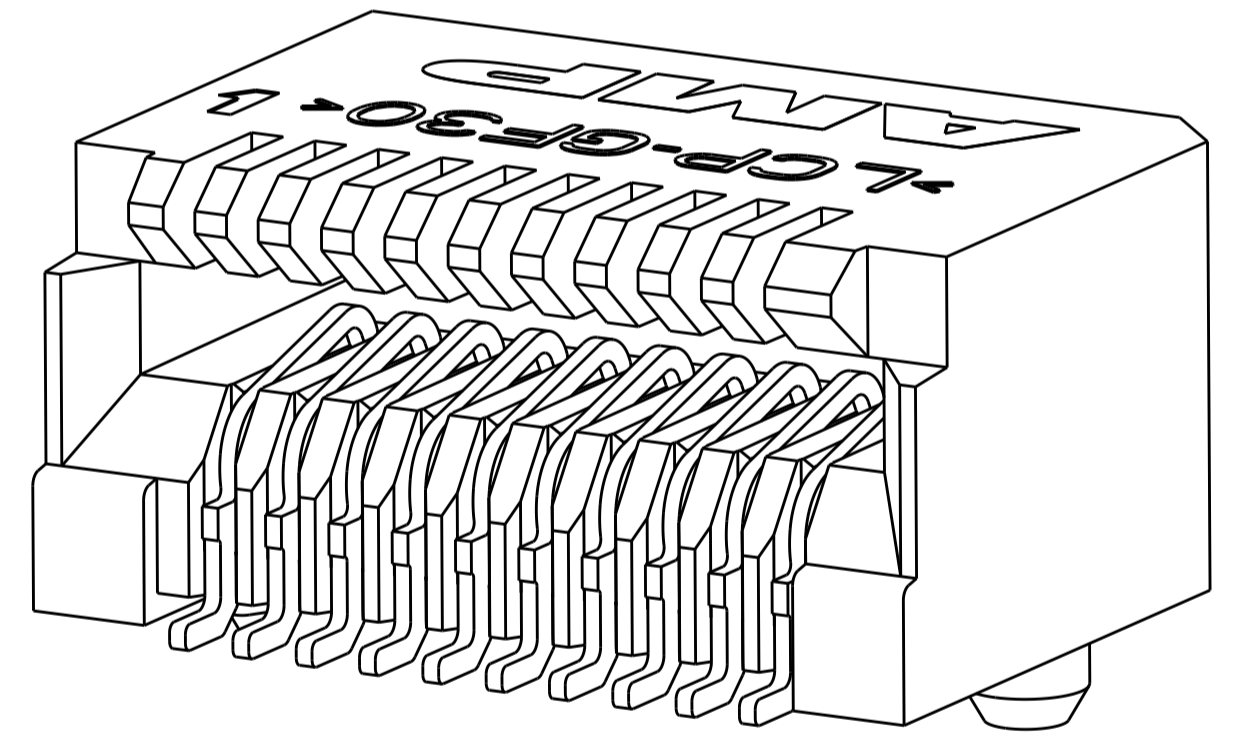
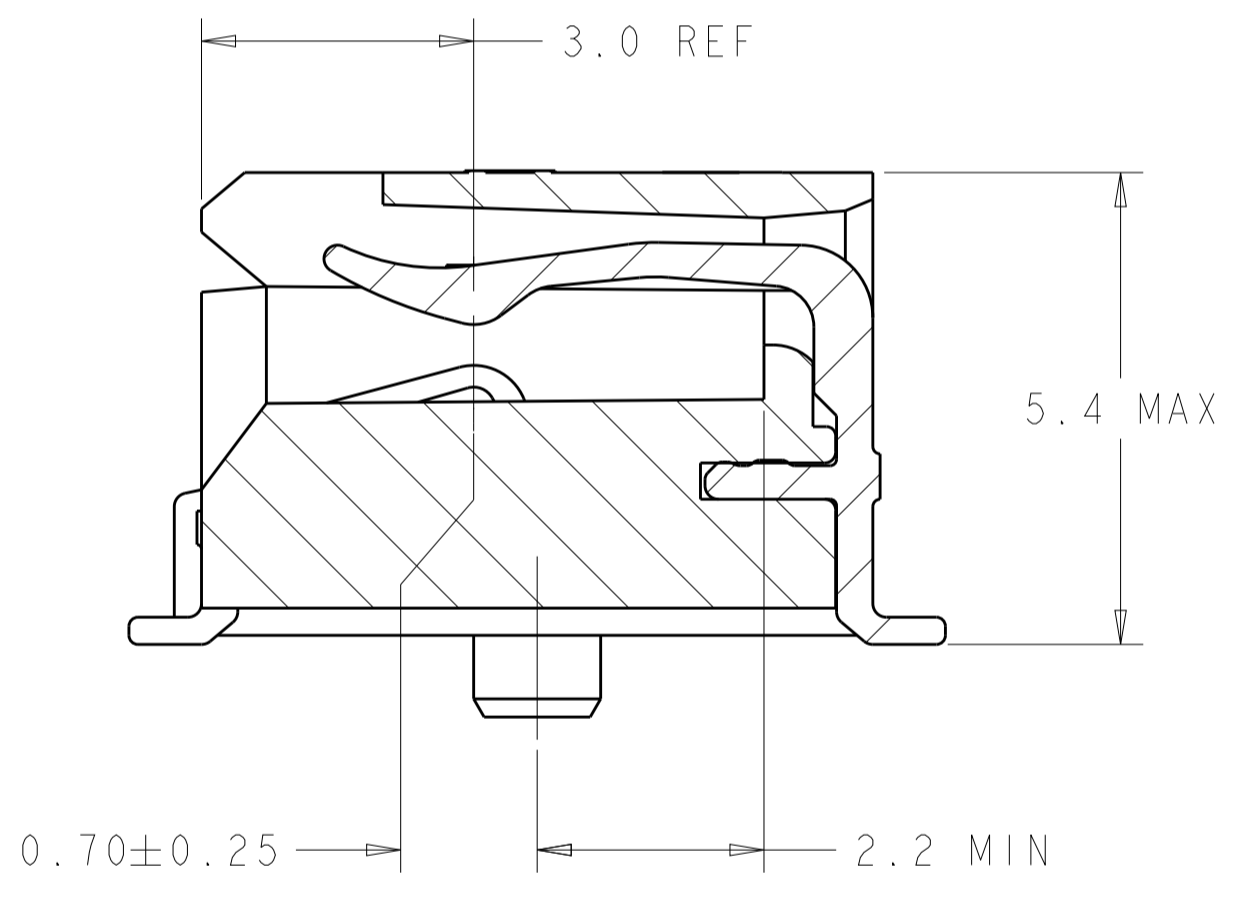
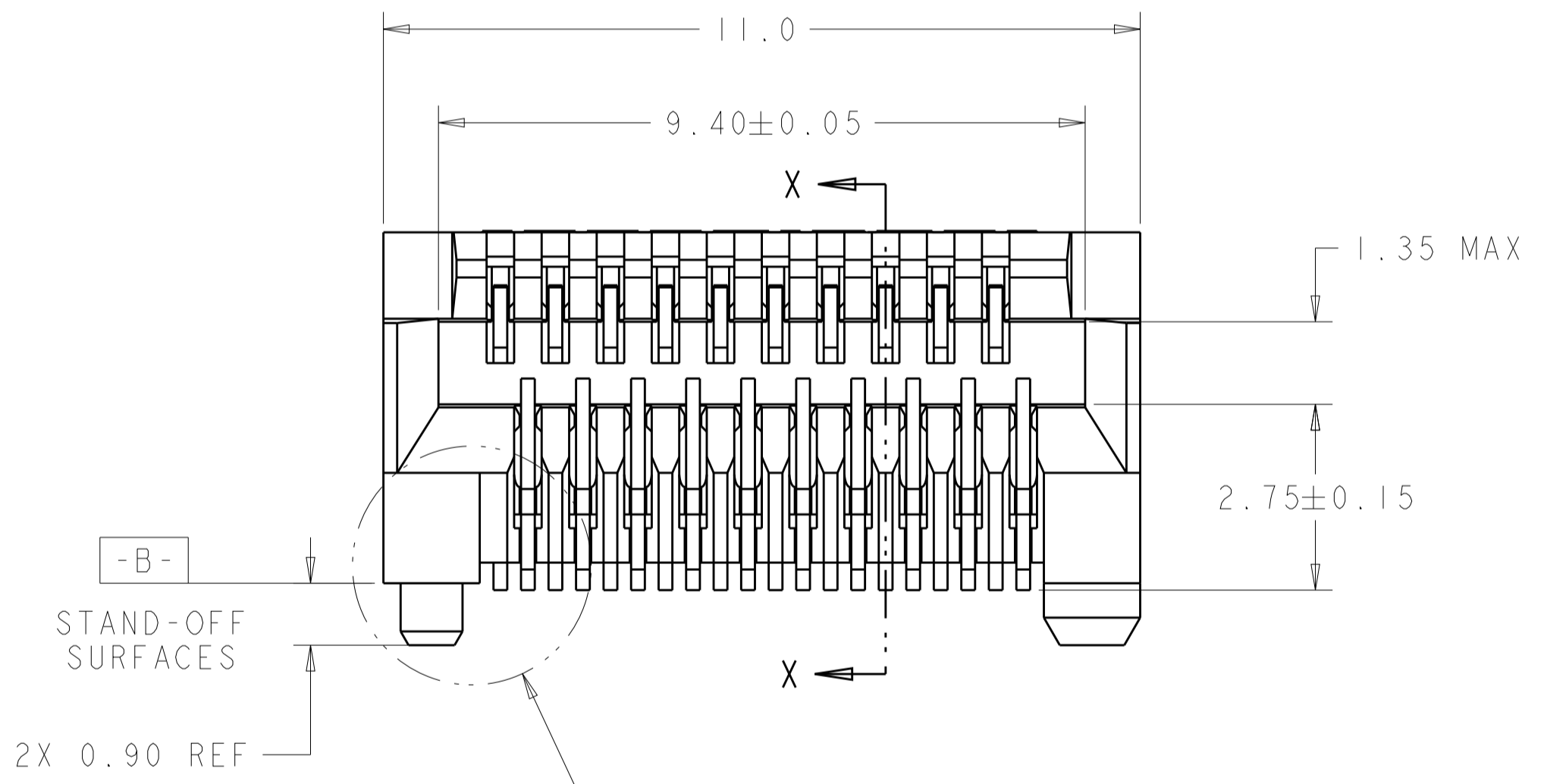
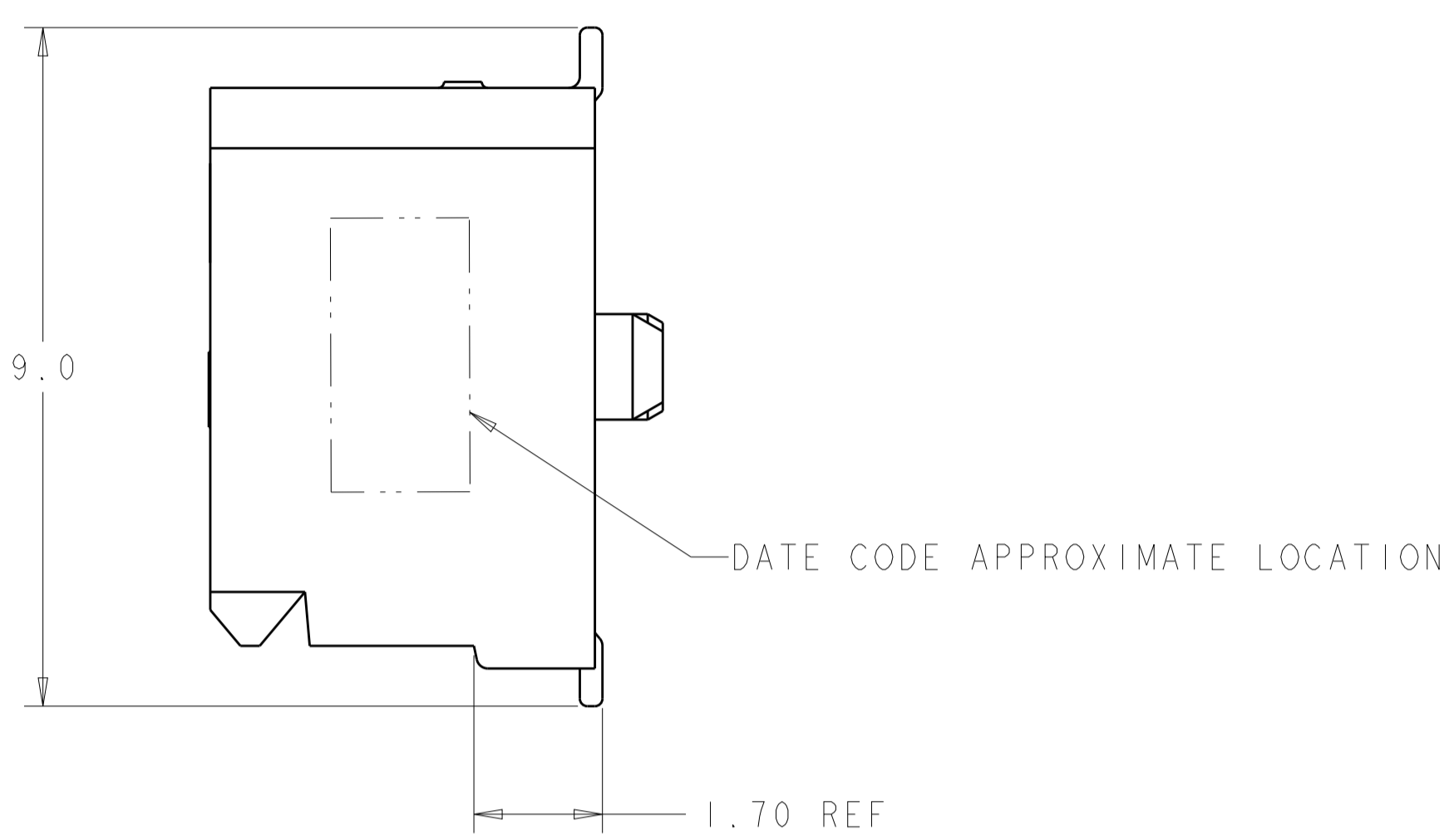
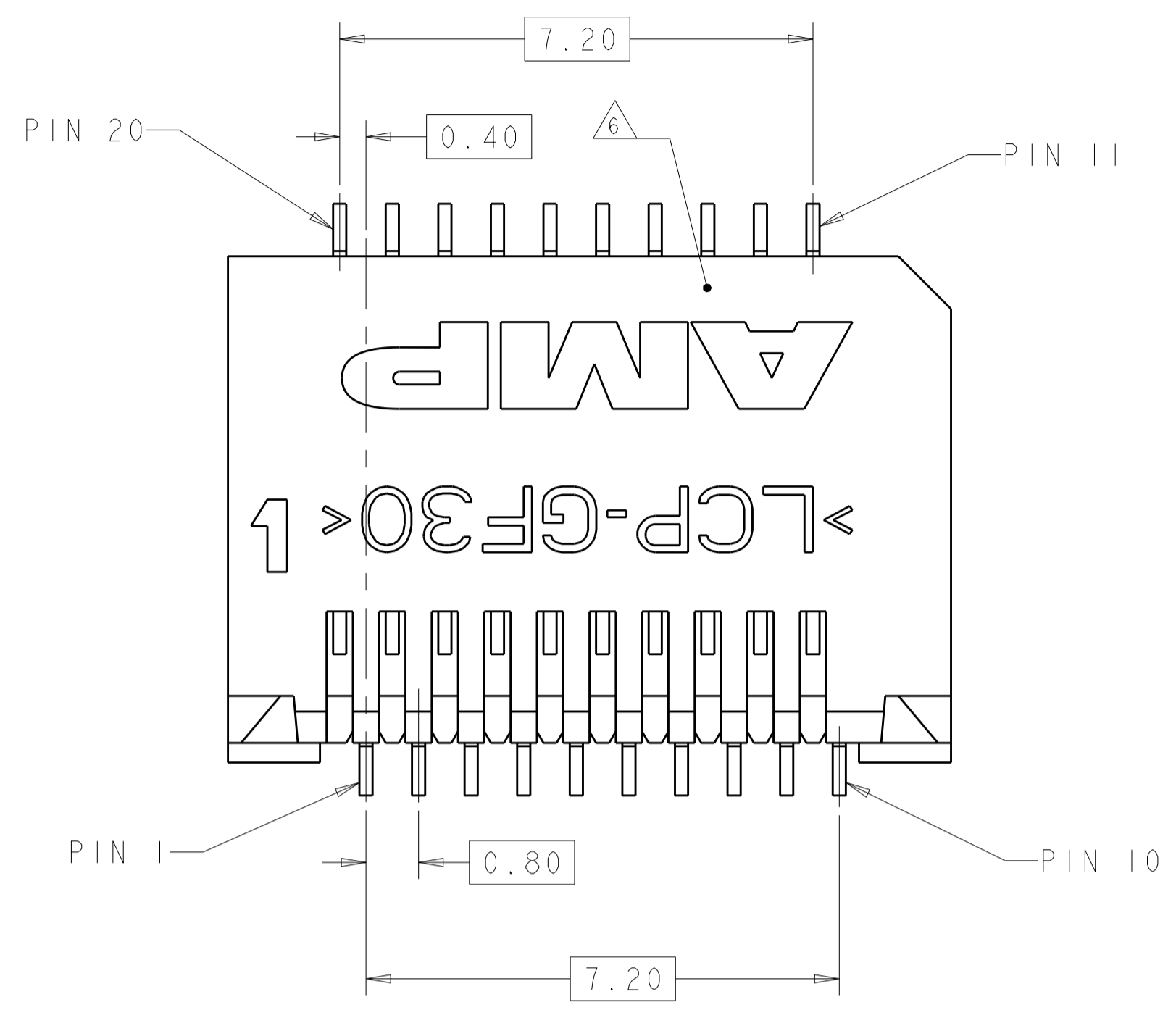


LOC	DIST	REVISIONS					
		P	LTN	DESCRIPTION	DATE	DWN	APVD
ES	00	L		REVISED PER ECO-15-018066	16DEC2015	PP	SH
		M		UPDATE NICKEL PLATING AND ADD NOTE 8	20JUN2017	JW	SH
		N		REVISED PER ECR-19-009785	24JUN2019	IT	SH
		N1		DIM MARKS CHANGE; ADD PN -7	10JUN2020	IT	SH



DETAIL H
SCALE 25:1

- 1 MATERIAL:
HOUSING: HIGH TEMPERATURE LCP, UL 94V-0 RATED, BLACK
CONTACTS: PHOSPHOR BRONZE.
- 2 FINISH:
CONTACTS: 0.00076 MIN GOLD ON CONTACT AREA, 0.00013 MIN GOLD ON SOLDER AREA. ALL OVER 0.00127 MIN NICKEL UNDERPLATE ON ENTIRE CONTACT. LUBRICANT ON GOLD PLATE CONTACT AREAS.
- 3. PACKAGED 480 PIECES PER REEL.
- 4 DATUMS AND BASIC DIMENSIONS TO BE ESTABLISHED BY CUSTOMER, SEE DRAWING 1367034 FOR LAYOUT WHEN USED WITH 1367034-1 BOTTOM CAGE (STANDARD SFP APPLICATION).
- 5 FINISH:
CONTACTS: 0.00038 MIN GOLD ON CONTACT AREA, 0.00013 MIN GOLD ON SOLDER AREA. ALL OVER 0.00127 MIN NICKEL UNDERPLATE ON ENTIRE CONTACT. LUBRICANT ON GOLD PLATE CONTACT AREAS.
- 6 PULL GROOVES PERMITTED ON THESE SURFACES AT MOLDING ENGINEERING DISCRETION
- 7 FOR ESD PROTECTION TAPE AND REEL PACKAGE ONLY. MATERIALS (COVER TAPE, EMBOSS TAPE, REEL, INNER LABEL ON REEL) USED WITH AN EPA AREA MUST PRIMARILY BE ELECTROSTATIC CONDUCTIVE OR ELECTROSTATIC DISSIPATIVE. NO MATERIAL SHOULD BE CHARGED UP TO MORE THAN 100 VOLTS.
- 8. TEMPERATURE RATING: -55°C TO 105°C
- 9 CUSTOMIZED PART NUMBER.

1888247-1,2,3,4,5,7 AS SHOWN

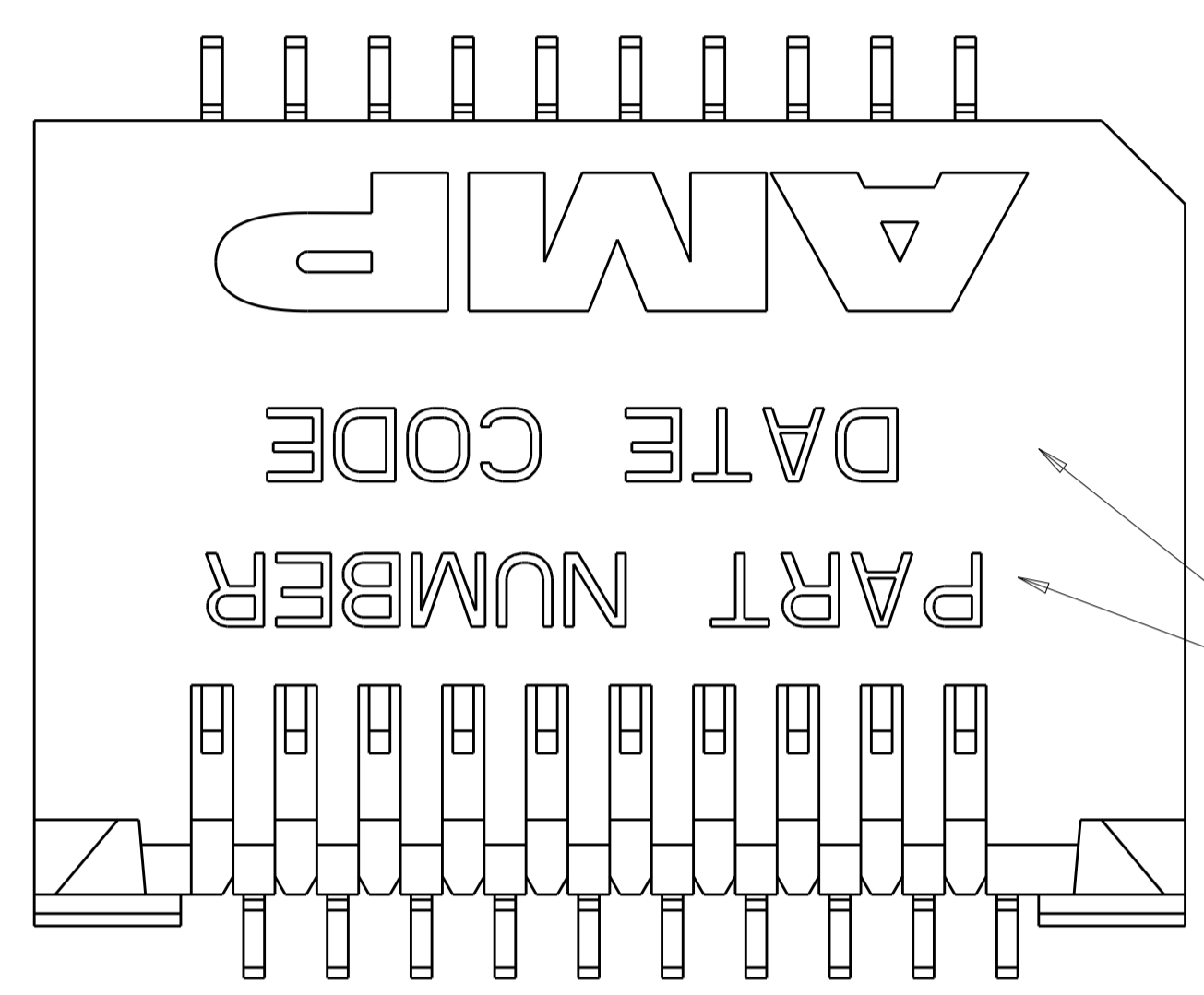
9	NO	2	1888247-7
7	NO	2	1888247-5
	YES	5	1888247-4
	YES	2	1888247-3
	NO	5	1888247-2
	NO	2	1888247-1
	DATE CODE	FINISH	PART NUMBER

DIMENSIONS:		TOLERANCES UNLESS OTHERWISE SPECIFIED:		MATERIAL:		FINISH:	
mm	0 PLC ±	1 PLC ±0.20	2 PLC ±0.10	3 PLC ±	4 PLC ±	ANGLES ±	FINISH -

THIS DRAWING IS A CONTROLLED DOCUMENT.	DWN B. MCMASTER 14FEB06	TE Connectivity	
CHK S. SHUEY 14FEB06	APVD S. SHUEY 14FEB06	NAME	
PRODUCT SPEC	108-1949	PT CONNECTOR ASSEMBLY, 20 POS, RIGHT ANGLE, 0.8mm PITCH, SFP+	
APPLICATION SPEC	114-13017	SIZE	RESTRICTED TO
WEIGHT	A100779	CAGE CODE	SCALE 12:1
CUSTOMER DRAWING	C=1888247	DRAWING NO	SHEET 1 OF 4
		REV	

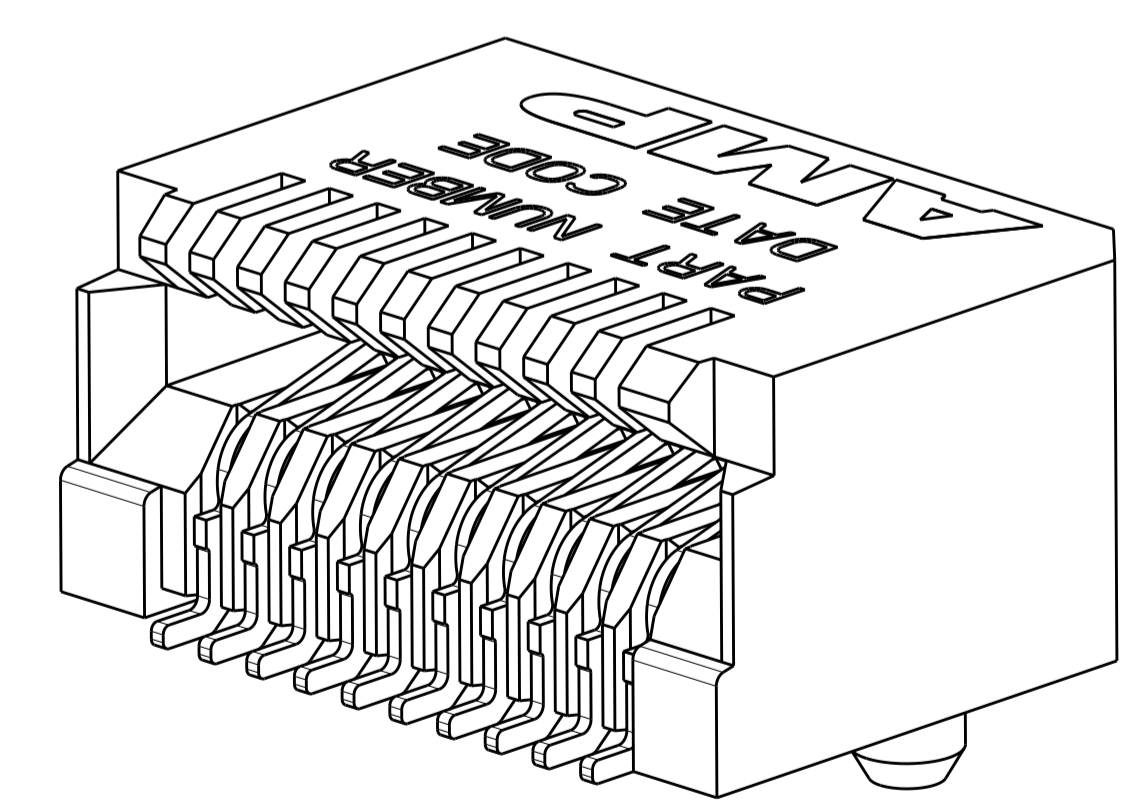
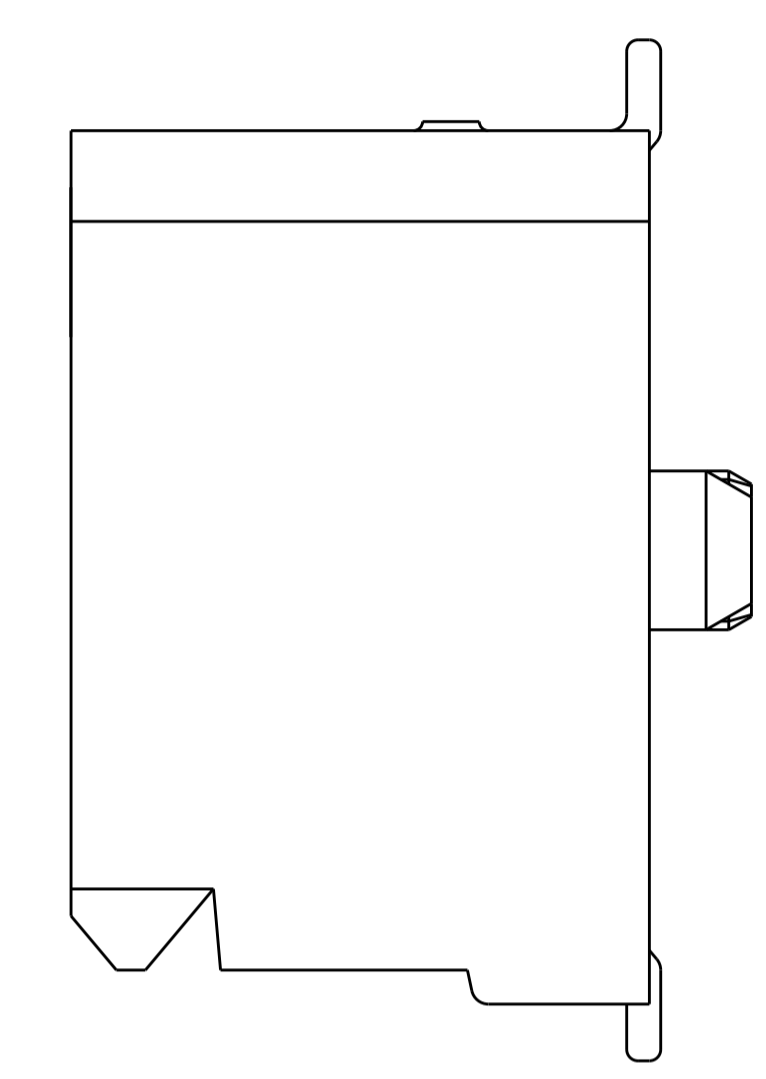
LOC		DIST		REVISIONS			
ES	00	P	LTH	DESCRIPTION	DATE	DMN	APVD
		-		SEE SHEET 1			

1888247-6 AS SHOWN
 PRINT PART NUMBER AND DATE CODE ON TOP
 ALL OTHERS SAME AS 1888247-2



PART NUMBER AND DATE CODE APPROXIMATE LOCATION

SCALE 15:1

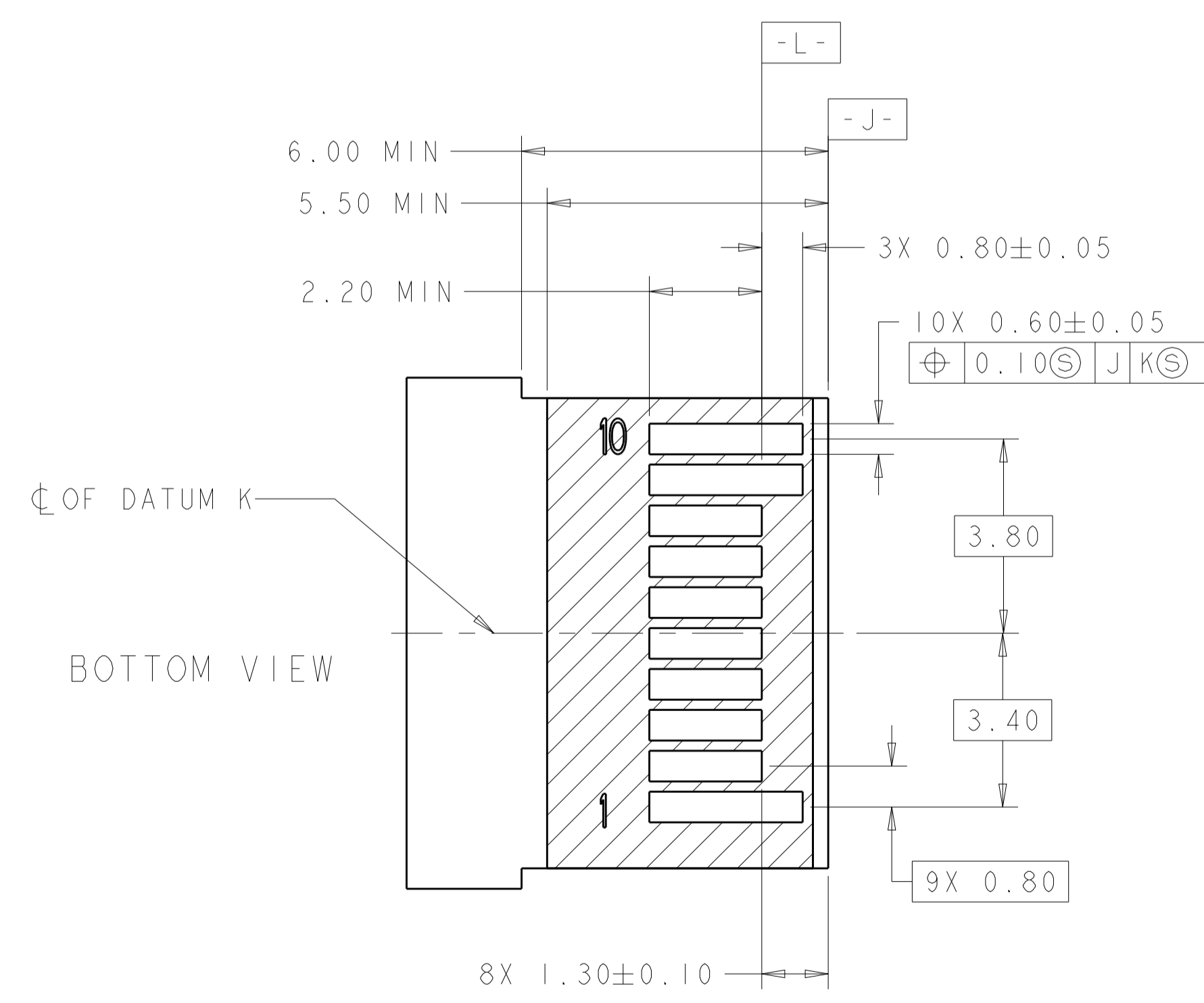
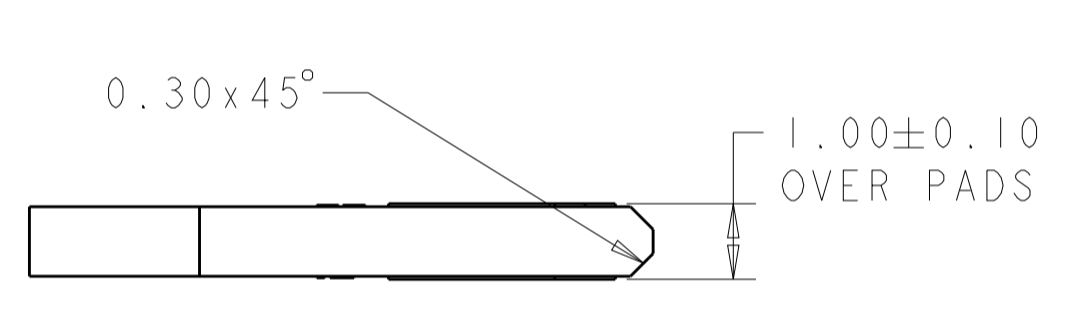
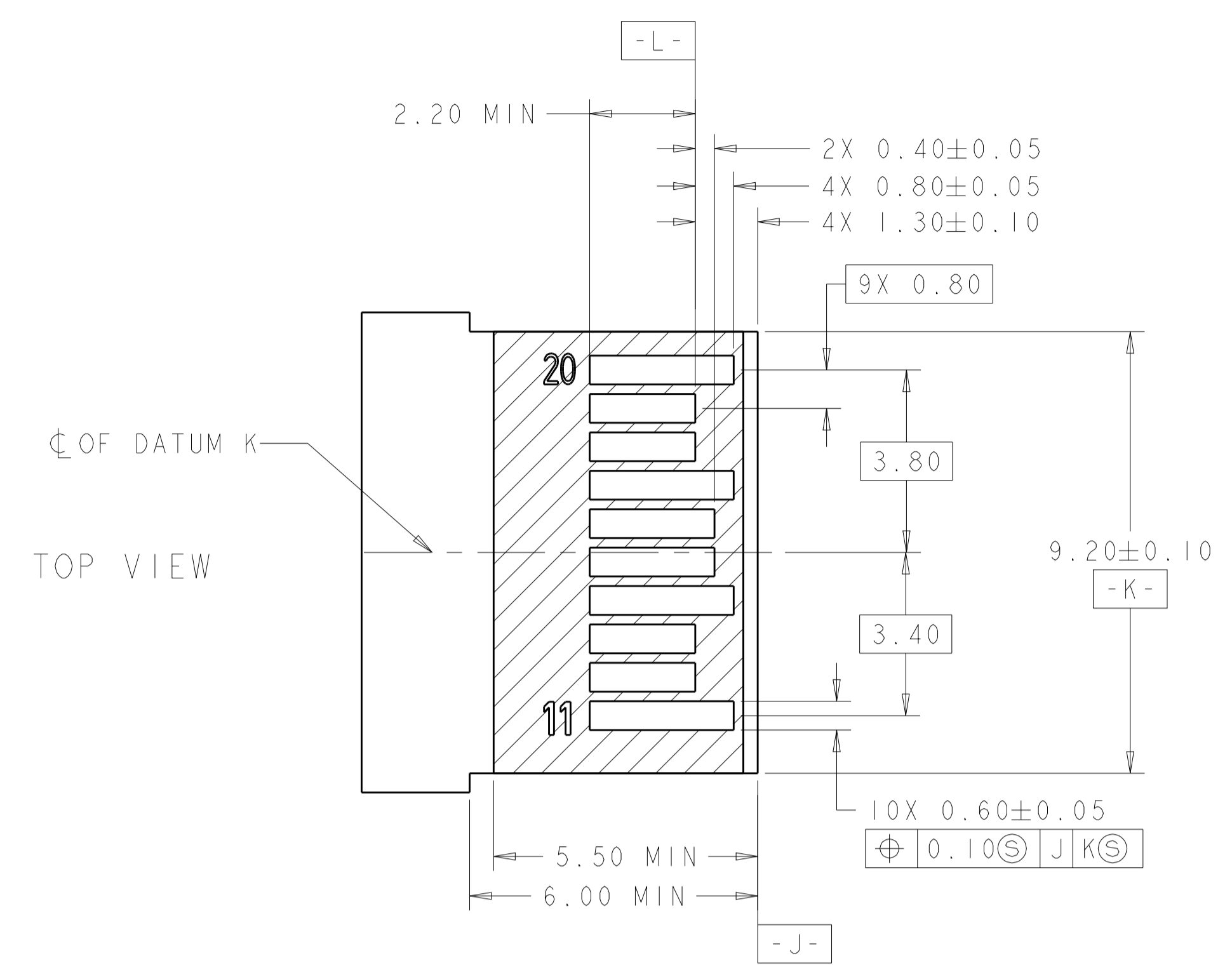


1888247-6 AS SHOWN

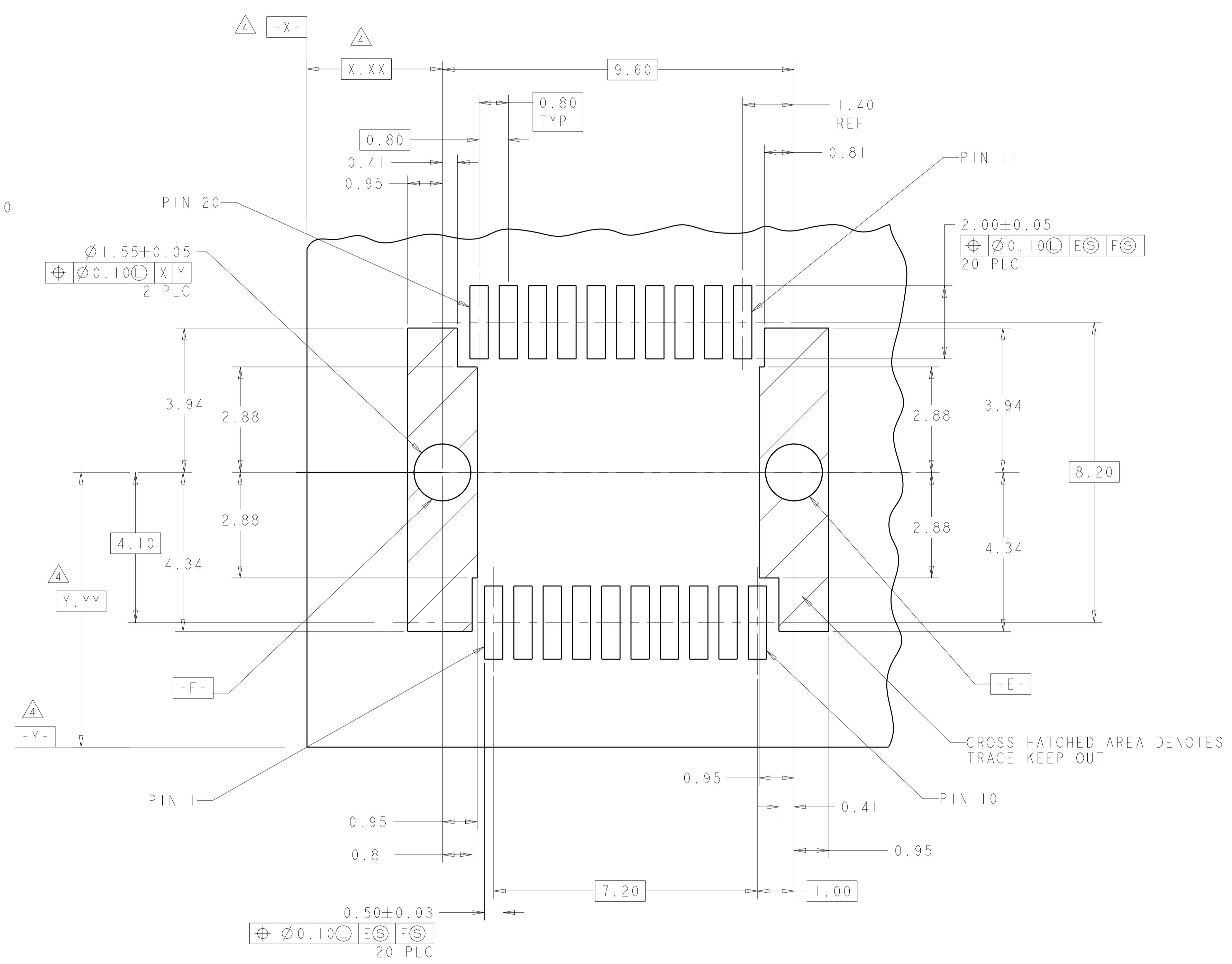
YES	YES	△	1888247-6
PART NUMBER	DATE CODE	FINISH	PART NUMBER

THIS DRAWING IS A CONTROLLED DOCUMENT.		DMN B. MCMASTER 14FEB06		NAME PT CONNECTOR ASSEMBLY, 20 POS, RIGHT ANGLE, 0.8mm PITCH, SFP+			
DIMENSIONS:		CHK S. SHUEY 14FEB06					
TOLERANCES UNLESS OTHERWISE SPECIFIED:		APVD S. SHUEY 14FEB06					
mm		PRODUCT SPEC 108-1949					
0 PLC	±	APPLICATION SPEC	SIZE	CAGE CODE	DRAWING NO	RESTRICTED TO	
1 PLC	±0.10	114-13017	A1	00779	1888247		
2 PLC	±	FINISH	CUSTOMER DRAWING		SCALE 12:1	SHEET 2 OF 4	REV N
3 PLC	±						
4 PLC	±						
ANGLES	±						
MATERIAL							

LOC		DIST		REVISIONS			
ES	00	P	LTN	DESCRIPTION	DATE	DMN	APVD
		-		SEE SHEET 1			



RECOMMENDED LAYOUT DETAIL
 MATING TRANSCEIVER PCB
 SCALE 10:1

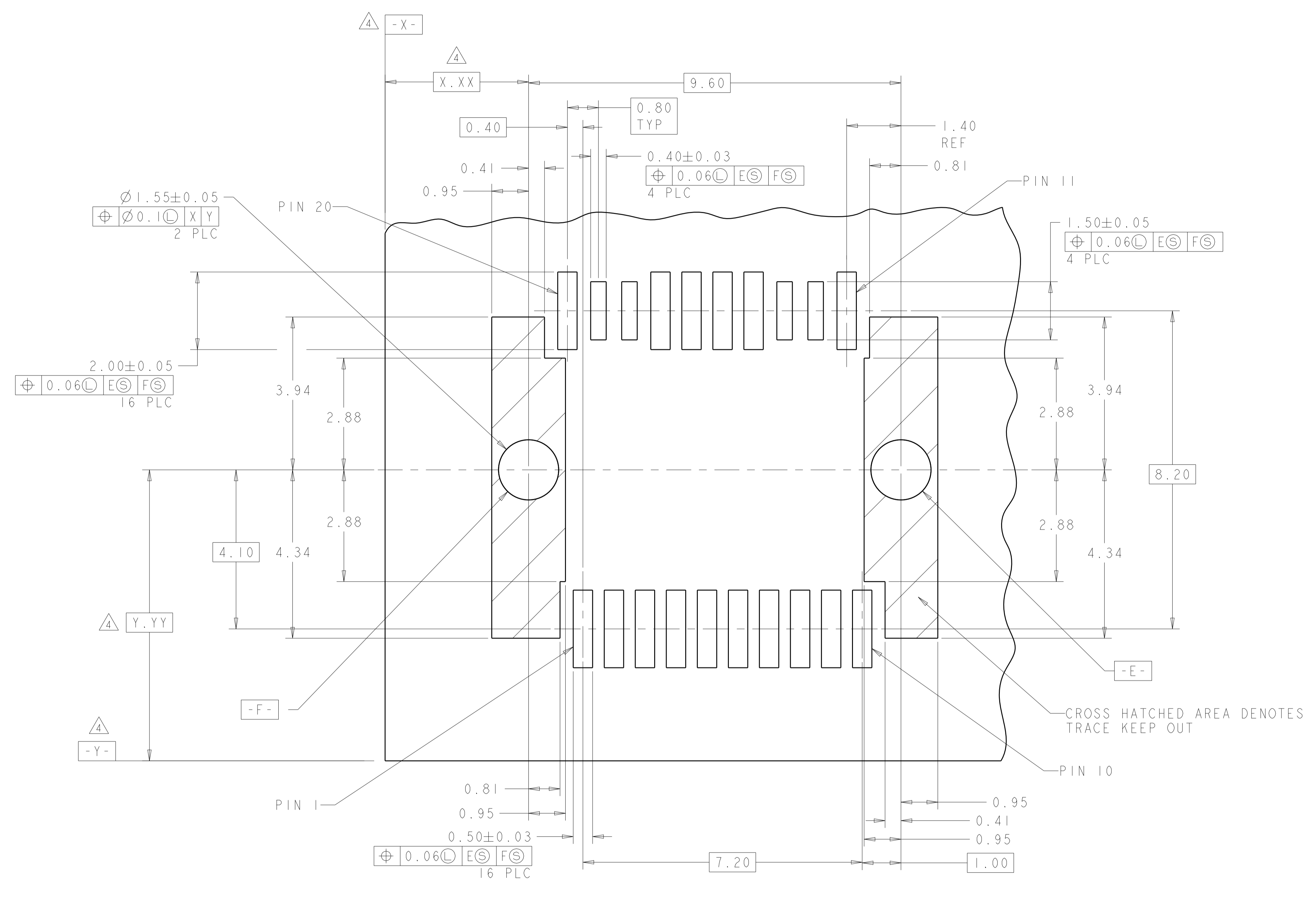


RECOMMENDED PCB LAYOUT DETAIL
 CONNECTOR MOUNTING SIDE
 SCALE 14:1

THIS DRAWING IS A CONTROLLED DOCUMENT.		DMN: B. MCMASTER 14FEB06	TE Connectivity
DIMENSIONS: mm		CHK: S. SHUEY 14FEB06	
TOLERANCES UNLESS OTHERWISE SPECIFIED:		APVD: S. SHUEY 14FEB06	NAME: PT CONNECTOR ASSEMBLY, 20 POS, RIGHT ANGLE, 0.8mm PITCH, SFP+
0 PLC ±	1 PLC ±0.10	PRODUCT SPEC: 108-1949	SIZE: A1
2 PLC ±	3 PLC ±	APPLICATION SPEC: 114-13017	CAGE CODE: 1888247
4 PLC ±	ANGLES ±	WEIGHT: -	RESTRICTED TO: -
MATERIAL:	FINISH: -	CUSTOMER DRAWING	SCALE: 12:1 SHEET 3 OF 4 REV: N1

LOC	DIST	REV	DATE	BY	APPV
ES	00				

REVISIONS					
REV	DATE	DESCRIPTION	BY	APPV	DATE
-	-	SEE SHEET 1	-	-	-



OPTIONAL LAYOUT FOR IMPROVED
 SIGNAL INTEGRITY, MOUNTING SIDE
 SCALE 16:1

THIS DRAWING IS A CONTROLLED DOCUMENT.		DWN B. MCMASTER 14FEB06 CHK S. SHUEY 14FEB06 APVD S. SHUEY 14FEB06	TE Connectivity
DIMENSIONS: mm 	TOLERANCES UNLESS OTHERWISE SPECIFIED: 0 PLC ± 1 PLC ±0.10 2 PLC ± 3 PLC ± 4 PLC ± ANGLES ±	NAME PRODUCT SPEC APPLICATION SPEC 108-1949 114-13017	
MATERIAL	FINISH	WEIGHT CUSTOMER DRAWING	SIZE CAGE CODE DRAWING NO A100779C=1888247 RESTRICTED TO SCALE 12:1 SHEET 4 OF 4 REV N1

Mouser Electronics

Authorized Distributor

Click to View Pricing, Inventory, Delivery & Lifecycle Information:

[TE Connectivity:](#)

[1888247-1](#)